



INSTALLATION INSTRUCTIONS

MOUNTING KIT

2010-CURRENT Dodge 2500 & 3500

DEALER/INSTALLER:

- (1) Read all instructions before installation
- (2) Provide this Manual to end user.

END USER:

- (1) Save this Manual for future reference.
- (2) Pass on copies of Manual to any other user or owner of Hitch.

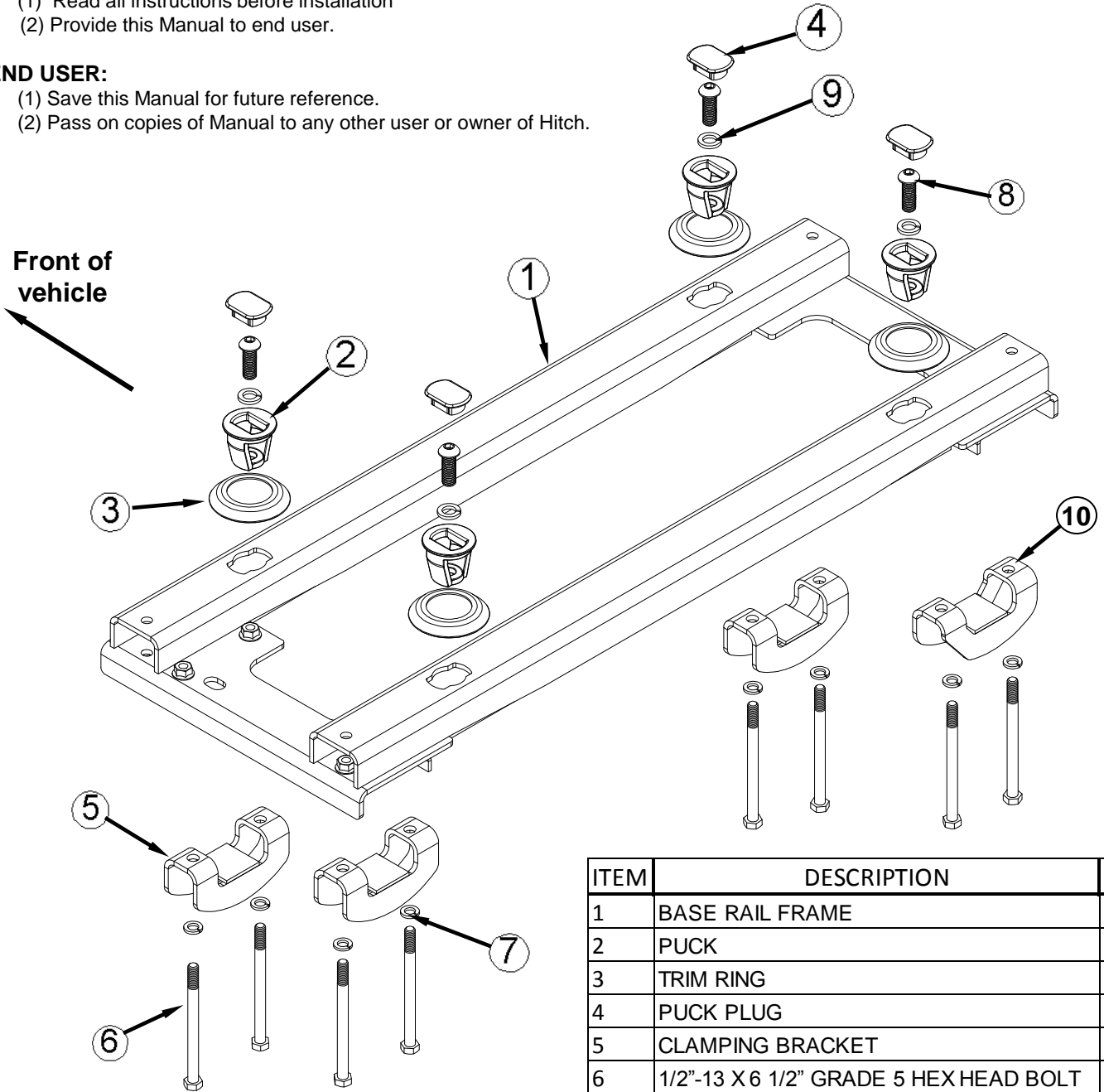


Figure 1

ITEM	DESCRIPTION	QTY.
1	BASE RAIL FRAME	1
2	PUCK	4
3	TRIM RING	4
4	PUCK PLUG	4
5	CLAMPING BRACKET	3
6	1/2"-13 X 6 1/2" GRADE 5 HEX HEAD BOLT	8
7	1/2" LOCK WASHER	8
8	5/8"-11 X 1 3/4" BUTTON HEAD SCREW	4
9	5/8" LOCK WASHER	4
10	PASS. REAR CLAMPING BRACKET	1

For Installation Assistance or Technical Help, Call 1-888-521-0510

⚠ WARNING:

Failure to follow all of these instructions may result in death or serious injury!

INDEX

1. GUIDELINES FOR MATCHING TOW VEHICLE AND TRAILER	P. 2-4
2. ASSEMBLY INSTRUCTIONS	P. 5-9
3. CEQUENT PERFORMANCE PRODUCTS, INC. LIFETIME LIMITED WARRANTY	P. 10

GUIDELINES FOR MATCHING HITCH TRUCK AND TRAILER

⚠ WARNING:

Failure to check and follow tow ratings could result in tow vehicle damage or truck and trailer separation while towing.

- Trailer and its contents together must not exceed truck, hitch and/or trailer tow ratings.
- Tow vehicle must have a manufacturer’s rated towing capacity equal to or greater than the gross trailer weight (dry weight of the trailer plus payload of the trailer). (Figure 2)
- Gross weight of trailer must not exceed fifth wheel hitch rating.
- King pin weight must not exceed fifth wheel rating (Figure 3). If in doubt have king pin weight measured by a qualified technician.

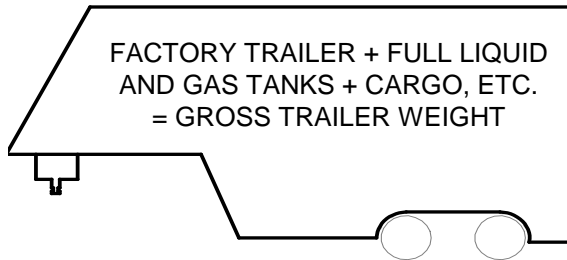


Figure 2

1. Check Tow Ratings:
 Vehicle Tow Rating: _____.
REESE® Elite™ Series Hitch Rating: _____.
 Gross Trailer Weight (**Figure 2**): _____.
***Trailer weight should be the lowest of these recorded ratings for safe towing conditions.**
2. Cequent Performance Products, Inc. hitches are designed for use with recreational fifth wheel trailers only.
3. Use only a SAE 2" kingpin with your *REESE® Elite™ Series* Fifth Wheel Hitch.
4. Approximately 15%-25% of trailer weight should be on hitch (Pin Weight)(**Figure 3**).

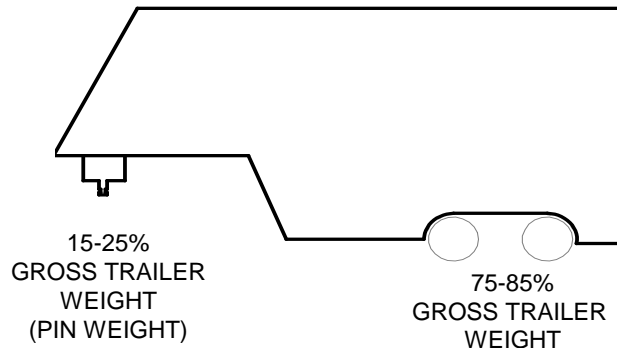


Figure 3

5. Trucks come in many different configurations. Cequent Performance Products, Inc. hitches are designed for use in light trucks such as the Dodge Ram. Cequent Performance Products, Inc. recommends the use of long bed (8') light trucks for the best combination in truck - trailer turning clearance.

Rule of thumb: The distance from the back of the truck cab to the center of the rear truck axle ("X" in **Figure 4**), should be approximately 4" greater than one-half the trailer width ("Y" in **Figure 4**)

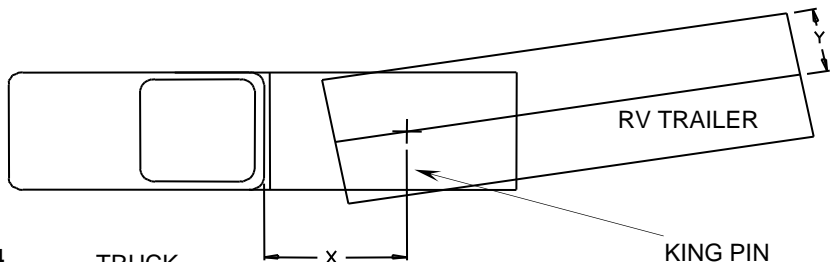


Figure 4

6. If a short bed pickup (less than 8' but longer than 6') is to be used for towing, Cequent Performance Products, Inc. recommends the trailer be equipped with an extended pin box to help gain additional truck - trailer turning clearance (See trailer manufacturer for options) (**Figure 5**). It also may be helpful to add a REESE® Elite™ Series Slider (**Part # 30070**) for increased turning clearance for low speed, non-highway maneuvering.

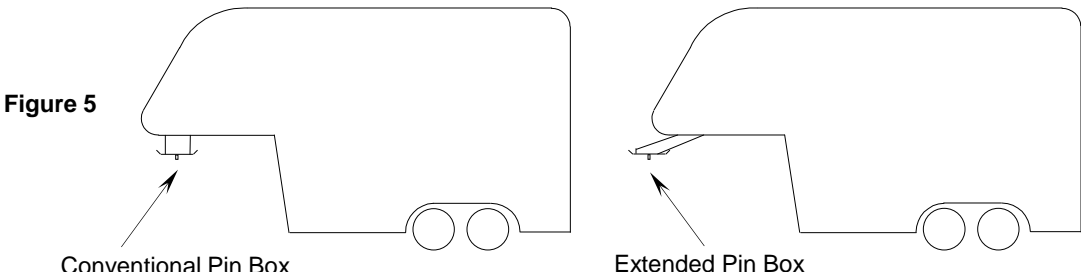
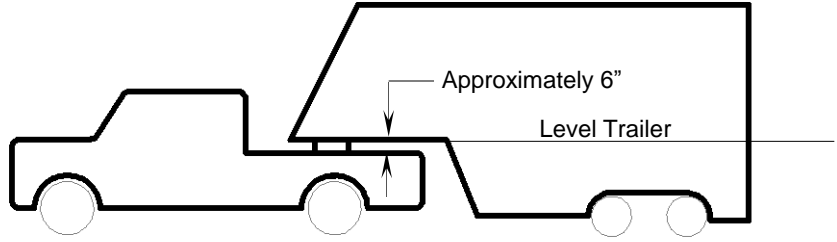


Figure 5

WARNING:
Do Not install this fifth wheel hitch on or attempt to tow with a short bed pickup truck that has a bed shorter than 6' unless trailer is equipped with a Sidewinder™ pin box!

7. The height of the hitch and the pin box should be adjusted so the trailer is approximately level as it is towed. Allow approximately 6" clearance between the top of the pickup walls and the underside of the front of the trailer for pitch and roll of the trailer. (**Figure 6**). Allow more clearance between pickup walls and trailer for off road use.

Figure 6



CAUTION:

The measurements above are guidelines. If your measurements are close to these numbers re-check clearances. If vehicle and/or trailer has any added bed vicinity accessories (i.e. fairings, air dams, ground effects, bed rails, etc.). Additional dimensioning and clearance checks have to be made.

8. Hitch height determination:

With trailer level and on level ground measure from the ground to the king pin box ("A" in **Figure 7**). Secondly measure the height of the inside of the truck bed ("B" in **Figure 7**). Determine the amount of clearance over the side rails ("C" and "D" in **Figure 7**), as mentioned in **step 7**.

$$\text{Hitch Height} = A - B + 2''$$

The 2" value is an estimate of suspension compression due to king pin weight of the trailer. This compression could range between 1"-5" depending on the truck being used and the trailer being towed.

$$D - C + 2'' > 6'' \text{ as in step 7.}$$

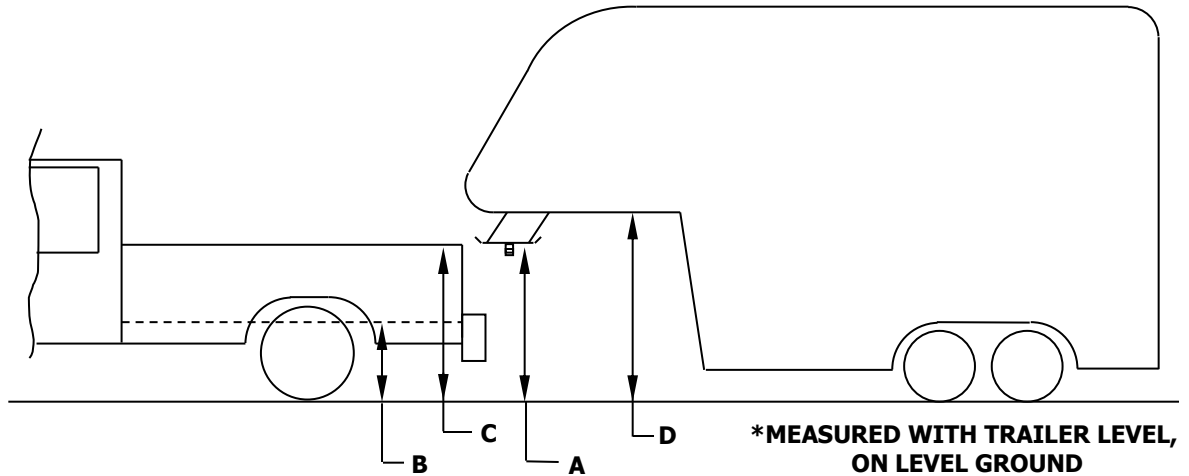


Figure 7

9. If a lube plate is to be used with a *REESE® Elite™ Series* fifth wheel it must be at least 12" in diameter. Cequent Performance Products, Inc. offers this optional lube plate as part # 83001.

⚠ WARNING:

- Connection for trailer wiring must be located at the side of the truck bed between the driver's seat and the rear wheel to prevent operators from working between the truck and trailer.
- Avoid putting any part of your body under the trailer or between the truck and trailer. Unexpected or accidental movement of the truck or the trailer can cause serious injury or death
- If you must place any part of your body under the trailer or between the truck and trailer you **MUST** perform **ALL** of the following steps:
 - Check that the truck transmission is in park
 - Check that the emergency brake is on
 - Block in front of and behind all trailer tires
 - Check that the trailer landing gear are resting on firm ground

GENERAL INSTRUCTIONS FOR FIFTH WHEEL INSTALLATION

TOOLS

3/8" Allen socket	Ratchet
18mm socket	200 lb-ft Torque Wrench
3/4" Hex socket	3-1/4" Hole Saw OR 3-1/4" Knockout Punch

CAUTION!

Read page 2-4 of these instructions before starting installation. Failure to do so could result in significant vehicle damage!

1. The following instructions should be used to mount the fifth wheel. Care and attention to detail will ensure a quick quality installation. Check parts against parts list to become familiar with parts in kit. (**Figure 1**)



WARNING:

If the truck is raised, be sure that the truck is properly blocked and restrained to prevent the truck from falling. Failure to do so may result in the truck suddenly falling, causing death or serious injury.

2. Use only Cequent Performance Products, Inc. supplied bolts, nuts, and washers to install this kit. All bolts and nuts are Grade 5 unless specified otherwise.
3. These instructions are intended for a specific group of trucks. Each frame bracket must be bolted to the vehicle frame with two bolts.

CAUTION:

These instructions are guidelines only. Actual installation is the responsibility of the installer and the owner. Always measure truck and trailer before installing hitch to be sure that there is clearance at the cab and at the bumper to allow for turns.

4. Using the drivers side edge of the bed corrugation, find the center of the truck bed. Measure the locations of the holes that will need to be cut using **Figure 8** (long bed application) **or Figure 9** (short bed application). If a plastic drop-in bed liner is used cut 19" X 4" slots in liner measured from center of holes in truck bed. **Remove plastic bed liner if applicable** . Spray-in bed liners and bed mats less than 1/4" thick will work with normal installation instructions. **Note:** Consult installer for recommended curing time on spray-in liner before cutting holes through bed. If the *REESE® Elite™ Series* slider fifth wheel assembly is used, then see fifth wheel slider assembly instructions for slot cut dimensions.

CAUTION:

Check for obstructions before drilling. Failure to do so could result in damaged fuel/brake lines, structural members, etc. Cequent Performance Products, Inc. does its best to communicate tow vehicle manufacturer changes; however, it is ultimately the responsibility of the installer to prevent damage due to installation.

5. Drill 1/8" pilot hole in truck bed per measurements. With hole saw or knockout punch to enlarge hole to 3-1/4". Plastic bed liner will need to be removed before drilling or punching out. Bed liner will need to be cut as noted in general instruction #4 on page 5. Optional: Spray under coating around 3-1/4" holes to prevent rusting.

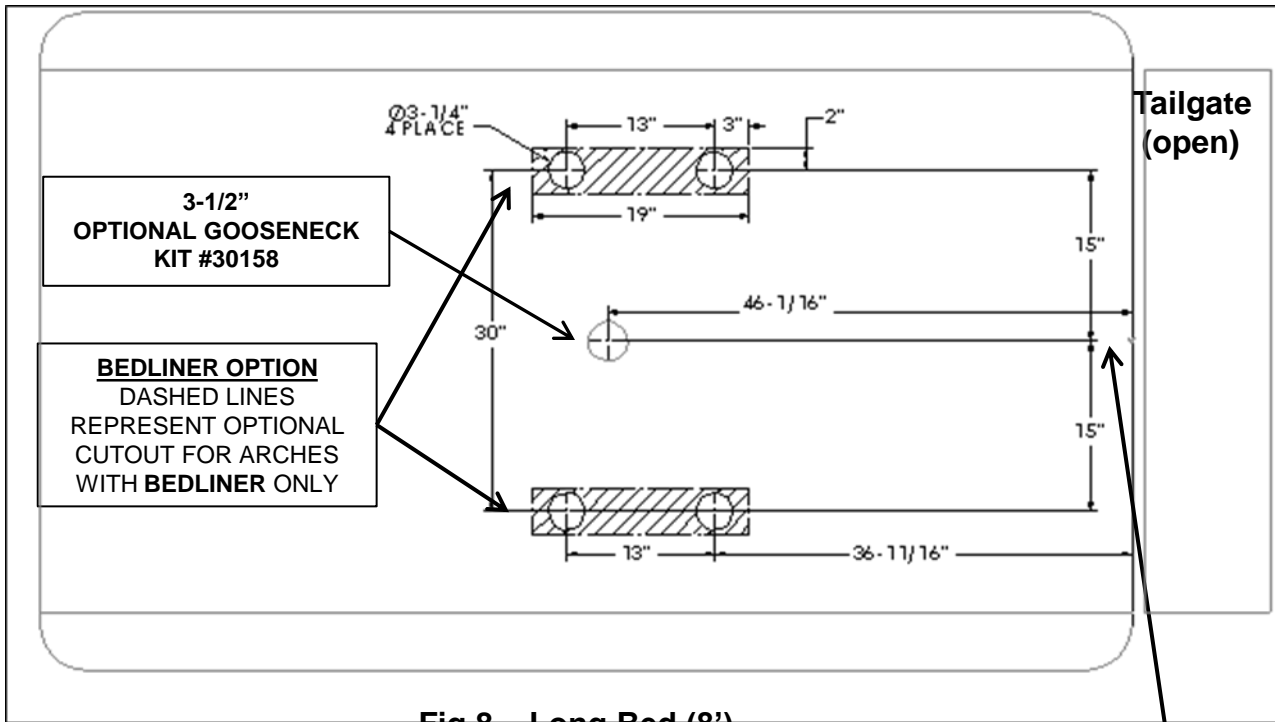


Fig 8 – Long Bed (8')

Locate center of truck bed

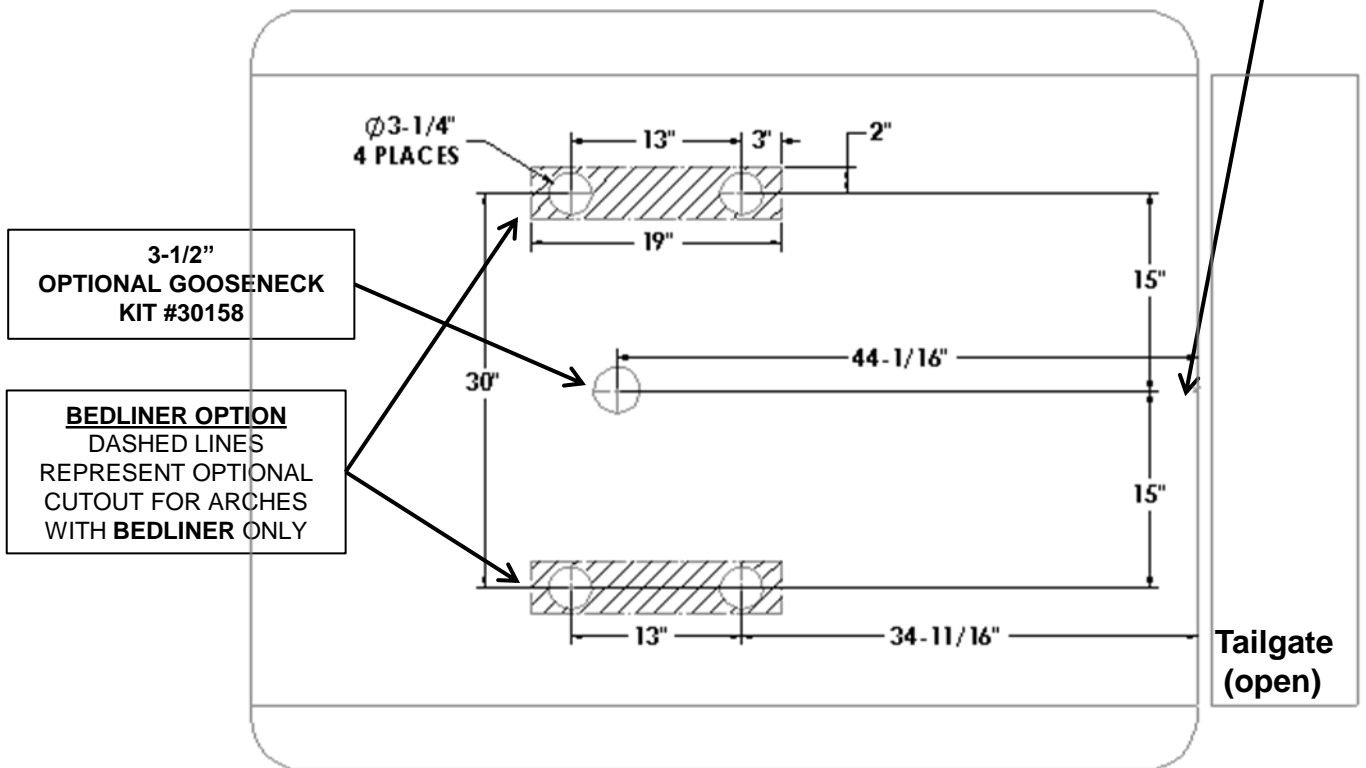


Fig 9 - Short Bed (6')

- Remove ground wire from the frame. Use an 18mm socket to remove all of the bed bolts. Then raise and support the truck bed.
- Insert base rails as shown in the following steps (**Figures 10 through 13**). Refasten truck bed bolts after rails are inserted. Torque bed bolts to 75 ft. lbs.

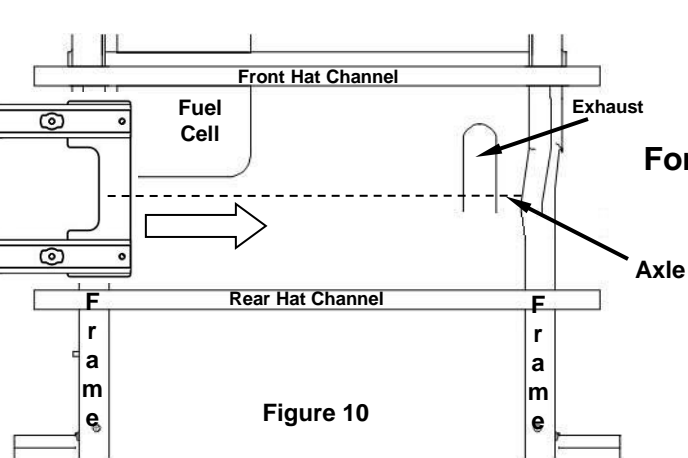


Figure 10

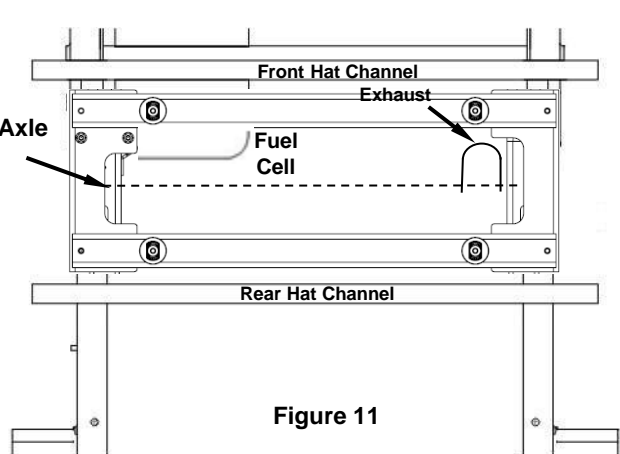


Figure 11

Step 1 : Slide the base rail system in between the hat channels. Lift and position it so that it rests on the frame.

Step 2 : Position the base rail system near the rear hat channel as shown so that it rests evenly on both sides of the frame.

- Loosely attach clamping brackets (5) to frame using 1/2" x 6.5" hex head bolts (6) and 1/2" lock washers (7). Hand tighten keeping the flat portion of the bracket even on the bottom of the frame. (**Figure 12**). Be sure that the rail holes align with holes in the bed.

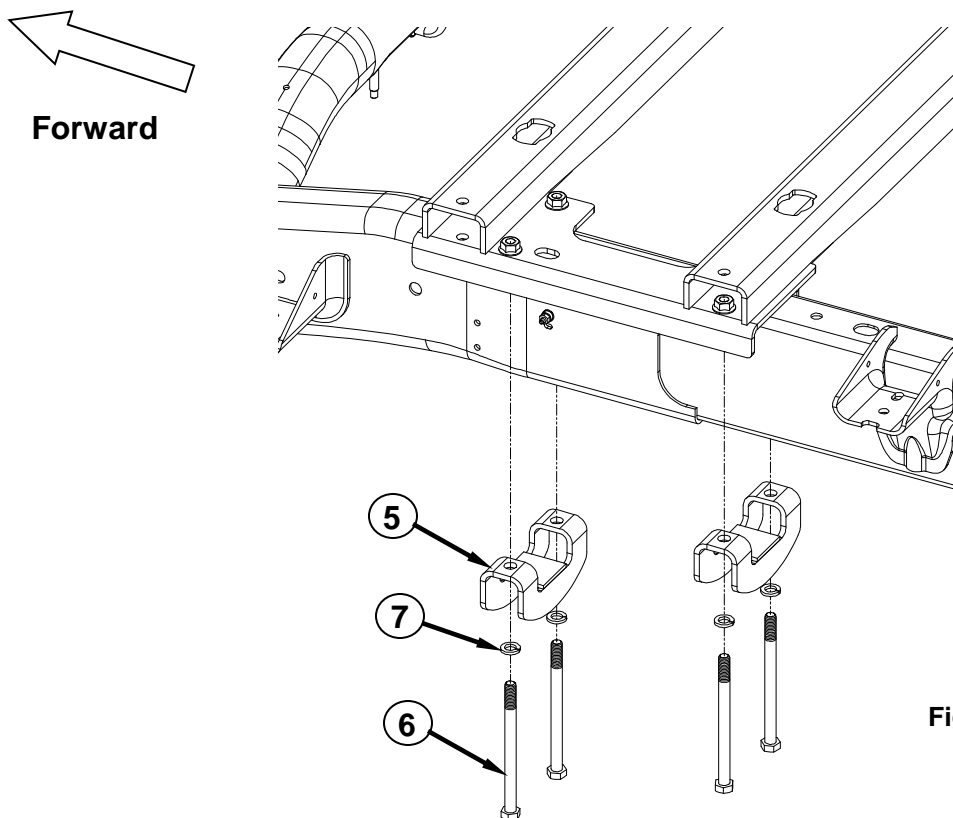


Figure 12

9. Repeat for other side of truck. (Figure 13).

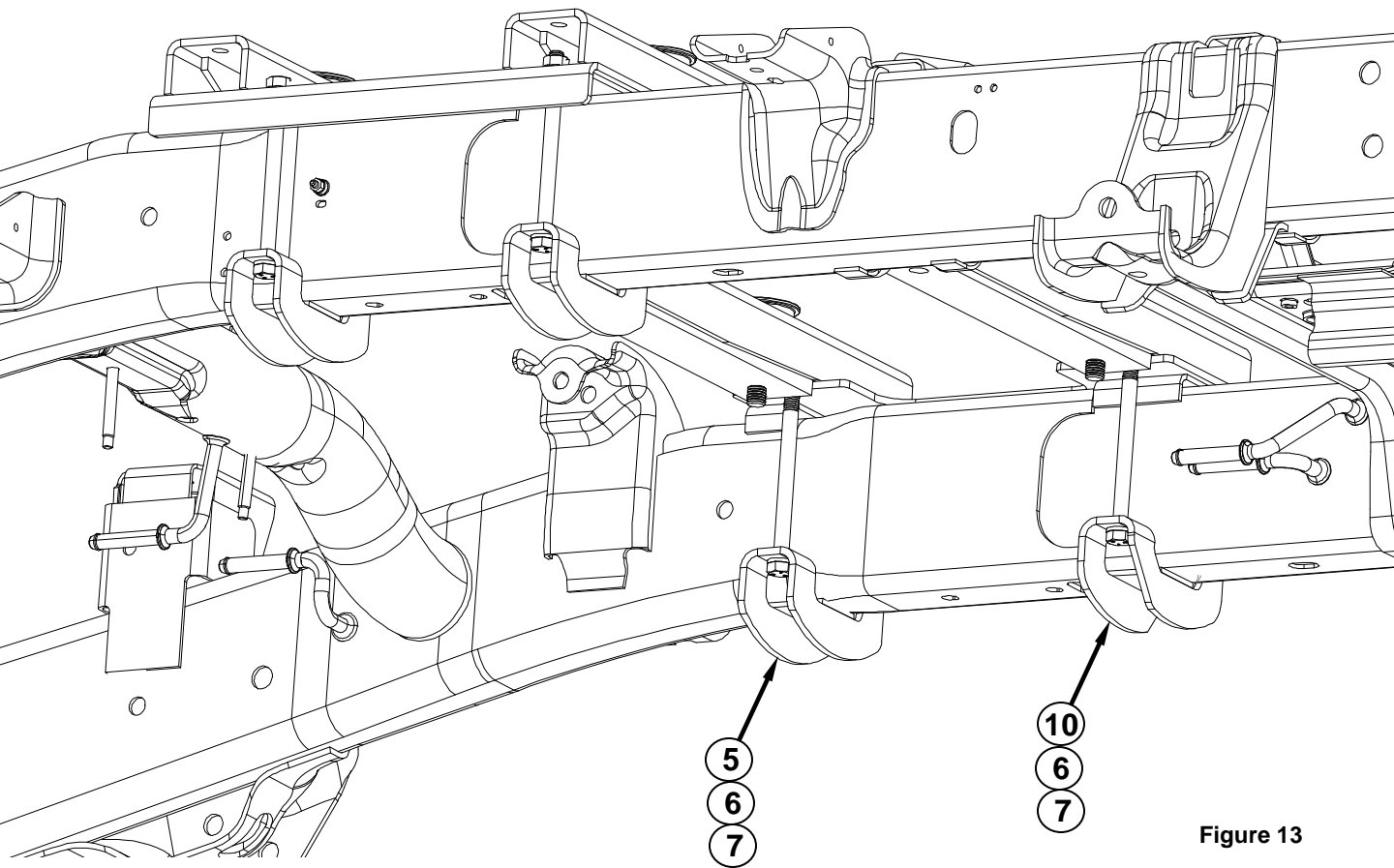


Figure 13

NOTE: Tighten both sides simultaneously to keep brackets even. The bolts (6) should be tightened to 75 ft-lbs.

- From inside the truck bed, attach pucks (2) and trim rings (4) to rails (1) using button head screw (8) and lock washer (9) (**Figure 14**). Tighten to 110ft.lbs. torque.


WARNING:
 DO NOT lubricate threads. It may cause bolt failure.

Figure 14

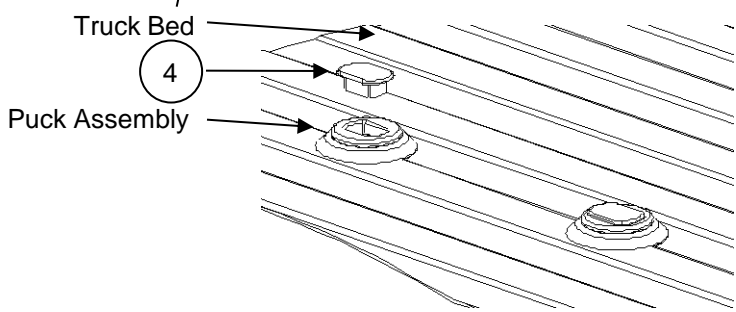
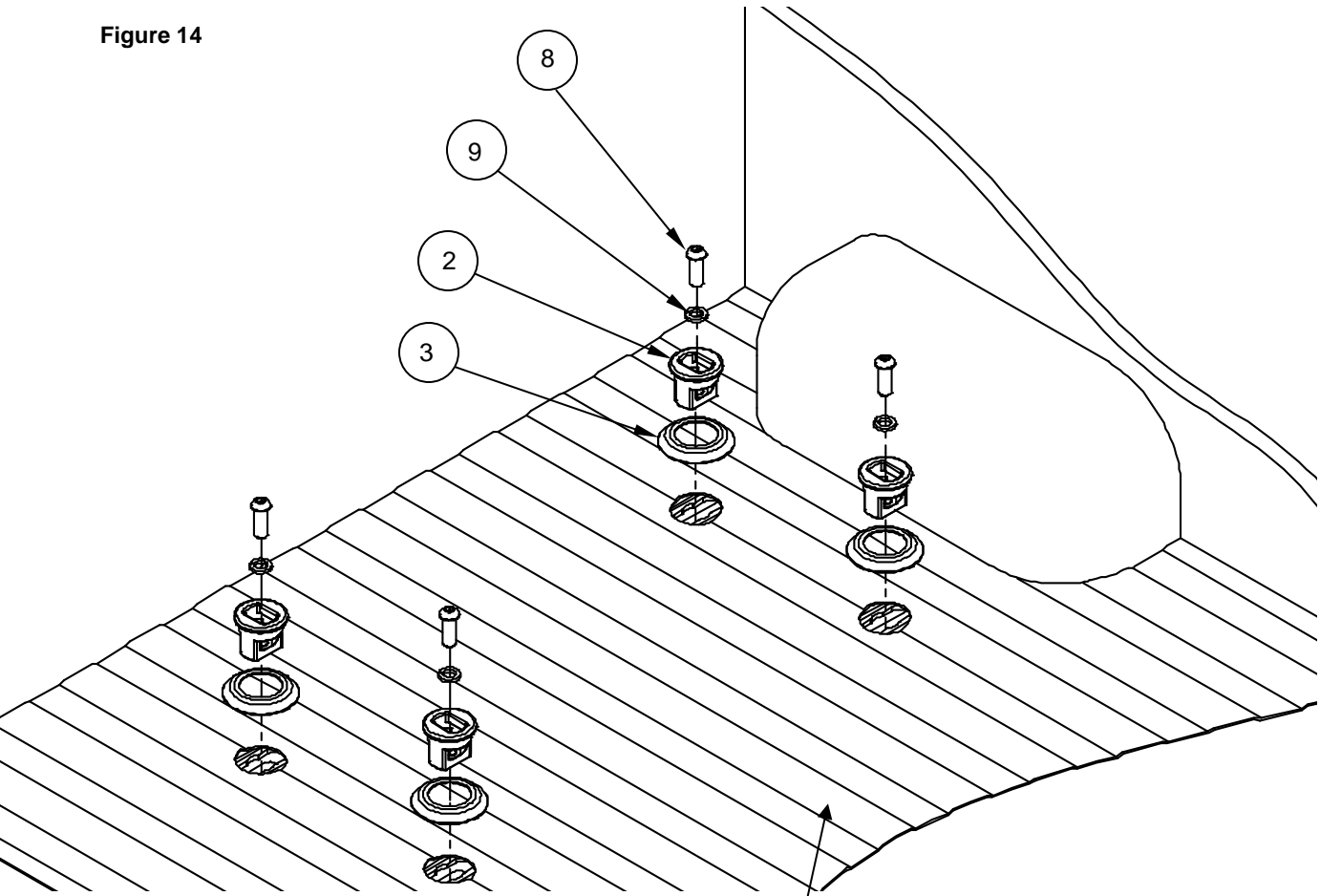


Figure 15

- Insert puck plugs (2) (as shown) whenever pucks are not in use. (**Figure 15**)
- Install *REESE® Elite™ Series* fifth wheel per hitch assembly instructions.
- Make sure all 1/2" bolts are torqued to 75 ft. lbs., 5/8" bolts are torqued to 110 ft. lbs, and bed bolts are torqued to 75 ft. lbs.
- Re-attach ground wire.

NOTES

LIFETIME LIMITED WARRANTY

Cequent Performance Products Inc. (“We” or “Us”) warrants the Elite Series 5th Wheel Hitch Mounting Kits to the original consumer purchaser only (“You”) that the product will be free from material defects in both material and workmanship, ordinary wear and tear expected; provided that installation and use of the product is in accordance with product instructions. There are no other warranties, express or implied, including the warranty of merchantability or fitness for a particular purpose. This warranty is not transferable.

This warranty does not cover: (a) normal wear and tear; (b) damage through abuse, neglect, misuse, or as a result of any accident or in any other manner; (c) damage from misapplication, overloading, or improper installation; (d) improper maintenance and repair; and (e) product alteration in any manner by anyone other than Us, with the sole exception of alterations made pursuant to product instructions and in a workmanlike manner.

To make a Warranty claim, contact Us, at our principal address of 47912 Halyard Dr. Suite 100, Plymouth, MI 48170, 1-800-521-0510, identify the product by model number, and follow the claim instructions that will be provided. Any returned product that is replaced by Us becomes our property. You will be responsible for return shipping costs. Please retain your purchase receipt to verify date of purchase and that You are the original consumer purchaser. The product and the purchase receipt must be provided to Us in order to process Your Warranty claim.

Product replacement is Your sole remedy under this Warranty. We shall not be liable for service or labor charges incurred in removing or replacing a product or any incidental or consequential damages of any kind.

You acknowledge and agree that any use of the product for any purpose other than the specified use(s) stated in the product instructions is at Your own risk.

This Warranty gives you specific legal rights, and You may also have other rights which vary from state to state. This Warranty is governed by the laws of the State of Michigan, without regard to rules pertaining to conflicts of law. The state courts located in Oakland County, Michigan shall have exclusive jurisdiction for any disputes relating to this warranty.

Cequent Performance Products, Inc.
47912 Halyard Drive Suite 100
Plymouth, Michigan 48170

ASSEMBLY INSTRUCTIONS

Reese® Elite™ Gooseneck Hitch

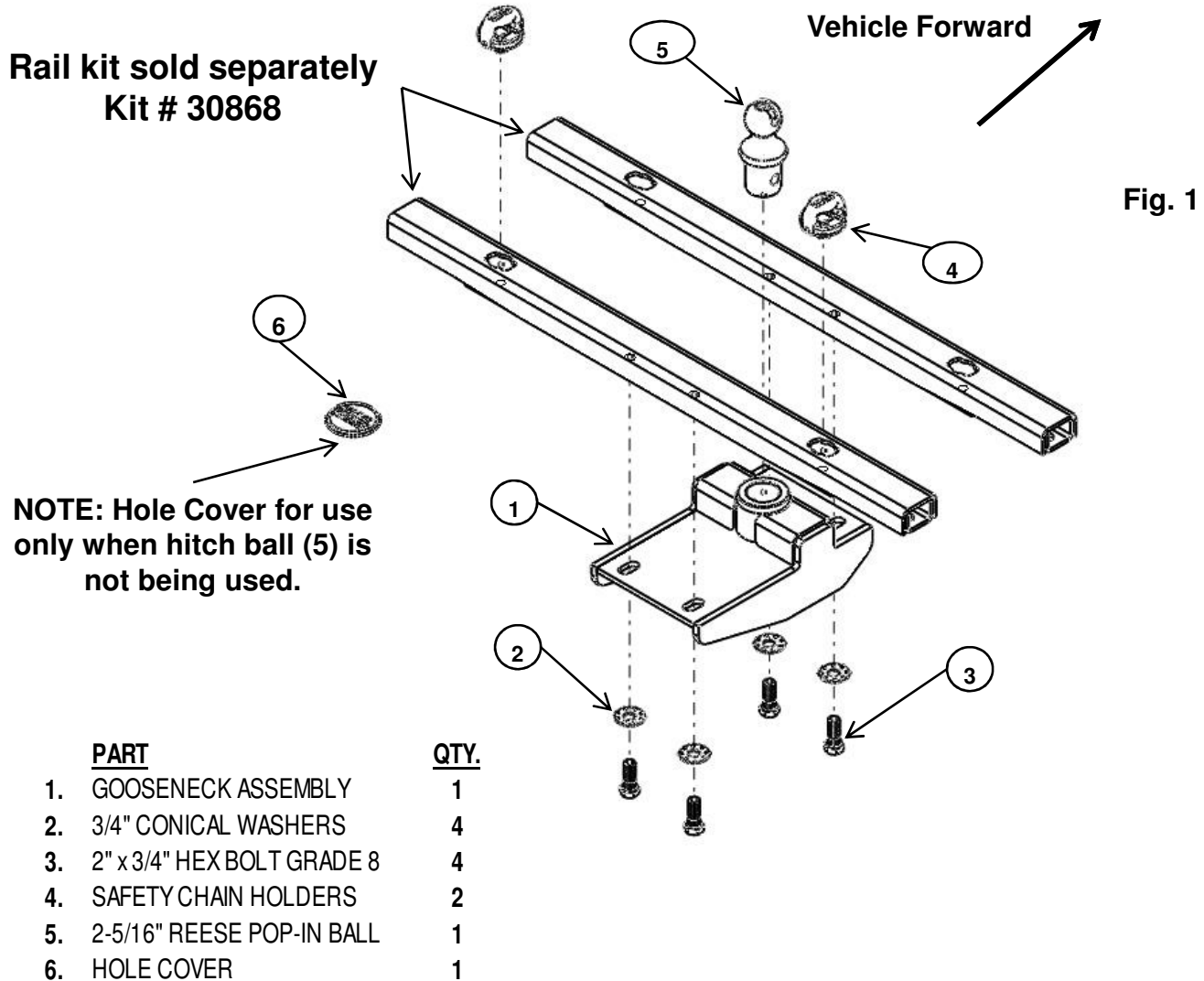
Chevy/GMC/Dodge 2500HD/3500HD

DEALER/INSTALLER:

- (1) Provide this Manual to end user.
- (2) Physically demonstrate procedures in this Manual to end user.
- (3) Have end user demonstrate that he/she understands procedures.

END USER:

- (1) Read and follow this Manual every time you use Gooseneck.
- (2) Save this Manual for future reference.
- (3) Pass on copies of Manual to any other user or owner of Gooseneck.



For Installation Assistance or Technical Help, Call 1-888-521-0510

⚠ WARNING:
Failure to follow all of these instructions may result in death or serious injury!

INDEX

- 1. GUIDELINES FOR MATCHING TOW VEHICLE AND TRAILER..... P. 2-4
- 2. ASSEMBLY INSTRUCTIONS..... P. 5
- 3. IMPORTANT INFORMATION..... P. 6
- 4. CEQUENT PERFORMANCE PRODUCTS, INC. SEVEN YEAR LIMITED WARRANTY.....P. 7

GUIDELINES FOR MATCHING HITCH TRUCK AND TRAILER

⚠ WARNING:
Failure to check and follow tow ratings could result in tow vehicle damage or truck and trailer separation while hauling.

- Trailer and its contents together must not exceed truck, hitch and/or trailer tow ratings.
- Towing vehicle must have a manufacturer’s rated towing capacity equal to or greater than the gross trailer weight (dry weight of the trailer plus payload of the trailer). (See Fig. 2)
- Gross weight of trailer must not exceed 25,000 pounds.
- Pin weight must not exceed 6,250 pounds.
- (See Fig. 3). If in doubt have pin weight measured by qualified facility.

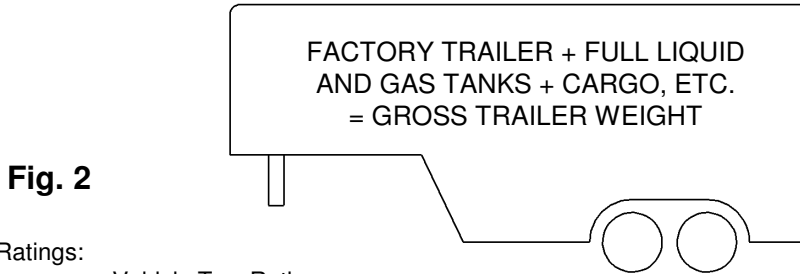


Fig. 2

1. Check Tow Ratings:

Vehicle Tow Rating: _____
REESE® Elite™ Hitch Rating: _____
 Gross Trailer Weight (Fig. 2): _____

***Trailer weight should be the lowest of these recorded ratings for safe towing conditions.**

- 2. **Cequent Performance Products, Inc.** hitches are designed for use with recreational gooseneck trailers only. Hitch applications other than recreational gooseneck trailers must be approved in writing by **Cequent Performance Products, Inc.** Engineering Department.
- 3. Use only a SAE 2-5/16" hitchball with your *REESE® Elite™* Gooseneck Hitch.
- 4. Approximately 15%-25% of trailer weight should be on hitch (Pin Weight). See Fig. 3.

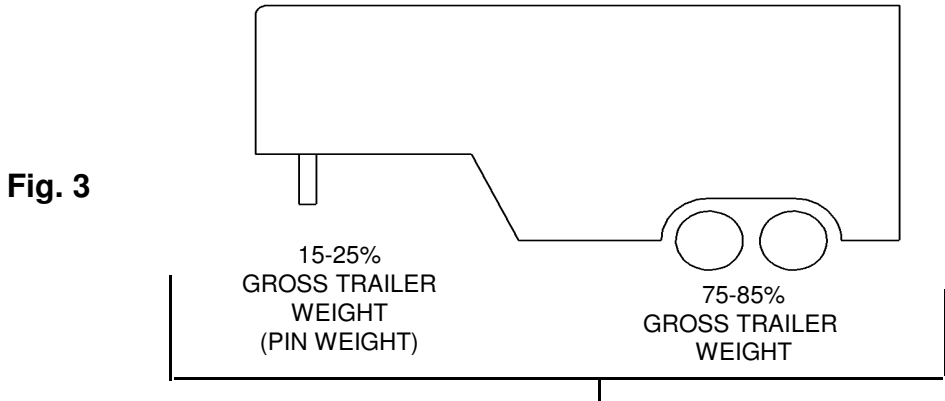
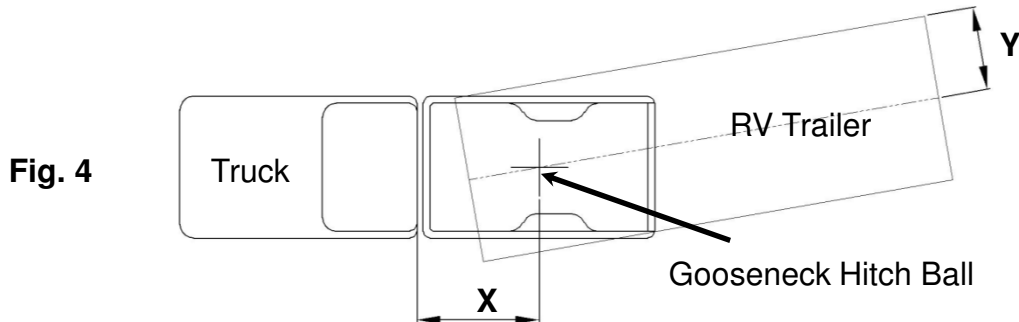


Fig. 3

5. Trucks come in many different configurations. **Cequent Performance Products, Inc.** recommends the use of long bed (8') light trucks for the best combination in truck - trailer turning clearance.

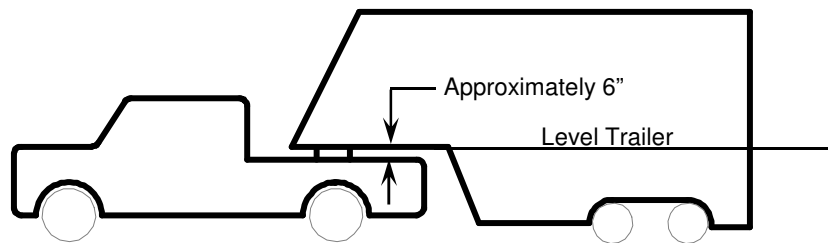
Rule of thumb: The distance from the back of the truck cab to the center of the rear truck axle ("X" in Fig. 4), should be approximately 4" greater than one-half the trailer width ("Y" in Fig.4)



WARNING:
Do Not install this *REESE® Elite™* Gooseneck Hitch on or attempt to tow with a short bed pickup truck that has a bed shorter than 6'!

6. The height of the coupler should be adjusted so the trailer is approximately level as it is towed. Allow approximately 6" clearance between the top of the pickup walls and the underside of the front of the trailer for pitch and roll of the trailer. (See Fig. 5). Allow more clearance between pickup walls and trailer for off road use.

Fig. 5



CAUTION:

The measurements above are guidelines. If your measurements are close to these numbers re-check clearances. If vehicle and/or trailer has any added bed vicinity accessories (i.e. fairings, air dams, ground effects, bed rails, etc.). Additional dimensioning and clearance checks have to be made.

7. Hitch height determination:
With trailer leveled and on level ground measure from the ground to the coupler, Dimension "A" in Fig. 6. Secondly, measure from the height of the inside of the truck bed to the ground, Dimension "B" in Fig. 6. Dimensions "C" and "D" in Fig. 6 can be used to determine the amount of clearance over the side rails, as mentioned in instruction #6 (Additional clearance may be needed for off road maneuvering and/or steep inclines while turning).

$$\text{Hitch Height} = A - B + 2''$$

The 2" value is an estimate of suspension compression due to king pin weight of the trailer. This compression could range between 1"-5" depending on the truck being used and the trailer being towed.

$$D - C + 2'' > 6'' \text{ as noted in instruction \#6.}$$

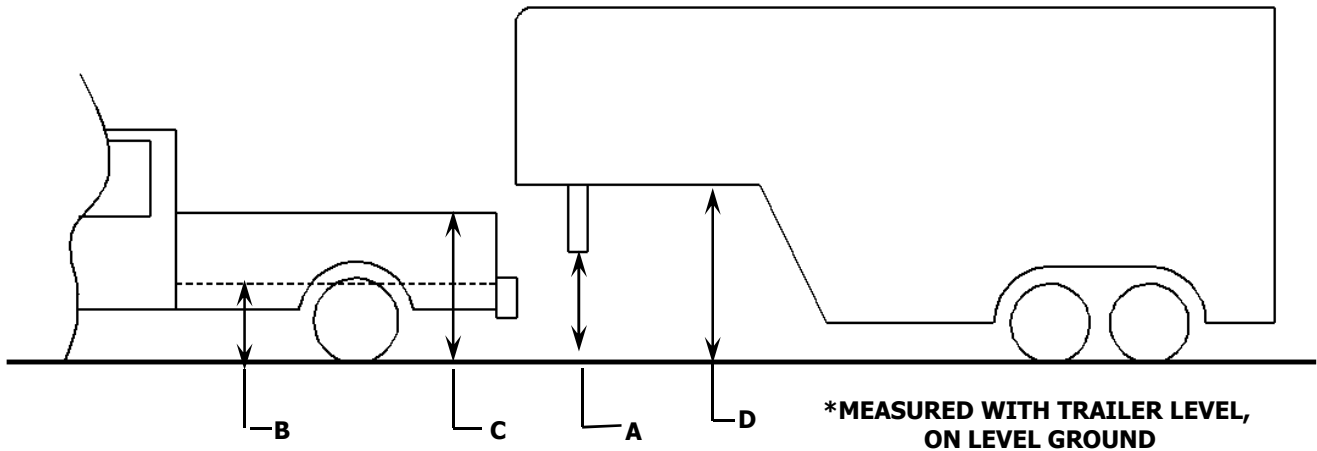


FIG. 6

⚠ WARNING:

•Connection for trailer wiring must be located at the side of the truck bed between the driver's seat and the rear wheel to prevent operators from working between the truck and trailer.

•Avoid putting any part of your body under the trailer or between the truck and trailer. Unexpected or accidental movement of the truck or the trailer can cause serious injury or death

•If you must place any part of your body under the trailer or between the truck and trailer you **MUST** perform **ALL** of the following steps:

- Check that the truck transmission is in park
- Check that the emergency brake is on
- Block in front of and behind all trailer tires
- Check that the trailer landing gear are resting on firm ground

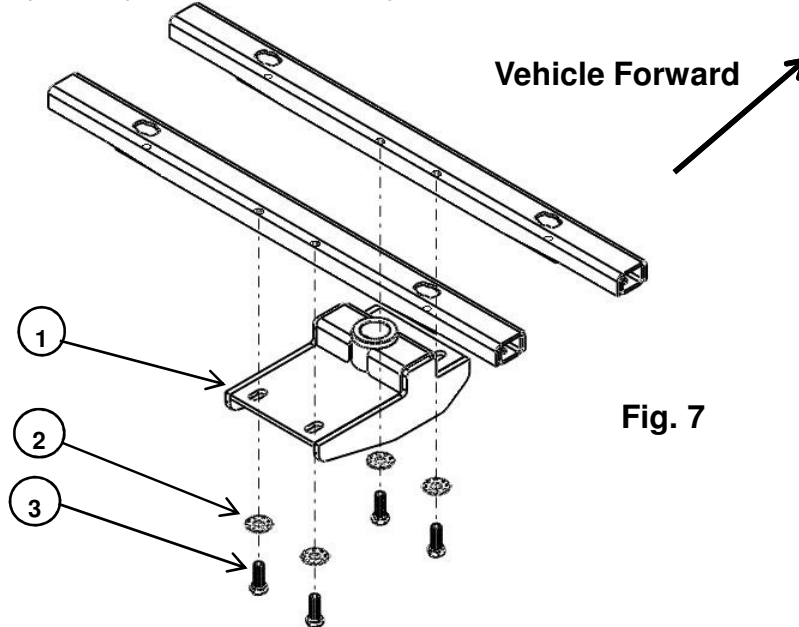
REESE® Elite™ GOOSENECK ASSEMBLY

TOOLS

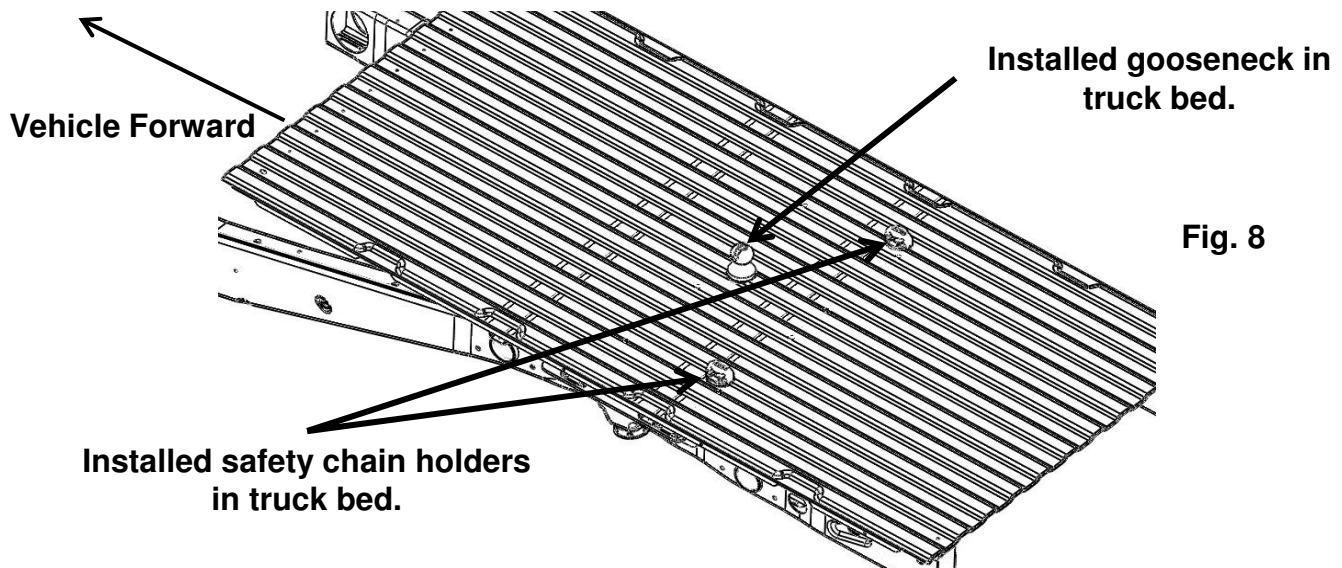
Safety Glasses
Impact Wrench
1-1/8" Socket

3-1/2" Hole Saw
Torque Wrench

1. Check all the boxes for all the components listed in **Figure 1** and become familiar with component terminology.
2. For cutting pattern and rail installation refer to 30868N Instructions for **Chevy** applications **OR** 30852N Instructions for **Dodge** applications.
3. Place the REESE® Elite™ Gooseneck Hitch under the truck (As shown in figure 7) using the 3/4" hex bolts(3) and 3/4" conical washers(2), slide them into place through the slots found in the Gooseneck center section(1).
4. Slide the gooseneck center section up around the holes found on the bottom of the Rails and loosely assemble the hardware. Repeat this process for the remaining 3 bolts. **DO NOT TIGHTEN THE HARDWARE AT THIS TIME.**



5. Once the REESE® Elite™ Gooseneck Hitch has been loosely assembled, locate the collar in the 3-1/2" hole that was cut in step 2.
6. Once the top of the gooseneck receiver tube is located in the hole (See figure 8), then tighten the hardware to a torque of 180 ft/lbs, then the safety chains holder (see instruction manual for installation instructions) and 2-5/16" hitch ball may be installed.



REESE® Elite™ Gooseneck HITCH SYSTEM
IMPORTANT INFORMATION ON TOWING

TOWING EQUIPMENT OWNERS: Make sure all operators of your equipment read and understand this information before towing. Save for reference. This will help you properly use and maintain your towing equipment. Refer to owner's manuals for your tow vehicle, trailer and other parts of your towing system. Learn the capabilities and limitations of each part. **GROSS TRAILER WEIGHT** and **VERTICAL LOAD** are the two most important items to consider. **THESE WEIGHTS MUST NEVER EXCEED THE LOWEST RATING OF ANY PART OF YOUR TOWING SYSTEM.** **GROSS TRAILER WEIGHT** is the weight of the trailer plus cargo. Measure **GROSS TRAILER WEIGHT** by putting the fully loaded trailer on a vehicle scale. **VERTICAL LOAD** is the downward force exerted on the ball by the trailer coupler. Use a vehicle scale to measure **VERTICAL LOAD** with the fully loaded trailer on a level surface and the coupler at normal towing height.

TRAILER COUPLERS

The coupler should be smooth, clean and lightly lubricated. Adjust per coupler manufacturer's instructions.

SAFETY CHAINS

Connect safety chains properly **EVERY TIME YOU TOW.** Attach securely through the chain loops provided so they can not bounce loose. Leave only enough slack to permit full turning. Too much slack may prevent chains from maintaining control if other connections separate.

TRAILER LIGHTS, TURN SIGNALS, ELECTRIC AND BREAKAWAY SWITCH CONNECTIONS

Make these safety-critical connections **EVERY TIME YOU TOW**, no matter how short the trip. Check operation, including electric brake manual control, before getting on the road.

OTHER USEFUL EQUIPMENT

AIR SPRINGS, AIR SHOCKS, or HELPER SPRINGS are useful for some applications. A TRANSMISSION COOLER may be necessary for heavy towing. Many states require TOWING MIRRORS on both sides.

TIRE INFLATION

Check often. Follow tow vehicle and trailer manufacturer's recommendations.

CHECK YOUR EQUIPMENT/REPLACE WORN PARTS

Check ball, coupler, chains, and all other connections **EVERY TIME YOU TOW.** Re-check at fuel and rest stops.

NO PASSENGERS IN TRAILER!

Never allow people in the trailer while towing, under any circumstances.

TRAILER LOADING

Place heavy objects on the floor ahead of the axle. Balance the load side-to-side. Secure it to prevent shifting. **NEVER** load the trailer rear heavy. **LOAD THE TRAILER HEAVIER IN THE FRONT, BUT NOT GREATER THAN TONGUE WEIGHT RATING OF THE HITCH.**

DRIVING

The additional weight of a trailer affects acceleration, braking and handling. Allow extra time for passing, stopping, and changing lanes. A gooseneck trailer requires a large turning radius as the trailer tracks to the inside of turns. Severe bumps can damage your towing vehicle, hitch and trailer. Drive slowly on rough roads. **STOP AND MAKE A THOROUGH INSPECTION IF ANY PART OF YOUR TOWING SYSTEM STRIKES THE ROAD. CORRECT ANY PROBLEMS BEFORE RESUMING TRAVEL.**

WARNING

DO NOT MODIFY. Do not tow one trailer behind another, which may cause loss of control. Failure to heed warnings and follow instructions may result in serious personal injury or death, vehicle crash, and/or property damage.

NOTES

SEVEN YEAR LIMITED WARRANTY

Cequent Performance Products, Inc. warrants its REESE® Elite™ Gooseneck Hitch from date of purchase against defects in material and workmanship under normal use and service, ordinary wear and tear excepted, for 7 years of ownership to the original consumer purchaser when a Cequent Performance Products, Inc. mounting kit is used.

Cequent Performance Products, Inc. will replace FREE OF CHARGE any part which proves defective in material or workmanship when presented to any Cequent Performance Products, Inc. dealer, Cequent Performance Products, Inc. Warehouse or returned to factory. TRANSPORTATION CHARGES PREPAID, at the address below. THIS WARRANTY IS LIMITED TO DEFECTIVE PART(S) REPLACEMENT ONLY. LABOR CHARGES AND/OR DAMAGE INCURRED IN INSTALLATION OR REPLACEMENT AS WELL AS INCIDENTAL AND CONSEQUENTIAL DAMAGES CONNECTED THEREWITH ARE EXCLUDED.

Some states do not allow the exclusion or limitation of incidental or consequential damages, so the above limitation or exclusion may not apply to you.

Any damage to the REESE® Elite™ Gooseneck Hitch as a result of misuse, abuse, neglect, accident, improper installation, or any use violative of instructions furnished by us, WILL VOID THE WARRANTY.

This warranty gives you specific legal rights, and you may also have other rights which vary from state to state. In the event of a problem with warranty service or performance, you may be able to go to a small claims court, or a federal district court.

**Cequent Performance Products, Inc.
47912 Halyard Dr. Suite 100
Plymouth, MI. 48170**

INSTRUCCIONES DE INSTALACIÓN:

Enganche cuello de ganso Reese™ Elite®

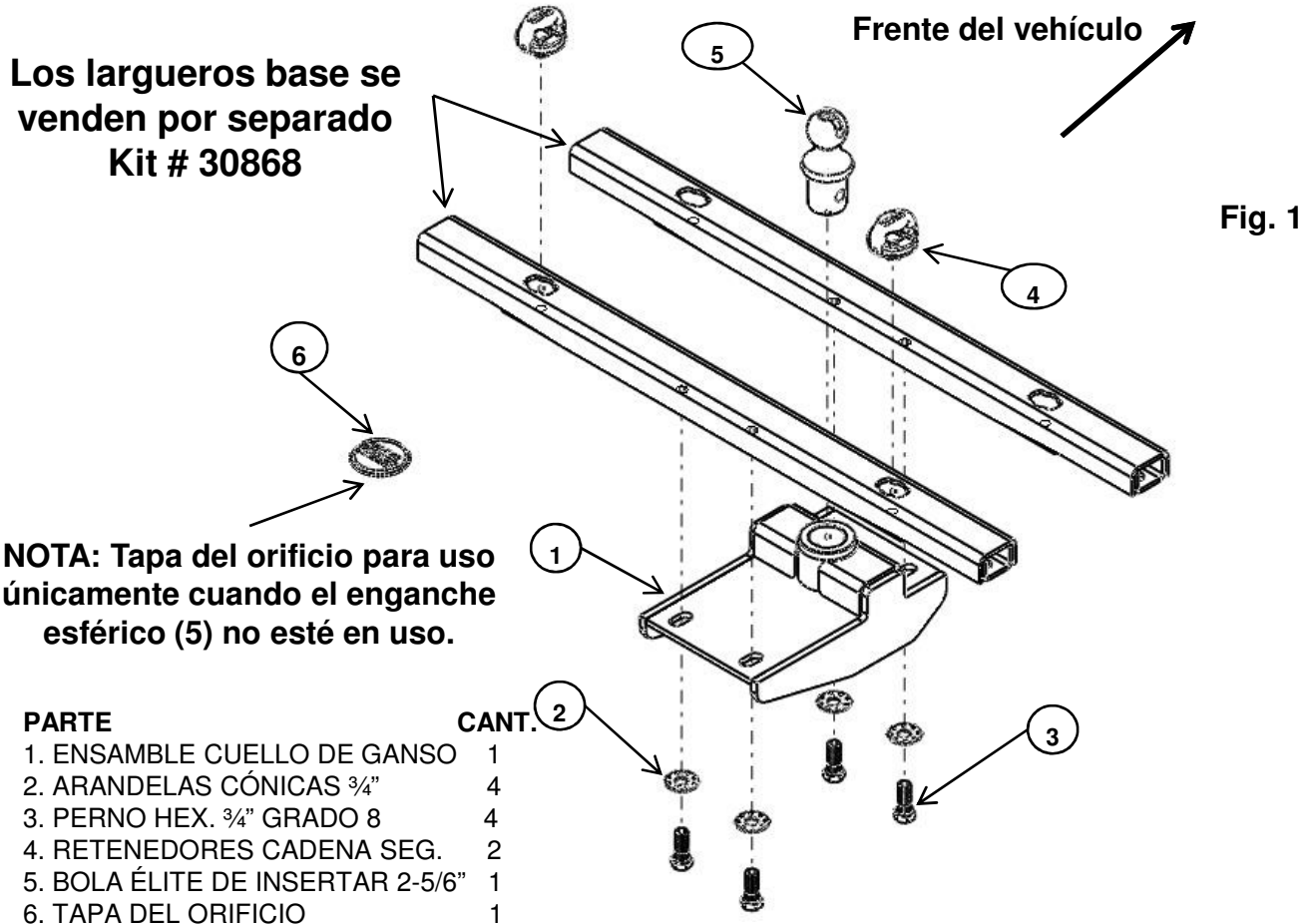
Chevy/GMC/Dodge 2500HD/3500HD

CONCESIONARIO/INSTALADOR:

- (1) Entregue este manual al usuario final.
- (2) Demuestre físicamente los procedimientos en este manual al usuario final.
- (3) Pida al usuario final que le demuestre que entiende los procedimientos.

USUARIO FINAL:

- (1) Lea y siga este manual todas las veces que use su cuello de ganso.
- (2) Guarde este Manual para referencia futura.
- (3) Distribuya copias de este manual a cualquier otro usuario o propietario del cuello de ganso



Para asistencia con la instalación o para ayuda técnica, llame al 1-888-521-0510

⚠ ADVERTENCIA:
¡No seguir estas instrucciones puede resultar en la muerte o en lesiones serias!

ÍNDICE

- 1. PAUTAS PARA AJUSTAR EL VEHÍCULO DE REMOLQUE Y EL REMOLQUE..... P. 2-4
- 2. INSTRUCCIONES DE INSTALACIÓN.....P. 5
- 3. INFORMACIÓN IMPORTANTE P. 6
- 4.. GARANTÍA LIMITADA DE SIETE AÑOS.DE **CEQUENT PERFORMANCE PRODUCTS, INC.** .. P. 7

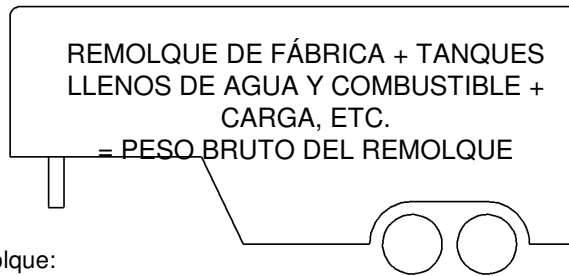
PAUTAS PARA AJUSTAR EL VEHÍCULO DE ENGANCHE Y EL REMOLQUE

⚠ ADVERTENCIA:

No revisar y seguir las calificaciones de remolque podría resultar en daño al vehículo de remolque o la separación del vehículo y remolque durante el desplazamiento.

- El remolque y su contenido combinados no deben exceder las calificaciones del vehículo, enganche y/o remolque.
- El vehículo de remolque debe tener una capacidad de remolque establecida por el fabricante que sea igual o superior al peso bruto del remolque (peso seco del remolque más la carga útil del remolque). (Ver Fig. 2)
- El peso bruto del remolque no debe superar 25,000 libras.
- El peso del pin no debe superar 6,250 libras.
- (Ver Fig. 3) Si tiene dudas haga que un técnico calificado pese el pin.

Fig. 2

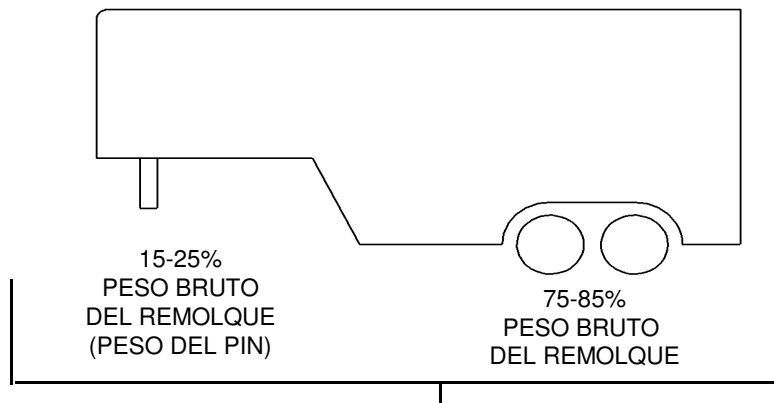


- 1. Revise las calificaciones de remolque:
 Calificación del remolque del vehículo: _____
 Calificación del enganche *Reese® Elite™*: _____
 Peso bruto del remolque (Figura 2): _____

***El peso del remolque debe ser el inferior de estas calificaciones registradas para unas condiciones seguras.**

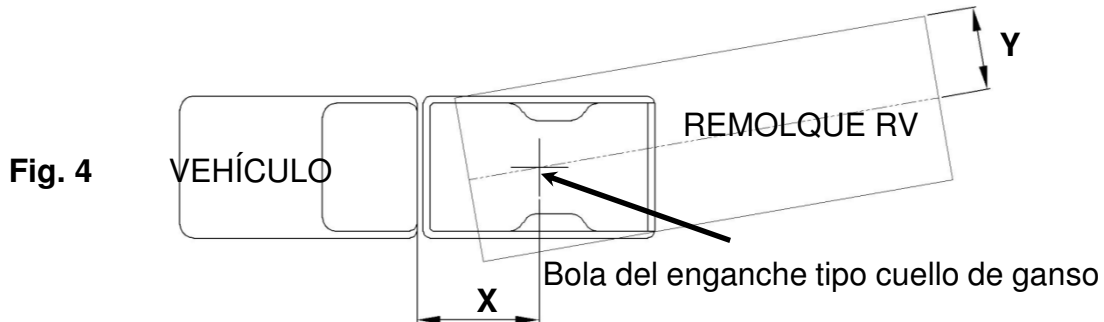
- 2. Los enganches de **Cequent Performance Products, Inc.** están diseñados para uso con remolques de recreación tipo cuello de cisne únicamente. Las aplicaciones de enganche diferentes a los remolques cuello de cisne tipo recreacional deben ser aprobadas por escrito por el departamento de Ingeniería de **Cequent Performance Products, Inc.**
- 3. Utilice sólo una bola de enganche 2-5/16 " SAE con su enganche cuello de cisne *Reese® Elite™*.
- 4. Aproximadamente 15%-25% del peso del remolque debe estar en el enganche (peso del Pin). (Ver Fig. 3)

Fig. 3



5. Los vehículos vienen en muchas configuraciones diferentes. **Cequent Performance Products, Inc.** recomienda el uso de vehículos livianos de base larga (8') para la mejor combinación de despeje para giros entre el vehículo y el remolque.

Regla de oro: La distancia desde la parte posterior de la cabina del vehículo hasta el centro del eje del vehículo posterior ("X" en la Figura 4), debería ser aproximadamente 4 pulgadas mayor que la mitad del ancho del remolque (Y" en la Figura 4)

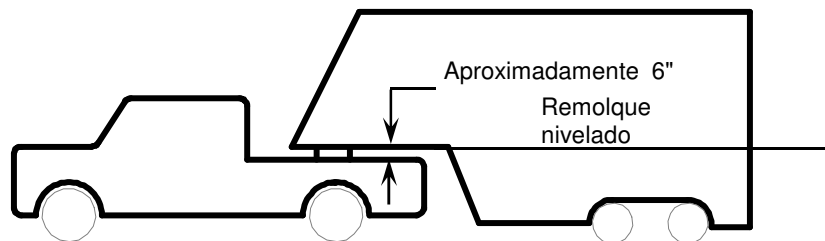


ADVERTENCIA:

¡No instale este enganche cuello de ganso REESE™ Elite® Series ni intente remolcar con un vehículo pickup base corta que tenga una base inferior a 6'!

6. La altura del acoplador se debe ajustar de manera que el remolque esté nivelado aproximadamente a medida que se remolca. Permita aproximadamente 6 pulgadas de despeje entre la parte superior de las paredes del vehículo y la parte inferior del frente del remolque para el cabeceo y rollido del remolque. (Ver Fig. 5) Permita más despeje entre las paredes de la camioneta y el remolque para uso fuera de la carretera.

Fig. 5



PRECAUCIÓN:

Las medidas anteriores son pautas. Si sus medidas están cercanas a estos números, vuelva a revisar los despejes. Si el vehículo y/o el remolque tiene cualquier accesorio agregado cerca a la base (por ejemplo, protectores de faros, desviadores de aire, efectos en el piso, largueros base, etc.), se deben hacer revisiones adicionales de despeje y dimensionamiento.

7. Determinación de la altura del enganche:
Con el remolque nivelado y sobre terreno plano mida desde el piso hasta el acoplador, Dimensión "A" en la Figura 6. Luego, mida desde la altura del interior de la base del vehículo hasta el piso, Dimensión "B" en la Figura 6. Las dimensiones "C" y "D" en la Fig. 6 se pueden usar para determinar la cantidad de despeje sobre los largueros laterales, como se mencionó en la instrucción #6 (podría ser necesario despeje adicional para las maniobras fuera de la carretera y/o inclinaciones pronunciadas al girar).

$$\text{Altura del enganche} = A - B + 2''$$

El valor de 2" es un estimado de la compresión de suspensión debido al peso del king pin del remolque. Esta compresión podría oscilar entre 1"-5" dependiendo del vehículo y remolque que se usen.

$$D - C + 2'' > 6'' \text{ como se indica en la instrucción 6.}$$

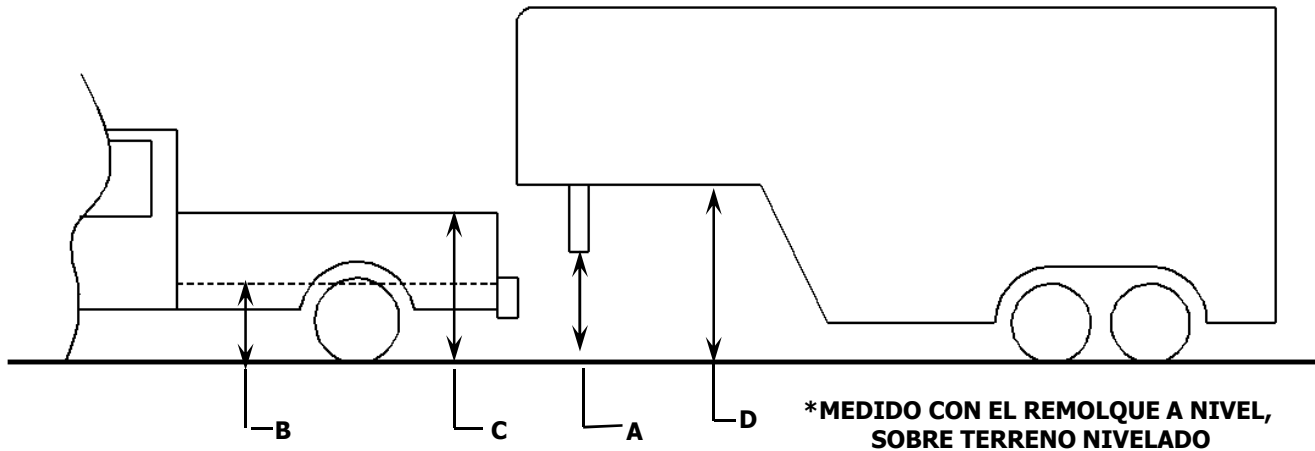


FIG. 6

⚠ ADVERTENCIA:

•La conexión del cableado del remolque debe localizarse en el costado de la base del vehículo entre el asiento del conductor y la rueda posterior para evitar que los operadores trabajen entre el vehículo y el remolque.

•Evite colocar cualquier parte de su cuerpo debajo del remolque o entre el vehículo y el remolque. El movimiento no esperado o accidental del vehículo o el remolque puede causar lesiones serias o muerte

•Si debe colocar cualquier parte de su cuerpo debajo del remolque o entre el vehículo y el remolque, usted DEBE realizar TODOS los pasos siguientes:

- Revise que la transmisión del vehículo esté en posición de estacionamiento
- Revise que el freno de emergencia esté activado
- Coloque bloques al frente y detrás de todas las llantas del remolque
- Revise que el tren de apoyo del remolque esté apoyado en terreno firme

ENSAMBLE CUELLO DE CISNE REESE® Elite™

HERRAMIENTAS

Gafas de seguridad
Llave impacto
Tubo de 1-1/8"

Sierra de copa 3-1/2"
Llave de torsión

1. Revise todas las cajas de todos los componentes que se indican en la **Figura 1** y familiarícese con la terminología de los componentes.
2. Para el patrón de corte y la instalación del larguero consulte las Instrucciones 30868N para aplicaciones **Chevy Q** las instrucciones 30852N para aplicaciones Dodge.
3. Coloque el enganche cuello de cisne REESE™ Serie Elite debajo del vehículo (como se muestra en la figura 7) usando los pernos hexagonales (3) de 3/4" y las arandelas cónicas (2) de 3/4", deslícelos en su lugar a través de las ranuras que se encuentran en la sección central del cuello de cisne (1).
4. Deslice la sección central del cuello de cisne alrededor de los orificios que se encuentran en la base de los largueros y sin apretar instale las piezas. Repita este proceso para los 3 pernos restantes. **NO APRIETE LAS PIEZAS EN ESTE MOMENTO.**

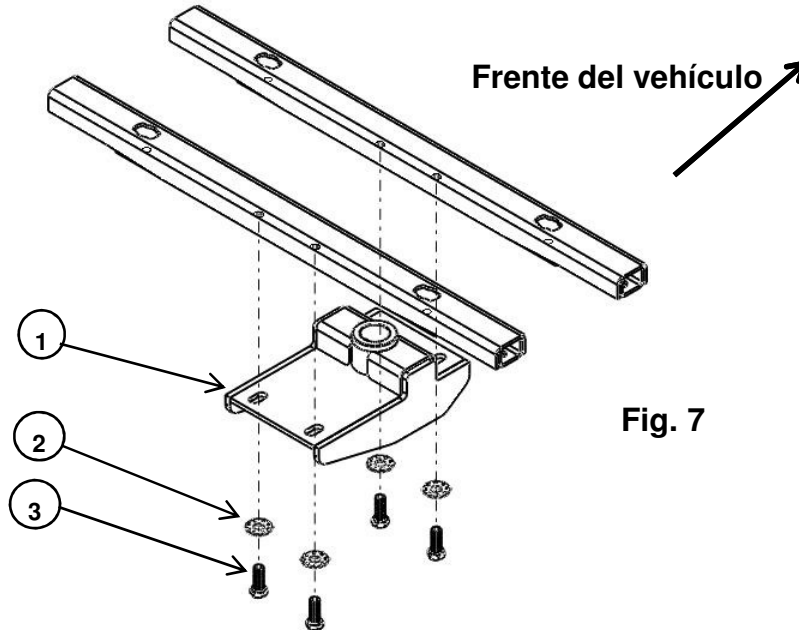


Fig. 7

5. Una vez el enganche cuello de cisne REESE® Elite™ se haya instalado sin apretar, localice el cuello en el orificio de 3-1/2" que se cortó en el paso 2.
6. Una vez que el tubo receptor del cuello de cisne esté localizado en el orificio (Ver figura 8), entonces apriete las piezas a torsión a 180 pies/lbs, luego el tenedor de las cadenas de seguridad (ver el manual de instrucciones para las instrucciones de instalación) y se puede instalar la bola del enganche de 2-5/16".

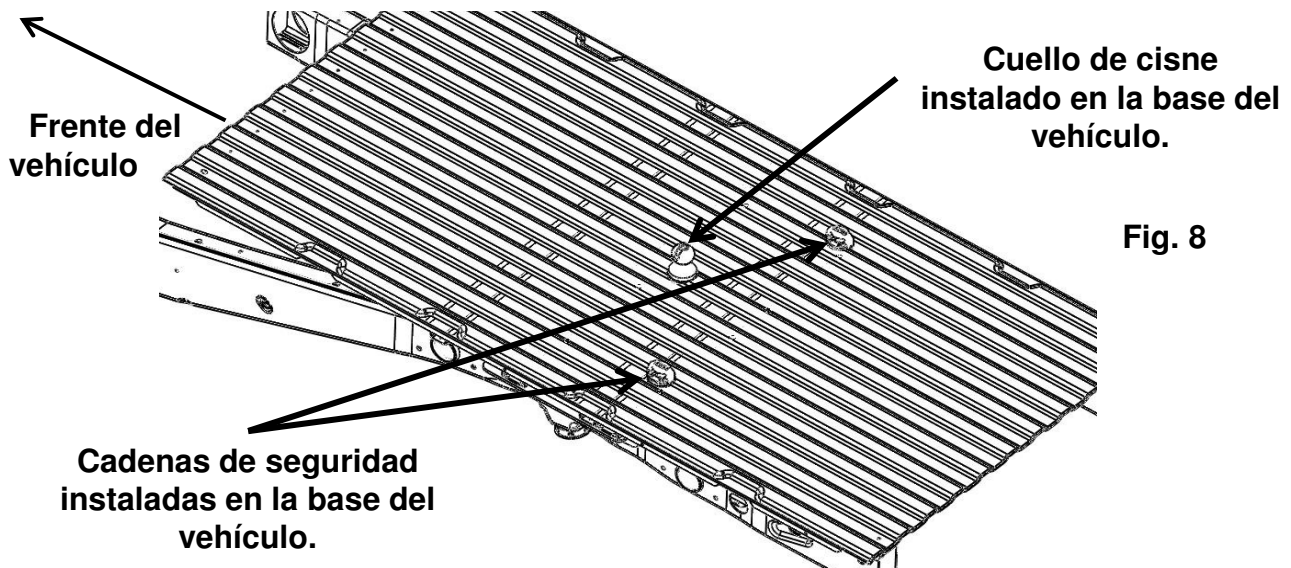


Fig. 8

SISTEMA DE ENGANCHE CUELLO DE GANSO *REESE™ Elite® Series*

INFORMACIÓN IMPORTANTE PARA REMOLCAR

PROPIETARIOS DE EQUIPO DE REMOLQUE: Cerciórese de que todos los operadores de su equipo lean y entiendan esta información antes de remolcar. Guarde para referencia. Esto le ayudará a usar y mantener de manera apropiada su equipo de remolque. Consulte los manuales del propietario para su vehículo de remolque, remolque y otras partes de su sistema de remolque. Conozca las capacidades y limitaciones de cada parte. PESO BRUTO DEL REMOLQUE Y CARGA VERTICAL son dos de los aspectos más importantes a considerar. **ESTOS PESOS NUNCA DEBEN SUPERAR LA CALIFICACIÓN INFERIOR DE CUALQUIER PARTE DE SU SISTEMA DE REMOLQUE.** PESO BRUTO DEL REMOLQUE es el peso del remolque más la carga. Mida el PESO BRUTO DEL REMOLQUE con el remolque completamente cargado en una balanza para vehículos. CARGA VERTICAL es la fuerza hacia abajo que recae sobre la bola por el acoplador del remolque. Use una balanza para vehículos para medir la CARGA VERTICAL con el remolque completamente cargado sobre una superficie nivelada y el acoplador a una altura normal de remolque.

ACOPLADORES DEL REMOLQUE

El acoplador debe estar liso, limpio y ligeramente lubricado. Ajuste según las instrucciones del fabricante del acoplador.

CADENAS DE SEGURIDAD

Conecte las cadenas de seguridad correctamente **CADA VEZ QUE REMOLQUE.** Instale de manera segura a través de los cargadores de la cadena que se suministran de manera que no queden sueltas. Deje apenas suficiente para permitir un giro completo. Dejarlas demasiado sueltas impediría que las cadenas mantengan el control si se separan otras conexiones.

CONEXIONES DE LUCES DEL REMOLQUE, SEÑALES DE GIRO, INTERRUPTOR DE LIBERACIÓN

Realice estas conexiones críticas para la seguridad **TODAS LAS VECES QUE REMOLQUE,** no importa lo corto que sea su viaje. Revise la operación, incluido el control manual del freno eléctrico, antes de salir a la carretera.

OTROS EQUIPOS ÚTILES

RESORTES NEUMÁTICOS, AMORTIGUADORES O RESORTES DE AYUDA son útiles para algunas aplicaciones. Podría ser necesario un ENFRIADOR DE TRANSMISIÓN para remolque pesado. Muchos estados exigen ESPEJOS DE REMOLQUE en ambos lados.

INFLADO DE LLANTAS

Revise con frecuencia. Siga las recomendaciones del fabricante del vehículo de remolque y del remolque.

REVISE SU EQUIPO Y REEMPLACE LAS PARTES GASTADAS

Revise la bola, el acoplador, las cadenas y todas las otras conexiones **TODAS LAS VECES QUE USTED REMOLQUE.** Vuelva a revisar en las paradas por combustible y de descanso.

¡NO LLEVE PASAJEROS EN LOS REMOLQUES!

Bajo ninguna circunstancia *nunca* permita gente en el remolque mientras remolca.

CARGA DEL REMOLQUE

Coloque los objetos pesados en el piso adelante del eje. Distribuya la carga de lado a lado. Asegure la carga para evitar movimiento. **NUNCA** lleve el remolque pesado en la parte de atrás. **CARGUE EL REMOLQUE CON MAYOR PESO AL FRENTE, PERO NO MÁS QUE LA CALIFICACIÓN DE PESO DE LA HORQUILLA DEL ENGANCHE.**

CONDUCCIÓN

El peso adicional de un remolque afecta la aceleración, frenado y manipulación. Permita tiempo adicional para pasar, parar y cambiar de carriles. Un remolque cuello de ganso requiere un radio amplio para girar a medida que el remolque se desplaza al interior de los giros. Los baches grandes pueden dañar su vehículo de remolque, enganche y remolque. Conduzca despacio en las carreteras escarbadadas. **Pare y haga una inspección completa si el cargador golpea la carretera. Corrija cualquier problema antes de seguir desplazándose.**

ADVERTENCIA

¡NO MODIFIQUE! No lleve un remolque detrás de otro, ya que podría perder el control. No obedecer las advertencias y seguir las instrucciones podría resultar en lesiones personales graves o en la muerte, choques del vehículo y o daño a la propiedad.

NOTAS:

GARANTÍA LIMITADA DE SIETE AÑOS

Cequent Performance Products, Inc. garantiza su enganche cuello de ganso *REESE™ Elite® Series* a partir de la fecha de compra contra defectos en materiales y mano de obra bajo condiciones normales de uso y servicio, con la excepción del uso y desgaste ordinarios, por 7 años de propiedad al consumidor comprador original cuando se use un kit de montaje de Cequent Performance Products, Inc.

Cequent Performance Products, Inc. reemplazará SIN COSTO cualquier parte que resulte defectuosa en los materiales o mano de obra cuando se presente a cualquier distribuidor de Cequent Performance Products, Inc. bodega de Cequent Performance Products, Inc. o se devuelva a la fábrica. CARGOS POR TRANSPORTE PREPAGADOS, a la dirección a continuación. ESTA GARANTÍA ESTÁ LIMITADA AL REEMPLAZO DE PARTES DEFECTUOSAS ÚNICAMENTE.. SE EXCLUYEN LOS CARGOS DE MANO DE OBRA Y/O DAÑOS INCURRIDOS EN LA INSTALACIÓN O REEMPLAZO ASÍ COMO LOS DAÑOS CONSECUENCIALES O INCIDENTALES RELACIONADOS.

Algunos estados no permiten la exclusión o limitación de los daños incidentales o consecuenciales, por lo que la exclusión o limitación anterior podría no corresponderle.

Cualquier daño al enganche cuello de ganso *REESE™ Elite® Series* como resultado del mal uso, abuso, negligencia, accidente, instalación incorrecta o cualquier uso incorrecto de las instrucciones entregadas por nosotros, INVALIDARÁ LA GARANTÍA.

Esta garantía le otorga derechos legales. Usted también podría tener otros derechos que varían de estado a estado. En el evento de un problema con el servicio de garantía o desempeño, usted puede acudir a una corte de demandas menores, una corte estatal, o una corte federal del distrito.

**Cequent Performance Products, Inc.
47912 Halyard Dr. Suite 100
Plymouth, MI. 48170**

INSTRUCTIONS DE MONTAGE

Attelage col-de-cygne Reese™ Elite®

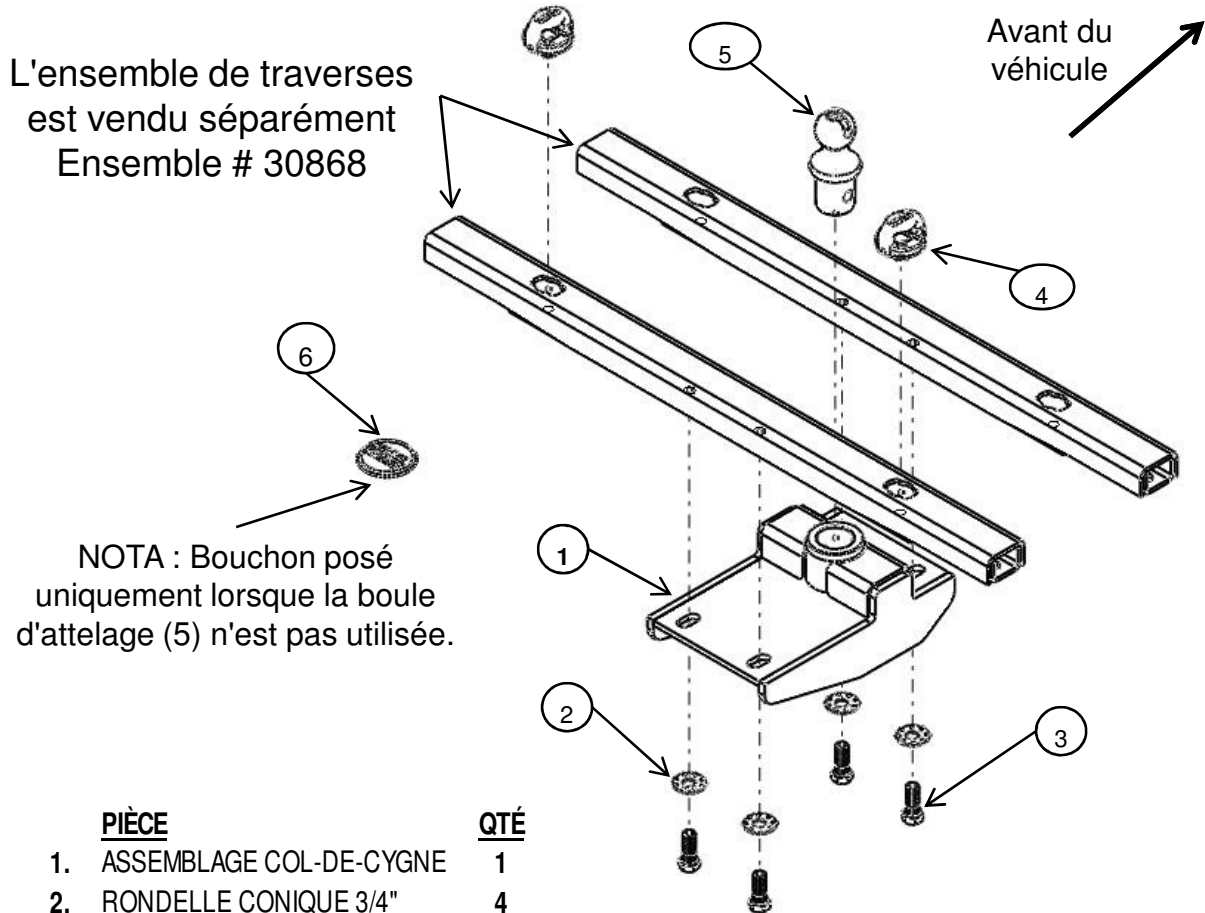
Chevy/GMC/Dodge 2500HD/3500HD

CONCESSIONNAIRE/INSTALLATEUR :

- (1) Remettre ce manuel à l'utilisateur final.
- (2) Démontrez physiquement les procédures de ce manuel à l'utilisateur final.
- (3) Demander à l'utilisateur final de démontrer sa compréhension des procédures.

UTILISATEUR FINAL :

- (1) Lire et observer les instructions de ce manuel à chaque utilisation de l'attelage col-de-cygne.
- (2) Conserver ce manuel pour consultation ultérieure.
- (3) Remettre des copies du manuel à tout autre utilisateur ou propriétaire de l'attelage.



Pour obtenir de l'assistance pour l'installation ou un autre aspect technique, composer le 1-888-521-0510

⚠ AVERTISSEMENT :

L'omission d'observer toutes les instructions peut causer des blessures sévères, voire la mort !

SOMMAIRE

1. DIRECTIVES CONCERNANT LE JUMELAGE DU VÉHICULE ET DE LA CARAVANE	Pgs 2 à 4
2. INSTRUCTIONS DE MONTAGE	P. 5
3. RENSEIGNEMENTS IMPORTANTS	P. 6
4. GARANTIE LIMITÉE DE SEPT ANS DE CEQUENT PERFORMANCE PRODUCTS, INC.	P. 7

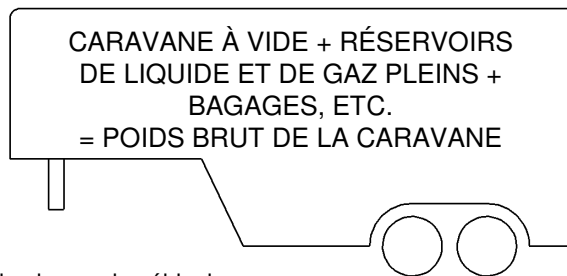
DIRECTIVES CONCERNANT LE JUMELAGE DU VÉHICULE ET DE LA CARAVANE

⚠ AVERTISSEMENT :

L'omission de vérifier et respecter les capacités de charge nominales peut causer l'endommagement du véhicule ou la séparation du véhicule et de la caravane pendant le remorquage.

- Le poids de la caravane et de son contenu ne doit pas dépasser les capacités de charge du véhicule, de l'attelage et/ou de la caravane.
- La capacité de charge du véhicule spécifiée par le fabricant doit être égale ou supérieure au poids brut de la caravane (poids à vide de la caravane plus sa charge utile). (Voir la Fig. 2)
- Le poids brut de la caravane ne doit pas dépasser 25 000 livres (11 340 kg).
- Le poids brut de la caravane ne doit pas dépasser 6 250 livres (11 340 kg).
- (Voir la Fig. 3). En cas de doute, faire peser le pivot d'attelage dans une installation qualifiée.

Fig. 2



1. Vérifier les capacités de charge :

Capacité de charge du véhicule : _____
Capacité de charge de l'attelage REESE Elite™ : _____
Poids brut de la caravane (Fig. 2) : _____

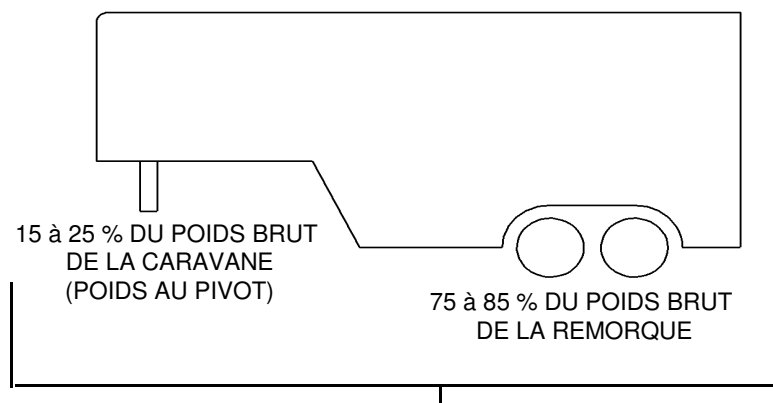
*Pour s'assurer de conditions de remorquage sécuritaires, le poids de la caravane ne doit pas dépasser la capacité de charge la plus basse inscrite ci-dessus.

2. conçus pour une utilisation avec caravane récréative Les attelages Cequent Performance Products sont réactive à col-de-cygne seulement. Toute utilisation de l'attelage qui ne s'applique pas à une caravane récréative à col-de-cygne doit être approuvée par écrit par le service d'ingénierie de Cequent Performance Products, Inc.

3. Utiliser seulement une boule d'attelage SAE 2-5/16 po avec votre attelage col-de-cygne REESE® Elite™

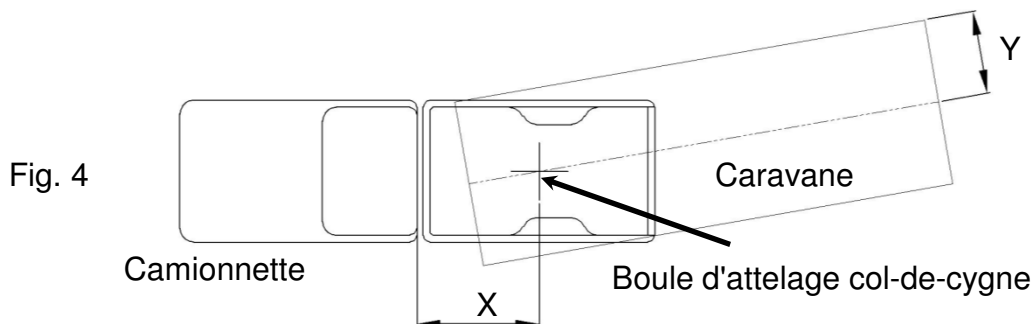
4. Environ 15 % à 25 % du poids de la caravane doit reposer sur l'attelage (poids au pivot). Voir la Fig. 3.

Fig. 3



5. Les camionnettes sont fabriquées selon des configurations variées. **Cequent Performance Products, Inc.** recommande d'utiliser des camionnettes à plateforme longue (8 pi) pour obtenir le meilleur dégagement véhicule-caravane dans les virages.

Méthode empirique : La distance entre l'arrière de la cabine de la camionnette et le centre de l'essieu arrière de la camionnette ("X" de la Fig. 4) doit être supérieure d'environ 4 pouces à la demi-largeur de la caravane ("Y" de la Fig. 4).

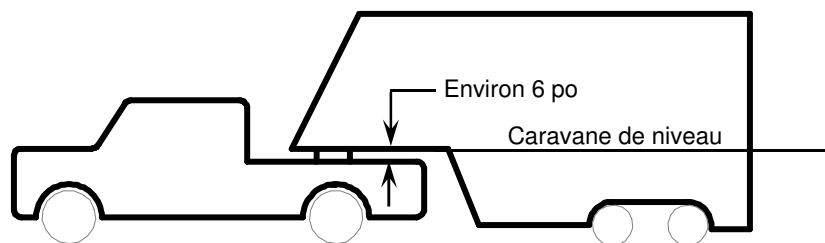


AVERTISSEMENT :

Ne pas installer cet attelage col-de-cygne *REFUSE™ Elite® Series* sur une camionnette dont la plateforme est inférieure à 6 pi !

6. La hauteur du coupleur doit être ajustée de façon que la caravane soit à peu près de niveau lors du remorquage. Laisser environ 6 po de dégagement entre le haut des parois de la camionnette et le dessous de l'avant de la caravane en prévision du tangage et du roulis de la caravane. (Voir la Fig. 5). Laisser un dégagement supplémentaire entre les parois de la camionnette et la caravane dans le cas d'une utilisation hors route.

Fig. 5



ATTENTION :

Les mesures ci-dessus apparaissent à titre indicatif. Si vos mesures se rapprochent de ces valeurs, vérifiez les dégagements de nouveau. Si le véhicule et/ou la caravane sont équipés d'accessoires dans la zone de la plateforme (carénage, jupe, effet de sol, traverse de plateforme, etc.), il faut procéder à des mesures et vérifications de dégagement additionnelles.

7. Détermination de la hauteur de l'attelage :

Caravane de niveau et reposant sur un sol plat, mesurer la distance entre le sol et le coupleur, dimension "A" de la Fig. 6. Mesurer ensuite la distance entre l'intérieur de la plateforme et le sol, dimension "B" de la Fig. 6. Les dimensions "C" et "D" de la Fig. 6 peuvent être utilisées pour déterminer le dégagement au-dessus des longerons latéraux, tel que mentionné à l'instruction n° 6 (dégagement additionnel qui peut s'avérer nécessaire pour les manoeuvres hors route et/ou les pentes raides lors des virages).

$$\text{Hauteur de l'attelage} = A - B + 2 \text{ po}$$

La valeur de 2 po est une évaluation de la compression de la suspension causée par le poids du pivot d'attelage de la caravane. Cette compression peut mesurer entre 1 et 5 po selon la camionnette et la caravane utilisées.

$$D - C + 2 \text{ po} > 6 \text{ po} \text{ tel que noté à l'instruction \#6.}$$

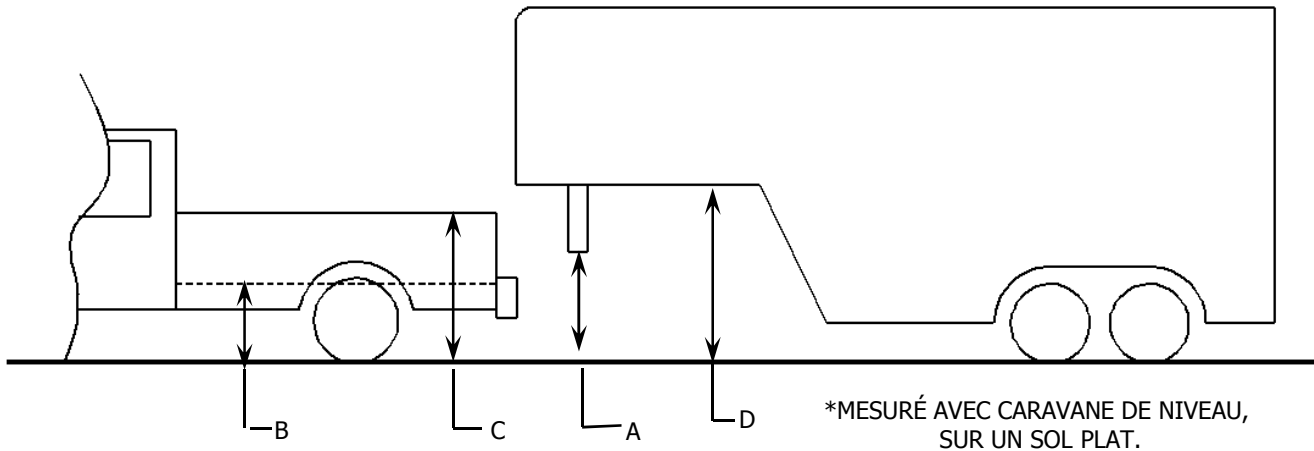


FIG. 6

⚠ AVERTISSEMENT :

- La connexion pour le câblage de la caravane doit être située sur le côté de la plateforme de la camionnette, entre le siège du conducteur et la roue arrière, afin d'empêcher les opérateurs de travailler entre le véhicule et la caravane.
- Éviter de placer une partie du corps sous la caravane ou entre la camionnette et la caravane. Un mouvement imprévu ou accidentel de la camionnette ou de la caravane peut causer des blessures sévères, voire la mort.
- Si l'on place une partie du corps sous la caravane ou entre le véhicule et la caravane, il **FAUT** exécuter **TOUTES** les étapes suivantes :
 - S'assurer que la transmission de la camionnette est en position de stationnement.
 - S'assurer que le frein de secours est appliqué.
 - Placer des cales à l'avant et l'arrière des pneus de la caravane.
 - S'assurer que la béquille de la caravane repose sur un sol ferme.

OUTILS

Lunettes de protection
Clé à chocs

Scie-cloche 3-1/2"
Clé dynamométrique

Douille 1-1/8"

1. Vérifier la présence de tous les composants énumérés à la **Figure 1** dans toutes les boîtes et se familiariser avec leur terminologie.
2. Pour le tracé de découpage et l'installation des traverses de montage, reportez-vous aux instructions 30868N, application Chevy OU les instructions 30852N, application Dodge.
3. Placer l'attelage col-de-cygne REESE® Elite™ sous la camionnette (comme illustré à la figure 7) et glisser en place les boulons hexagonaux 3/4 po (3) et les rondelles coniques 3/4 po (2) dans les fentes de la section centrale de l'attelage col-de-cygne (1).
4. Glisser la section centrale du col-de-cygne vers le haut autour des trous situés dans le bas des traverses de montage, puis poser la visserie sans trop serrer. Répétez cette procédure pour les trois autres boulons. **NE PAS SERRER LA BOULONNERIE À FOND POUR LE MOMENT.**

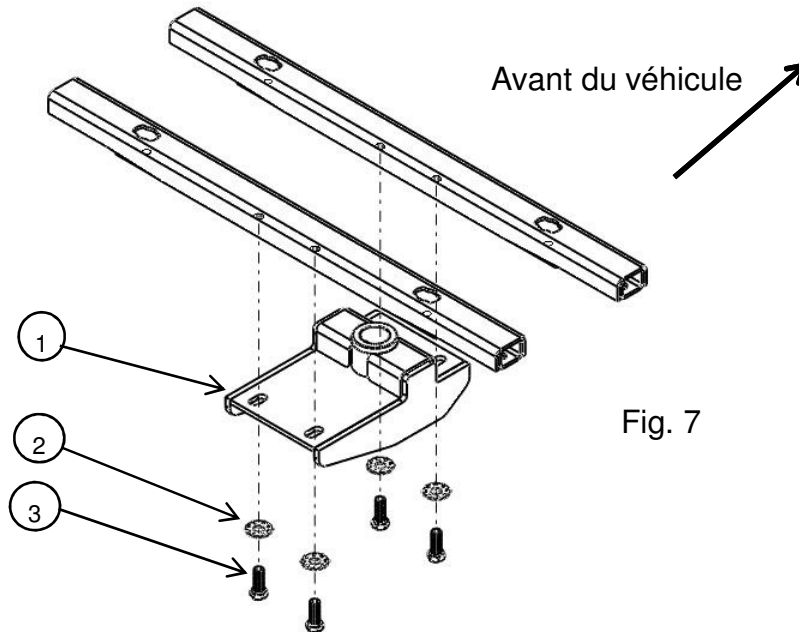


Fig. 7

5. Une fois l'attelage col-de-cygne REESE® Elite™ assemblée lâchement, repérer le collet dans le trou 3-1/2 po qui a été découpé à l'étape 2.
6. Une fois le dessus du tube-récepteur du col-de-cygne situé dans le trou (voir figure 8), serrer la visserie au couple de 180 lb-pi ; ensuite le support des chaînes de sécurité (voir le manuel d'instructions) et la boule d'attelage 2-5/16 po peuvent être posés.

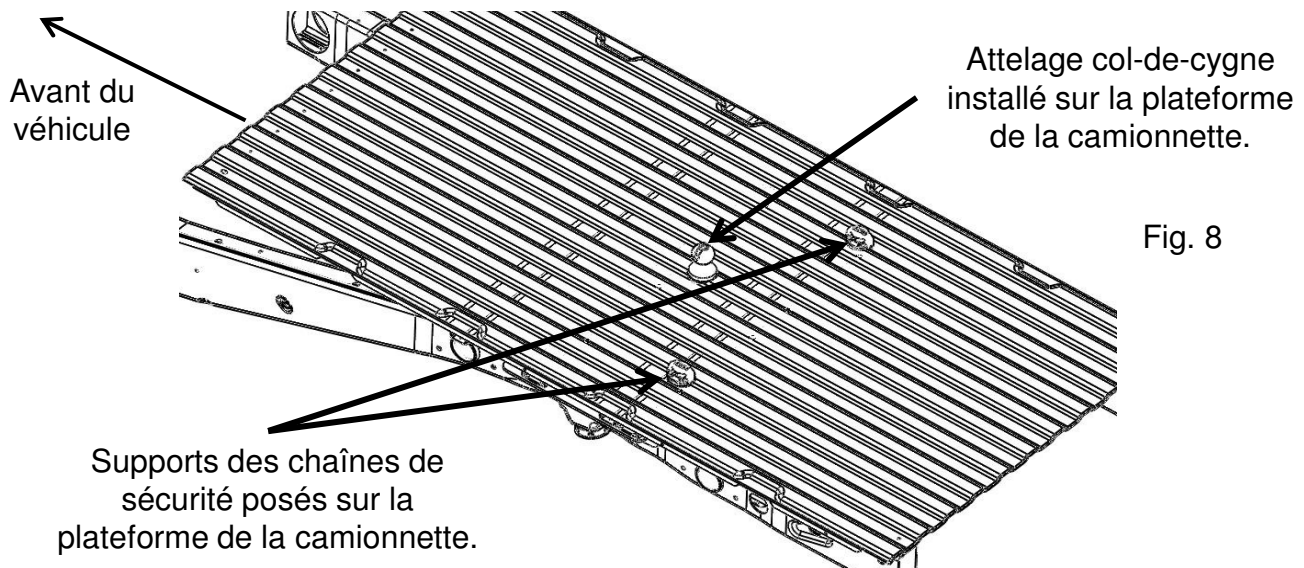


Fig. 8

SYSTÈME D'ATTELAGE col-de-cygne *REESE™ Elite® Series*

RENSEIGNEMENTS IMPORTANTS SUR LE REMORQUAGE

PROPRIÉTAIRES D'ÉQUIPEMENT DE REMORQUAGE : Assurez-vous que tous les utilisateurs de votre équipement liront et comprendront cette information avant le remorquage. Conservez ces renseignements pour consultation ultérieure. Ils vous seront utiles pour utiliser et entretenir correctement votre équipement de remorquage. Consultez les manuels du véhicule de remorquage, de la remorque et des autres composants de votre système de remorquage. Apprenez quelles sont les capacités et limites de chaque composant. LE POIDS BRUT DE LA REMORQUE et la CHARGE VERTICALE constituent les deux éléments les plus importants à considérer. CES POIDS ET CHARGE NE DOIVENT JAMAIS DÉPASSER LA CAPACITÉ NOMINALE LA MOINS ÉLEVÉE DE N'IMPORTE QUEL COMPOSANT DE VOTRE SYSTÈME DE REMORQUAGE. LE POIDS BRUT DE LA REMORQUE correspond au poids de la remorque plus la charge qu'elle transporte. Mesurez le POIDS BRUT DE LA REMORQUE en plaçant la remorque pleinement chargée sur une balance à véhicule. La CHARGE VERTICALE correspond à la force exercée par en bas sur la boule de remorquage par le coupleur de la remorque. Utilisez une balance à véhicule pour mesurer la CHARGE VERTICALE, remorque pleinement chargée sur une surface de niveau et coupleur à hauteur de remorquage normale.

COUPLEURS DE REMORQUE

Le coupleur doit être lisse, propre et légèrement lubrifié. Procédez aux ajustements selon les instructions du fabricant du coupleur.

CHAÎNES DE SÉCURITÉ

Attachez les chaînes correctement À CHAQUE FOIS QUE VOUS REMORQUEZ. Fixez-les fermement dans les maillons de chaîne de façon à ce qu'elles ne puissent se détacher pendant le transport. Laissez uniquement le jeu qu'il faut pour effectuer un virage complet. Un jeu trop important peut empêcher les chaînes de garder le contrôle lorsque d'autres connexions lâchent.

FEUX DE REMORQUE, SIGNAUX DE DIRECTION, CONNEXIONS ÉLECTRIQUES ET INTERRUPTEUR DE RUPTURE D'ATTELAGE
Effectuez ces connexions critiques À CHAQUE FOIS QUE VOUS REMORQUEZ, peu importe la distance à parcourir. Avant de prendre la route, vérifiez le fonctionnement du système, y compris la commande manuelle des freins électriques.

AUTRE ÉQUIPEMENT UTILE

LES RESSORTS PNEUMATIQUES, LES AMORTISSEURS PNEUMATIQUES, ou LES RESSORTS AUXILIAIRES sont utiles dans certaines applications. Un REFRIGÉRATEUR DE TRANSMISSION peut s'avérer nécessaire pour le remorquage lourd. Plusieurs États ou provinces exigent des MIROIRS DE REMORQUAGE des deux côtés.

GONFLAGE DES PNEUS

Vérifiez souvent la pression des pneus. Respectez les recommandations des fabricants de la remorque et du véhicule de remorquage.

VÉRIFIEZ VOTRE ÉQUIPEMENT/REPLACEZ LES PIÈCES USÉES

Vérifiez la boule, le coupleur, les chaînes et les autres connexions À CHAQUE FOIS QUE VOUS REMORQUEZ. Vérifiez de nouveau lors des haltes à la station-service ou à l'aire de repos.

AUCUN PASSAGER DANS LA REMORQUE !

Ne faites jamais monter une personne dans la remorque pendant un déplacement, sous aucune circonstance.

CHARGEMENT DE LA REMORQUE

Placez les objets lourds sur le plancher, à l'avant de l'essieu. Équilibrez la charge d'un côté à l'autre. Attachez les charges pour prévenir son déplacement. Ne placez JAMAIS de lourdes charges sur l'arrière de la remorque. PLACEZ LES LOURDES CHARGES SUR L'AVANT, MAIS N'EXCÉDEZ JAMAIS LE POIDS MAXIMAL AU TIMON SPÉCIFIÉ POUR L'ATTELAGE.

CONDUITE

Le poids additionnel de la remorque affecte l'accélération, le freinage et la manœuvre. Calculez plus de temps pour les dépassements, les arrêts et les changements de voie. Une remorque à col-de-cygne requiert un rayon de virage important puisqu'elle a tendance à emprunter l'intérieur du virage. Les mauvaises bosses peuvent endommager le véhicule de remorquage, l'attelage et la remorque. Conduisez lentement sur les routes en mauvais état. ARRÊTEZ LE VÉHICULE ET PROCÉDEZ À UNE INSPECTION MINUTIEUSE SI UNE PARTIE QUELCONQUE DE VOTRE SYSTÈME DE REMORQUAGE HEURTE LA ROUTE. CORRIGEZ TOUT PROBLÈME AVANT DE POURSUIVRE LE TRAJET.

AVERTISSEMENT

N'EFFECTUEZ PAS DE MODIFICATIONS. Pour éviter la perte de contrôle, ne remorquez jamais une remorque attelée à l'arrière d'une autre. L'omission d'observer ces mises en garde et instructions peut entraîner des accidents de la route, des dommages matériels, des blessures graves, voire même le décès.

REMARQUES

GARANTIE LIMITÉE DE SEPT ANS

Cequent Performance Products, Inc. garantit, pendant une période de 7 ans à compter de la date d'achat, ses attelages à col-de-cygne *REESE™ Elite® Series* contre les vices de matières et de fabrication (à l'exception de l'usure normale) apparus dans le cadre d'un usage et d'un entretien normaux, et ce à condition que le propriétaire soit l'acheteur d'origine et qu'un ensemble de montage Cequent Performance Products, Inc. ait été utilisé.

Cequent Performance Products, Inc. remplacera SANS FRAIS toute pièce qui s'avère défectueuse suite à un vice de matière ou de fabrication lorsqu'elle sera présentée à un concessionnaire Cequent Performance Products, Inc. à un entrepôt Cequent Performance Products, Inc. ou retournée à l'usine. PORT PAYÉ, à l'adresse ci-dessous. CETTE GARANTIE SE LIMITE AU REMPLACEMENT DES PIÈCES DÉFECTUEUSES SEULEMENT. ELLE NE COUVRE NI LES FRAIS DE MAIN-D'ŒUVRE, NI LES DOMMAGES SUBIS LORS DE L'INSTALLATION OU DU REMPLACEMENT, Y COMPRIS LES DOMMAGES ACCESSOIRES OU INDIRECTS.

Certains États ou provinces ne permettant pas d'exclure ou de restreindre les dommages accessoires ou indirects, il se peut que la restriction ou l'exclusion ci-dessus ne vous concerne pas.

Tout dommage à l'attelage col-de-cygne *REESE™ Elite® Series* attribuable à une mauvaise utilisation, un usage abusif, la négligence, un accident, une installation inadéquate, ou à toute utilisation contraire aux instructions fournies par nous, ANNULERA LA GARANTIE.

Certains droits particuliers vous sont dévolus en vertu de la présente garantie et peuvent s'accompagner d'autres droits qui varient selon votre lieu de résidence. Dans l'éventualité d'un problème avec le service de la garantie ou le rendement du produit, il se peut que vous puissiez recourir à la cour des petites créances ou une cour d'une autre juridiction.

**Cequent Performance Products, Inc.
47912 Halyard Dr. Suite 100
Plymouth, MI. 48170**