

Installation Instructions

GOOSENECK MOUNTING KIT

Ford F-150

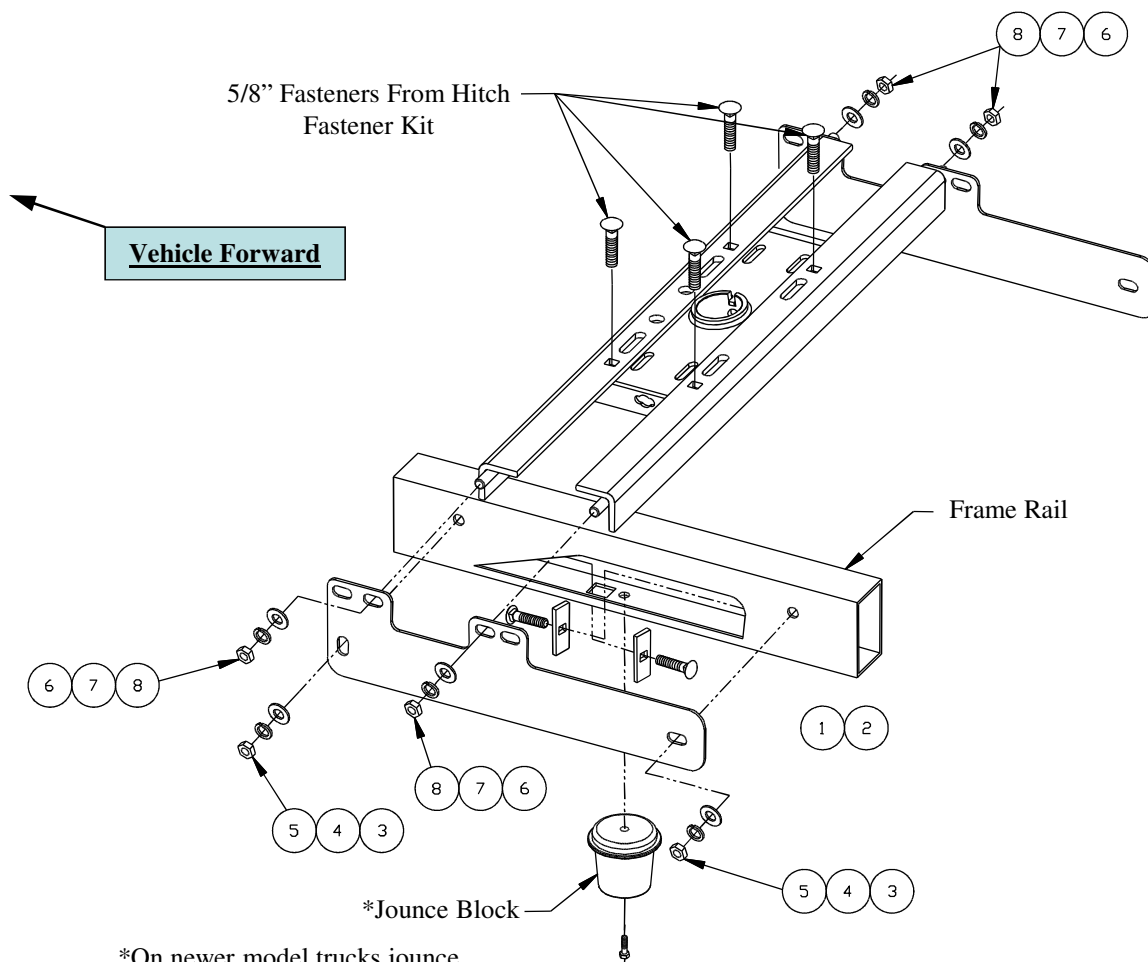
Part Numbers:
4437

WARNING: Under no circumstances do we recommend exceeding the towing vehicle manufacturers recommended vehicle towing capacity.

Equipment Required:

- Fastener Kit:** 4437F
Wrenches: 13mm, 3/4, 7/8, 15/16
Drill Bits: 1/4"
Other Tools: Drill

9465/9475 Hide-A-Goose Installation



*On newer model trucks jounce block cannot be removed. Use slot on inside of truck frame rail to pull carriage bolts and blocks in to place.

Figure 1

1	Qty. (4)	Carriage Bolt, 1/2-13 X 1.75 Gr5	6	Qty. (4)	Flat Washer, 5/8
2	Qty. (4)	Block, 1/4 X 1.00 x 3.00	7	Qty. (4)	Lock Washer, 5/8
3	Qty. (4)	Flat Washer, 1/2	8	Qty. (4)	Hex Nut, 5/8
4	Qty. (4)	Lock Washer, 1/2	9	Qty. (8)	Shim, 3/16 X 1.00 X 2.00
5	Qty. (4)	Hex Nut, 1/2			

Installation Instructions

Part Numbers:

HIDE-A-GOOSE

4437

Ford F-150

NOTES:

- This section of instructions refers to installing the 9465 or 9475 head only.
- Always make sure the ball is fully locked before towing.
- Keep the ball and ball sleeve well lubricated.
- Periodically re-torque all the hitch fasteners.
- Check ball, hitch coupler, safety chains and other connections for proper operation every time you tow.

Warning:

- ❖ The tow vehicle manufacturers recommended towing capacities should **UNDER NO CIRCUMSTANCES** be exceeded.
- ❖ Check for adequate clearance between the gooseneck trailer and the rear of the cab and the rear of the truck box before installing hitch.
- ❖ All trucks have fuel lines, brake lines and electrical wiring located along the vehicle frame where the rail kit installs. Carefully examine the location of fuel lines, brake lines and electrical wires before installation and be certain not to damage these when positioning the hitch components. Be careful when drilling holes, cutting sheet metal and tightening fasteners as to not limit the integrity of these systems.

Hide-A-Goose Only – Drilled hole in bed location.

Short Box – 45-3/4 inches

Long Box – 45-3/4 inches

Hide-A-Goose Installation Instructions

When installing the 9465/9475 Hide-A-Goose hitch, a hole must be drilled in the bed of the truck. Mark and drill a 1/4 inch hole **45-3/4 inches (short box and long box)** from the rear of the bed and centered between the wheel wells. Using a hole saw, enlarge the pilot hole to the final diameter. Refer to the 9465/9475 Hide-A-Goose hitch instruction sheet for hole size.

1. Slide the forward and rearward cross members between the frame rail and the bed of the vehicle as shown in Figure 2. The forward cross member has (2) additional holes centered between the long slots.
2. From underneath the vehicle, insert carriage bolts into the outside square holes of the cross members.
3. Loosely install 9465/9475 head to evenly position the rails (refer to 9465/9475 instruction sheet for head mounting and installation). Sometimes it may be easier to do Step 4 & 5 first then install 9465/9475.
4. On older model trucks remove the jounce blocks from the underside of the frame rails and use the pull wire to insert the carriage bolts and blocks into the bracket mounting locations. On newer model trucks you can pull fasteners in to position through slot on inside of truck frame rail.
5. Install the hitch frame brackets by aligning the threaded studs on the ends of cross members to the inner slots of the brackets, then aligning the mounting slots to the carriage bolts inserted in installation step 4.
6. Loosely install the flat washers, lock washers, and hex nuts to the frame bracket.
7. Align the sleeve of the Hide-A-Goose hitch with the hole drilled in the vehicle bed, and torque the hitch fasteners to the cross members to 212 ft.-lb. (287 N-m).
8. Torque the 5/8-11 GR5 fasteners that attach the cross members to the brackets to 150 ft.-lb. (203 N-m).
9. Torque the 1/2-13 GR5 fasteners that attach the brackets to the frame rail to 75 ft.-lb. (102 N-m).
10. If removed re-install jounce blocks to the underside of the frame rails.

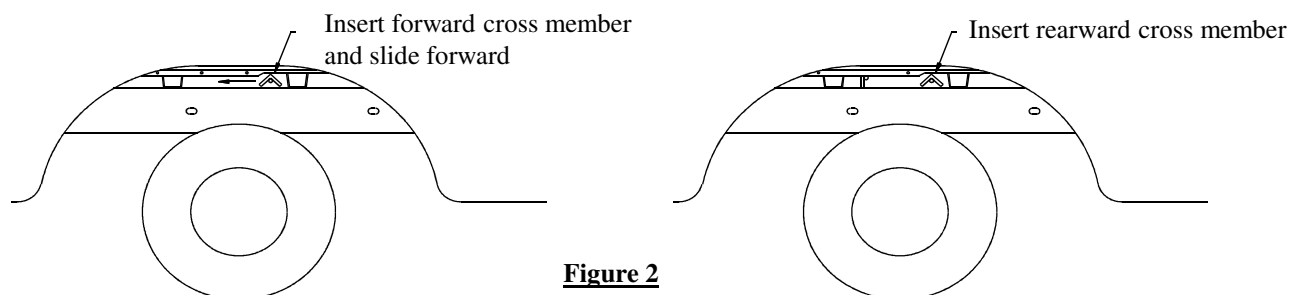


Figure 2

Installation Instructions

GOOSENECK MOUNTING KIT

Ford F-150

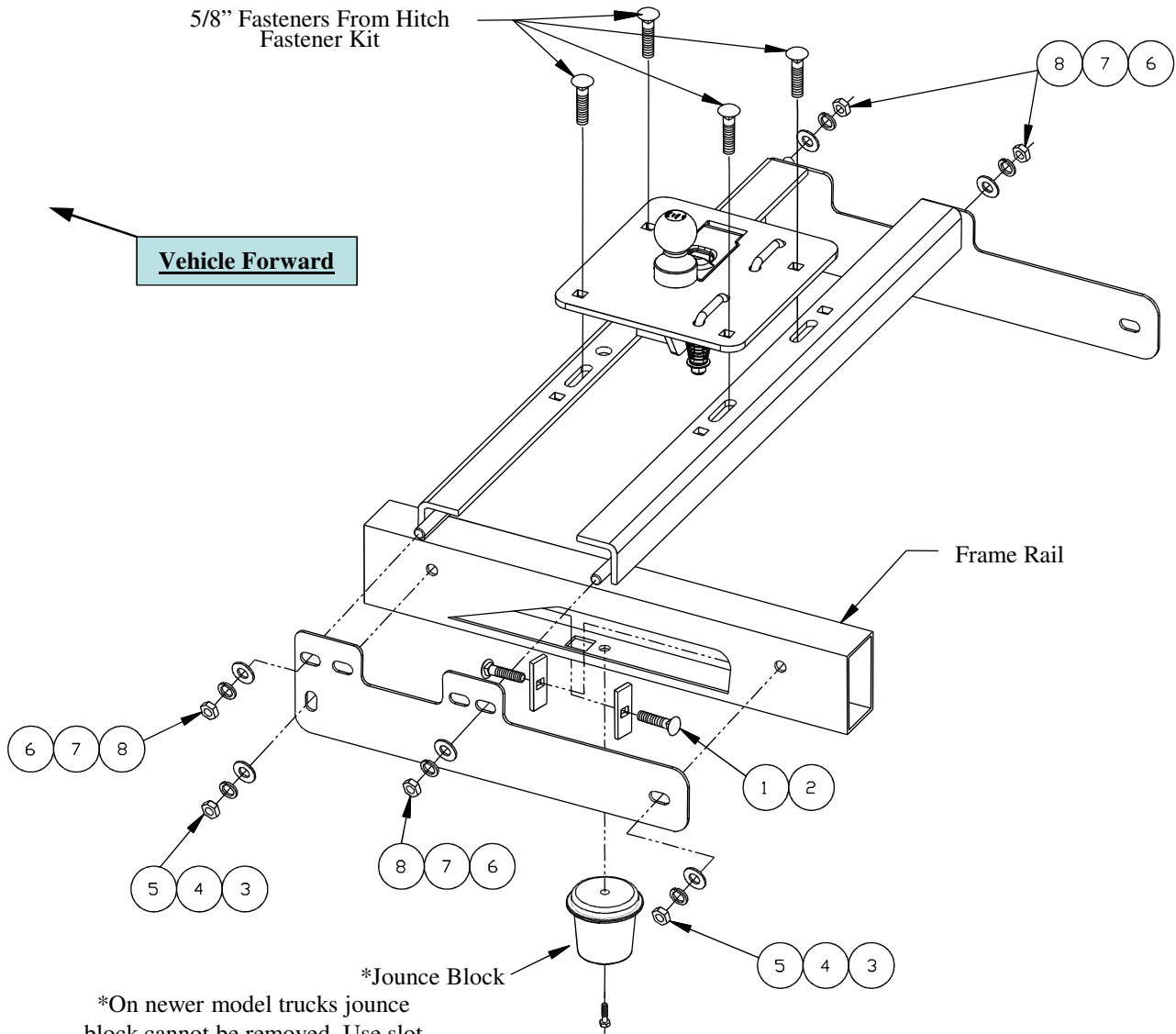
Part Numbers:
4437

WARNING: Under no circumstances do we recommend exceeding the towing vehicle manufacturers recommended vehicle towing capacity.

Equipment Required:

- Fastener Kit:** 4437F
Wrenches: 13mm, 3/4, 7/8, 15/16
Drill Bits: 1/4"
Other Tools: Drill

6300/630044/8339 Gooseneck Installation



*On newer model trucks jounce block cannot be removed. Use slot on inside of truck frame rail to pull carriage bolts and blocks in to place.

Figure 1

1	Qty. (4)	Carriage Bolt, 1/2-13 X 1.75 Gr5	6	Qty. (4)	Flat Washer, 5/8
2	Qty. (4)	Block, 1/4 X 1.00 x 3.00	7	Qty. (4)	Lock Washer, 5/8
3	Qty. (4)	Flat Washer, 1/2	8	Qty. (4)	Hex Nut, 5/8
4	Qty. (4)	Lock Washer, 1/2	9	Qty. (8)	Shim, 3/16 X 1.00 X 2.00
5	Qty. (4)	Hex Nut, 1/2			

Installation Instructions

HIDE-A-GOOSE

Ford F-150

Part Numbers:

4437

NOTES:

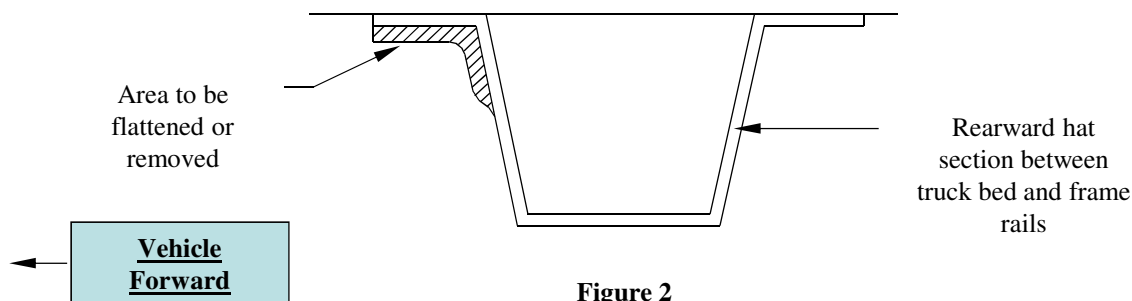
- This section of instructions refers to installing the 6300, 630044 or 8339 head only.
- Always make sure the ball is fully locked before towing.
- Keep the ball and ball pocket well lubricated.
- Periodically re-torque all the hitch fasteners.
- Check ball, hitch coupler, safety chains and other connections for proper operation every time you tow.

Warning:

- ❖ The tow vehicle manufacturers recommended towing capacities should **UNDER NO CIRCUMSTANCES** be exceeded.
- ❖ Check for adequate clearance between the gooseneck trailer and the rear of the cab and the rear of the truck box before installing hitch.
- ❖ All trucks have fuel lines, brake lines and electrical wiring located along the vehicle frame where the rail kit installs. Carefully examine the location of fuel lines, brake lines and electrical wires before installation and be certain not to damage these when positioning the hitch components. Be careful when drilling holes, cutting sheet metal and tightening fasteners as to not limit the integrity of these systems.

6300/630044 Remove-A-Ball and 8339 Fold Down Gooseneck Installation

1. On some model years, the rearward hat section of the vehicle bed will have two sheet metal reinforcements that will need to be flattened or removed from each side of the vehicle, see Figure 2 for locations.
2. Slide the forward and rearward cross members between the frame rail and the bed of the vehicle as shown in Figure 3. The forward cross member has (2) additional holes centered between the long slots.
3. On older model trucks remove the jounce block from the underside the frame rails and use the pull wire to insert the carriage bolts and blocks into the bracket mounting locations. On newer model trucks you can pull fasteners through slot on inside of truck frame rail.
4. Install the hitch frame brackets by aligning the threaded studs on the ends of cross members to the outer set of slots of the brackets, then aligning the mounting slots to the carriage bolts inserted in installation step 3.
5. Loosely install the flat washers, lock washers, and hex nuts to the frame bracket.
6. With the rearward cross member positioned against the rearward hat section of the bed, torque the 5/8-11 GR5 fasteners that attach the rearward cross member to the brackets to 150 ft.-lb. (203 N-m). Torque the 1/2-13 GR5 fasteners that attach the brackets to the vehicle frame rails to 75 ft.-lb. (102 N-m).
7. If removed re-install jounce blocks to the underside of the frame rails.



Installation Instructions

Gooseneck Mounting Kit

Ford F-150

Part Numbers:

4437

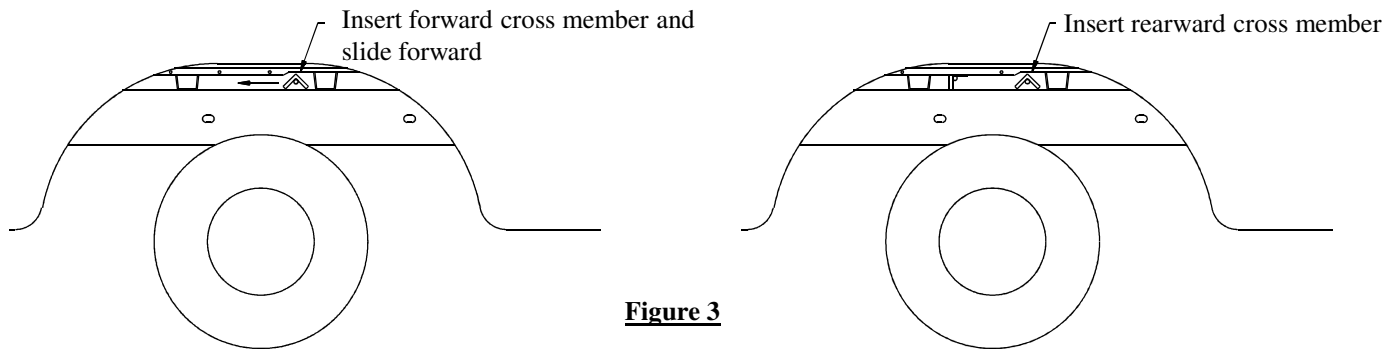


Figure 3

⚠ WARNING The fuel tank and/or other vehicle components are located below some of the holes. A wood or metal shield must be placed between the frame and the fuel tank to prevent puncturing the fuel tank when the drill breaks through the bed.

8. **For 6300/630044 & 8339** use **outer** edges of the long slots in the rearward cross member as a template to drill 5/8" diameter holes through the truck bed as shown in Figure 4. Not all holes can be drilled from under the vehicle, but will be done later from inside the bed.
9. Align the holes on the template (provided with gooseneck hitch) with the hole previously drilled through the bed. Be sure that the template is properly oriented toward the front of the vehicle. Center punch the holes that will be used to cut the opening in the bed. If the vehicle is equipped with a bed liner, a section of the bed liner must be cut away so that the gooseneck hitch can contact the bed corrugations.

6300/630044/8339 Hole Locations

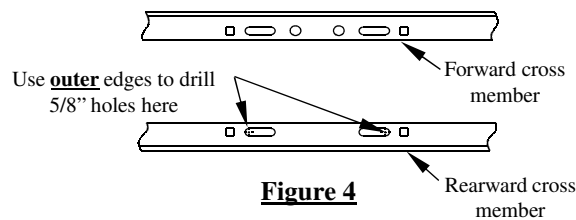
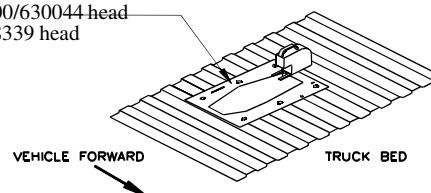


Figure 4

Template p/n 5978 for use with 6300/630044 head
Template p/n 114234 for use with 8339 head

A durable and reusable stainless steel templates is available. A time saver for cutting bed liner and bed.
Template p/n 6425 for use with 8339 head



10. Drill 1/4" pilot holes (size will depend on width of blade in saber saw).
11. Cut out the truck bed. File edges as needed.
12. Install hitch into opening.
13. Using the hitch as a guide to drill the 5/8" diameter mounting holes through the forward cross member. Also drill 5/8" diameter U-Bolt holes if installing a 6300 or 8339 gooseneck hitch.
14. Before installing the 5/8" carriage bolts through the hitch, the U-block shims (Part Number 5971) must be placed between the hitch and the bed. These shims are necessary to prevent the bed corrugations from collapsing when the bolts are tightened.

Installation Instructions

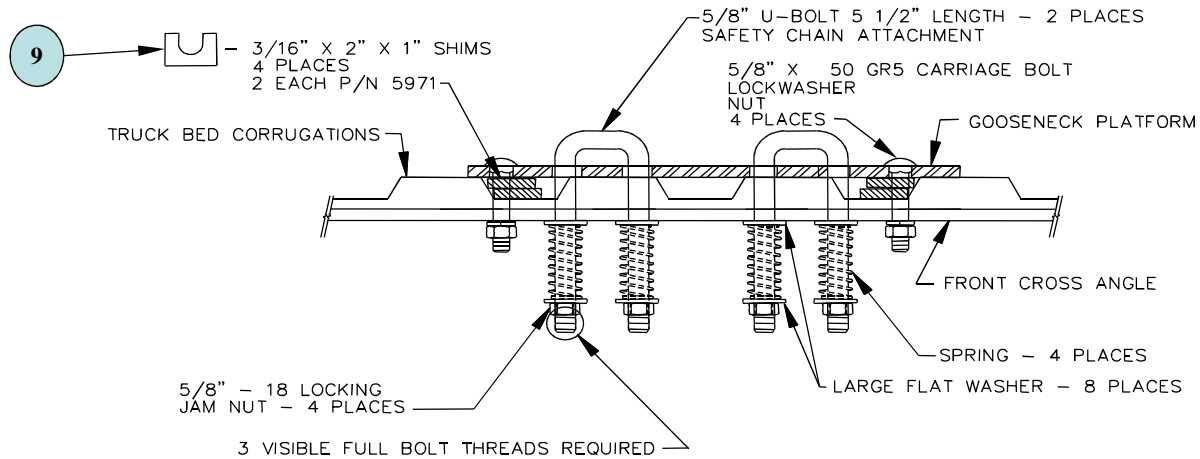
Gooseneck Mounting Kit

Ford F-150

Part Numbers:

4437

15. Align the forward cross member with 5/8" diameter drilled holes.



16. Install the 5/8" X 2.50 GR5 carriage bolts through the hitch, shims and cross members. Secure with lock washers and nuts. Torque nuts to 150 Ft.-Lb.
17. **For 6300/630044 and 8339 Installations:** Install the (2) U-Bolts through the hitch and from under the vehicle install large flat washer over the U-Bolt followed by a spring, another large flat washer and secure with a thin 5/8" jam nut. Repeat for other legs of the U-Bolts. The 5/8" jam nuts are tightened until 3 threads are visible past the bottom of the jam nut.
18. Torque the 5/8 hex nuts, lock washers, and flat washer that attach the forward cross member to the brackets to 150 ft.-lb. (203 N-m).