



TransRACK

Top Rail Kit

Product No.
70552



- Mounts to TransRACK truck rack cross bars
- Stainless Steel hardware
- Light-weight Aluminum extrusion
- Extends support over the cab
- Wear-resistant natural finish
- Aerodynamic design
- Increases stability of truck rack.
- No-drill installation



**THIS INSTRUCTION BOOKLET CONTAINS IMPORTANT SAFETY INFORMATION.
PLEASE READ AND KEEP FOR FUTURE REFERENCE.**

Cequent Consumer Products, Inc.,
29000-2 Aurora Road, Solon, OH 44139

HELP HOTLINE: 1-800-234-6992

www.cequentconsumerproducts.com

Date of Purchase _____

CAUTION!

Read, understand and follow all warnings and instructions before using this product. Failure to follow these directions may result in property damage, serious bodily injury, and/or death. Cequent Consumer Products is not responsible for any property damage, personal injury, or death occurred while using any Reese Carry Power products. Retain these instructions for future reference.

WARNING!

- Do not exceed the lesser of the maximum load capacity of 800 lbs. (evenly distributed) or the vehicle manufacturer's specified load capacity for rail mounted accessories. "Distributed load" is defined as a load that is not concentrated in a small area.
- Any load carried above the bed rails will increase your truck's center of gravity and will significantly hinder your trucks ability to maneuver, stop turn or accelerate. Avoid sharp turns and excessive speeds as this will increase risks.
- This truck rack is solely intended for, and only safe for, transporting ladders, lumber, pipe and other similar materials or recreational items such as canoes and kayaks.
- Ladder damage will occur from road shock and vehicle vibration if the ladder is not properly secured to the rack. The bouncing side to side motion of an improperly secured ladder will cause wear and weaken the ladder. Using a damaged ladder could lead to a structural collapse and could result in a serious injury or death.
- Any modification or unintended use of this product voids any warranty and could create a hazardous condition that may result in property damage, serious bodily injury and/or death. The sole exception being permanent mounting within the prescribed method.
- Always secure long loads to front and rear of vehicle for safe transport.
- Do not use in truck beds that have excessive rust as it may decrease the capacity and result in product and/or bed failure.
- Truck beds with liners may require modification prior to use of the product.
- The installation and use of any rail mounted accessory may cause minor aesthetic damage to the vehicle exterior. Cequent Consumer Products makes no claims or warranties whatsoever as to a particular vehicle's ability to support rail mounted accessories without incurring damage.

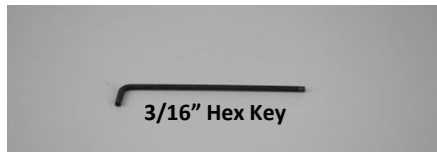
IMPORTANT!

- Loads that exceed the vehicle manufacturer cargo and / or entire gross vehicle weight (GVW) rating, are not covered by this warranty.
- Consult and follow your vehicle manual for capacity ratings.
- Always evenly distribute load on rack before driving.
- Loads must be secure according to local height and identification regulations and or laws.
- Secured loads and connections must be re-checked periodically for tightness.
- Overloading the vehicles GVW may cause damage and severely alter the vehicle's handling and braking characteristics and or cause the vehicle to roll over.
- It is recommended the tailgate be in the up position during use to better stabilize the truck bed.
- Always obey posted speed limits and traffic cautions.
- Lubricate with an anti-seize lubricant for best long term performance of stainless steel hardware.
- Failure to follow these warnings or instructions will void the warranty.
- Some vehicle manufacturers require a reinforcing kit. Contact your dealership for details.
- The TransRACK rail kit is based on vehicle design available at the revision of these instructions. The TransRACK top rail kit is designed to fit a variety of bed lengths and cab designs.

TOOLS REQUIRED



5/16" & 7/16" Sockets



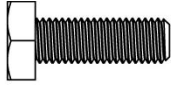
3/16" Hex Key



Phillips Screwdriver

PARTS INCLUDED

(12) 1/4-20 X 3/4" HEX BOLT



(48) 10-24 LOCK NUT



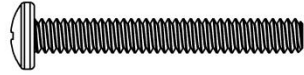
(12) 1/4-20 X 3/4" SOCKET HEAD CAP SCREW



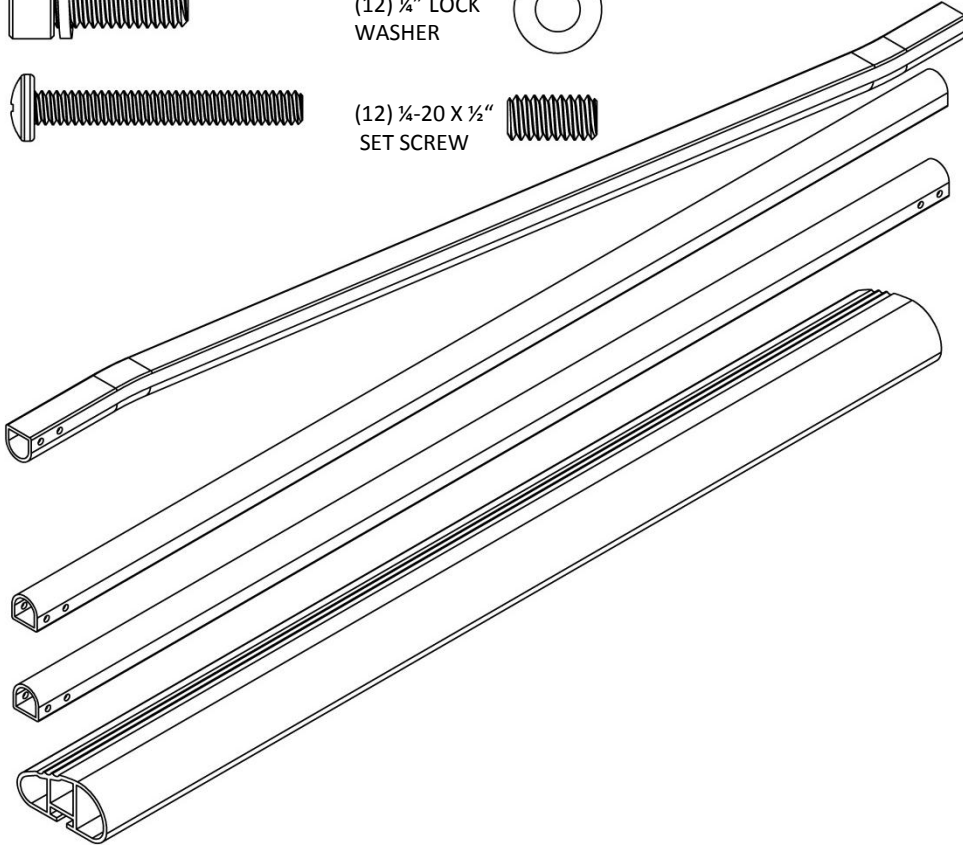
(12) 1/4" LOCK WASHER



(48) 10-24 X 1-1/2" MACHINE SCREW



(12) 1/4-20 X 1/2" SET SCREW



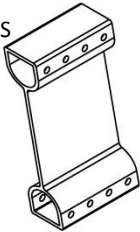
(2) ANGLED RAILS

(2) FRONT RAILS

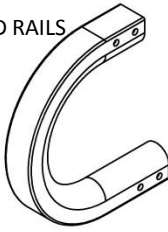
(8) STRAIGHT RAILS

(2) CROSS BARS

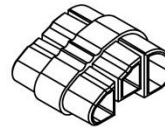
(6) CONNECTING PLATES



(2) CURVED RAILS



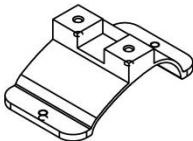
(1) CONNECTING INSERT



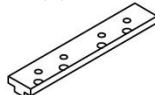
(6) CLAMP BOTTOMS



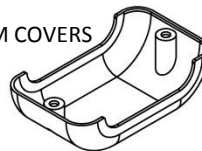
(6) CLAMP TOPS



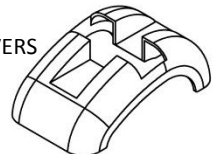
(1) KEY



(6) BOTTOM COVERS



(6) TOP COVERS



(4) SHORT STRAPS



(2) TALL STRAPS



(1) RIGHT CAP



(1) LEFT CAP

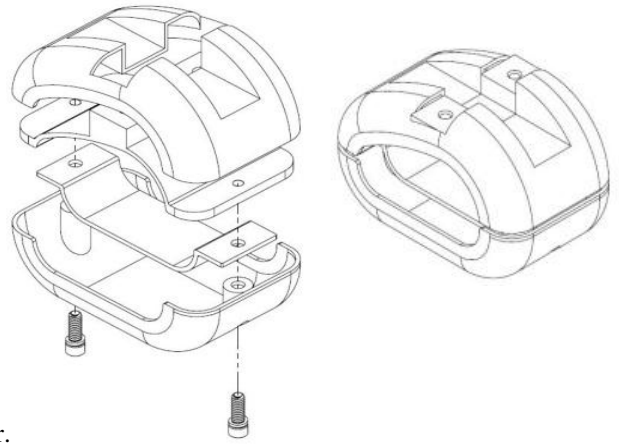


(2) FRONT CAPS



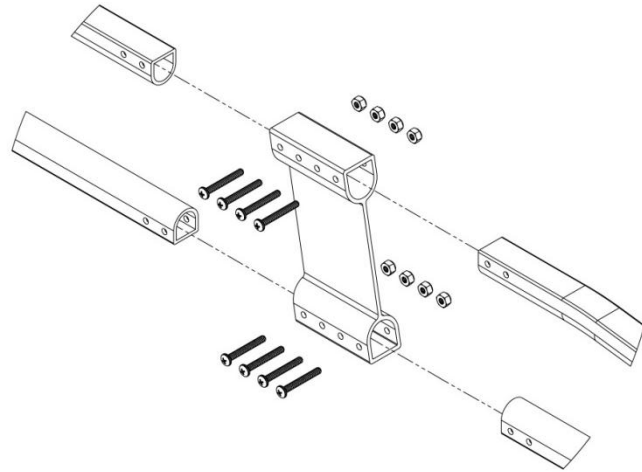
1

- Snap top cover onto top clamp.
- Loosely thread two 1/4-20 socket head cap screws through the bottom cover and clamp bottom into the clamp top as shown. Repeat this step 5 more times. Set these aside.

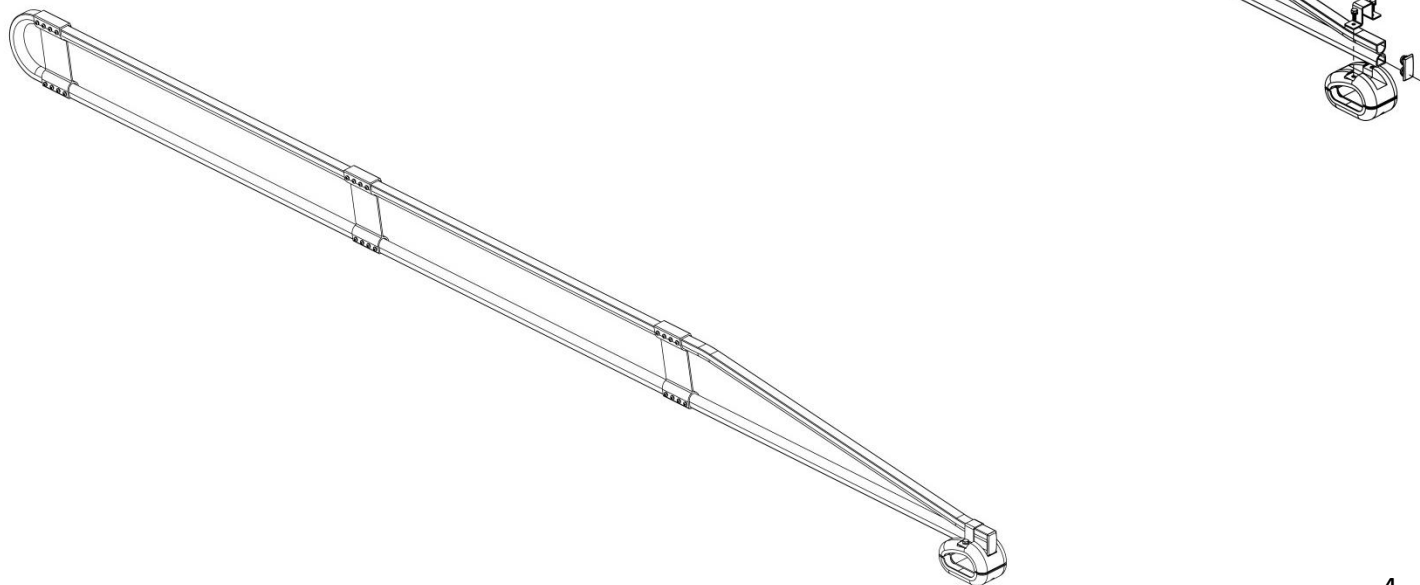


2

- Assemble the two side rails starting at the rear.
- Connect a curved rail to a connecting plate using (4) 10-24 x 1-1/2" screws and (4) 10-24 lock nuts.
- Connect (2) straight rails to the connecting plate in the same manner.
- Add a connecting plate to the free end of the rails and repeat.
- Add the front rail and angled rail.

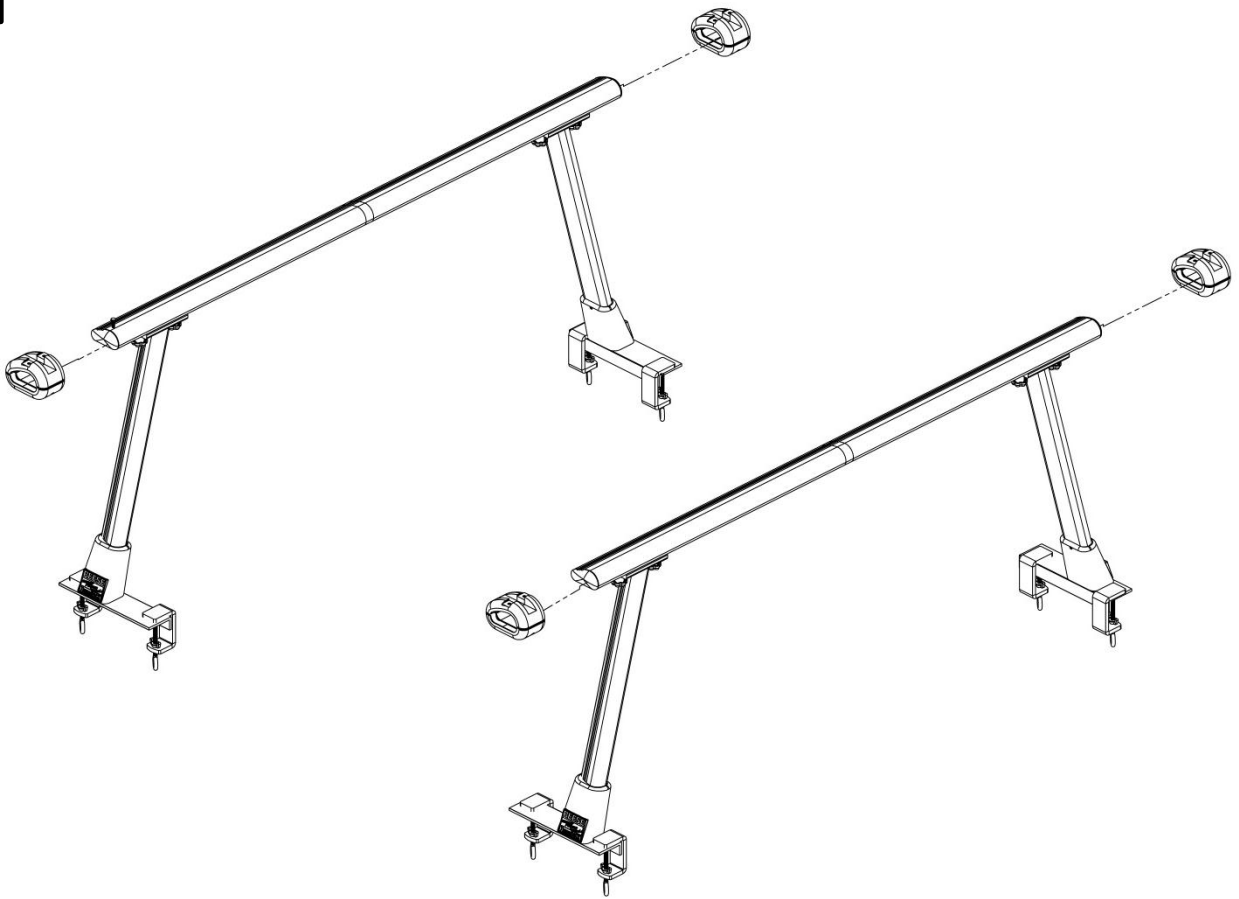


- Set the front rail into the channel of a previously assembled clamp. Position it such that the rails protrude just slightly in front of the clamp cover.
- Place a tall strap over the angled rail and attach it to the clamp using (2) 1/4-20 x 3/4" long hex bolts and (2) 1/4" lock washers.
- Install the front caps in the ends of the two rails.

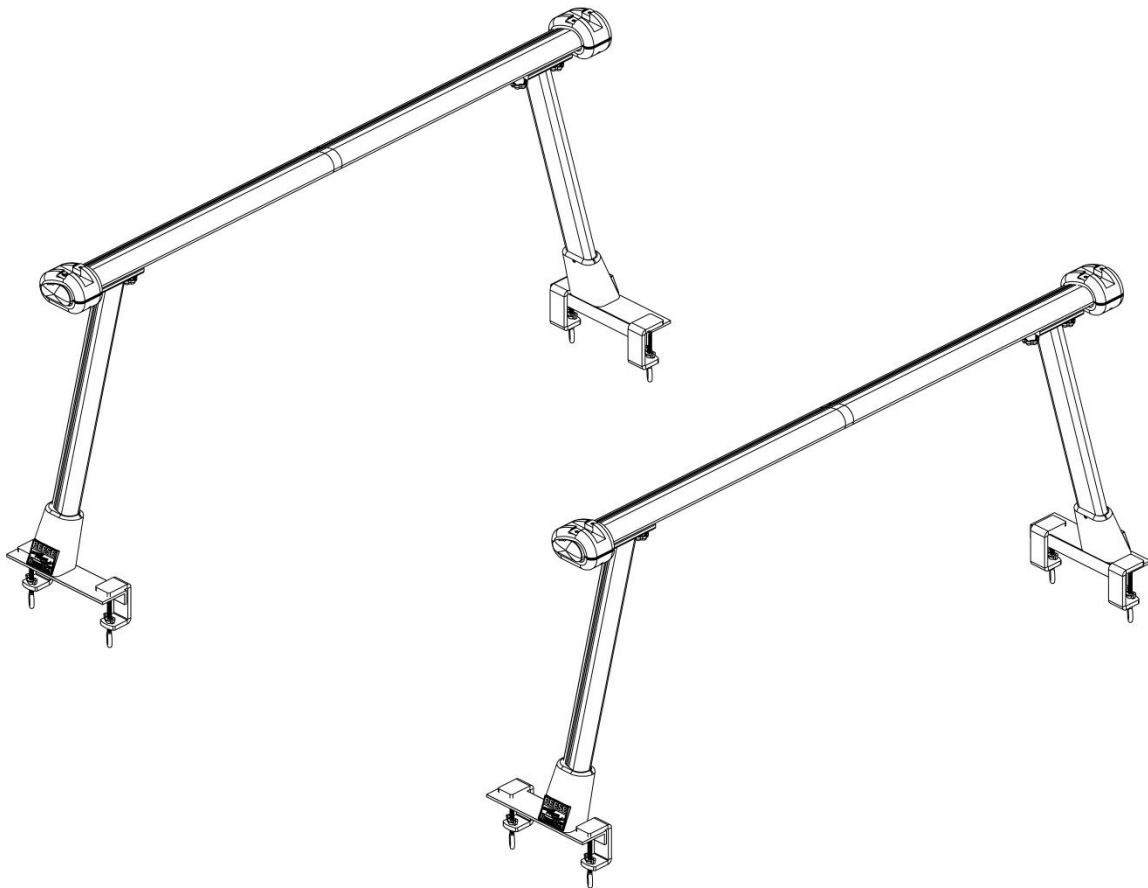


3

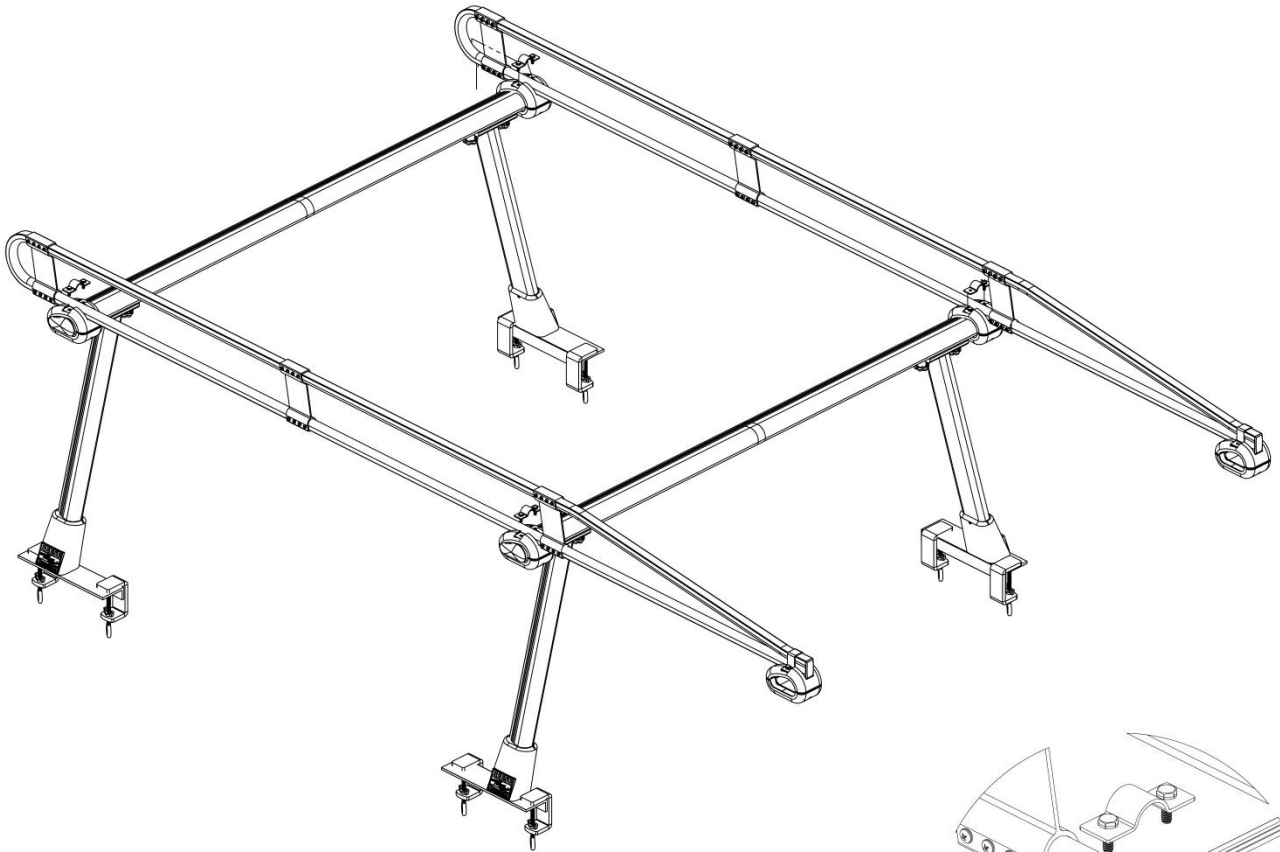
- Slide (4) previously assembled clamps over the ends of your truck rack cross bars .



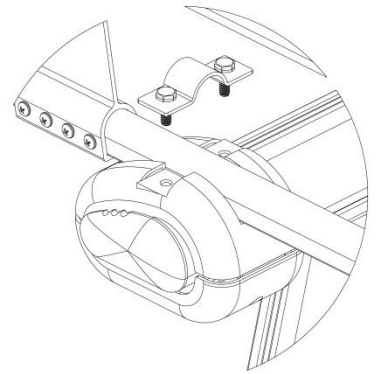
- Do not tighten clamps. You may need to move them slightly in the next several steps.



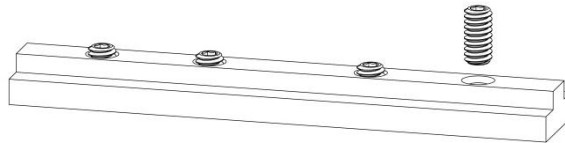
- Place the previously assembled side rails into the channels of the previously installed clamps.



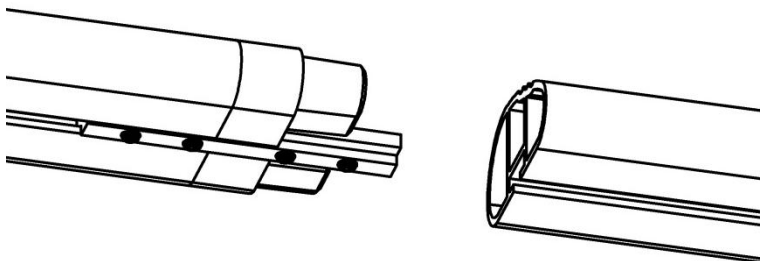
- Attach the side rails to each of the four clamps with (1) short strap, (2) $\frac{1}{4}$ -20 x $\frac{3}{4}$ " long hex bolts and (2) $\frac{1}{4}$ " lock washers on each clamp.
- Do not tighten completely. You may need to slide rails forward or back slightly before assembly is complete.



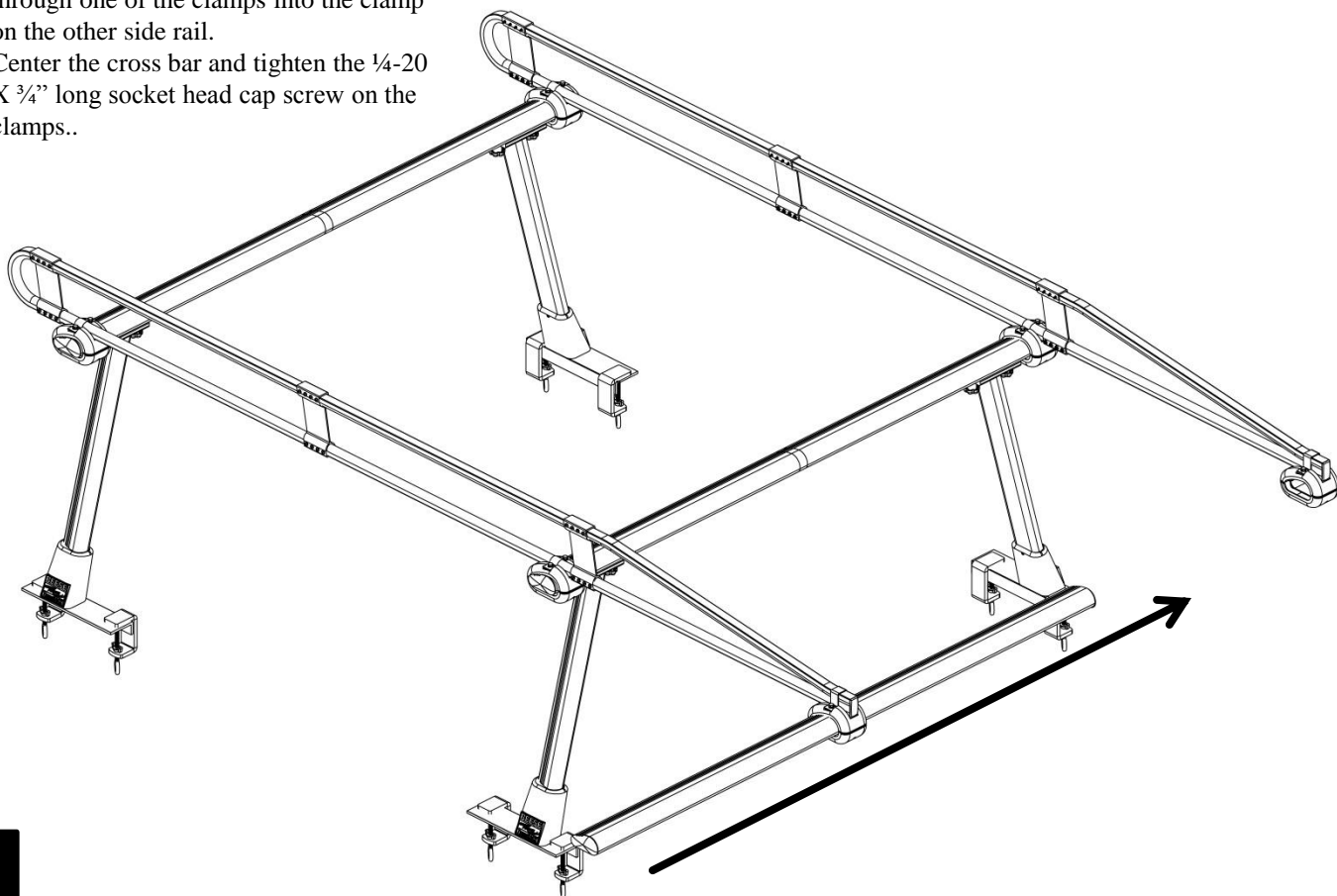
- Insert (4) $\frac{1}{4}$ -20 set screws into the cross bar key. Make sure they do not protrude out the other side



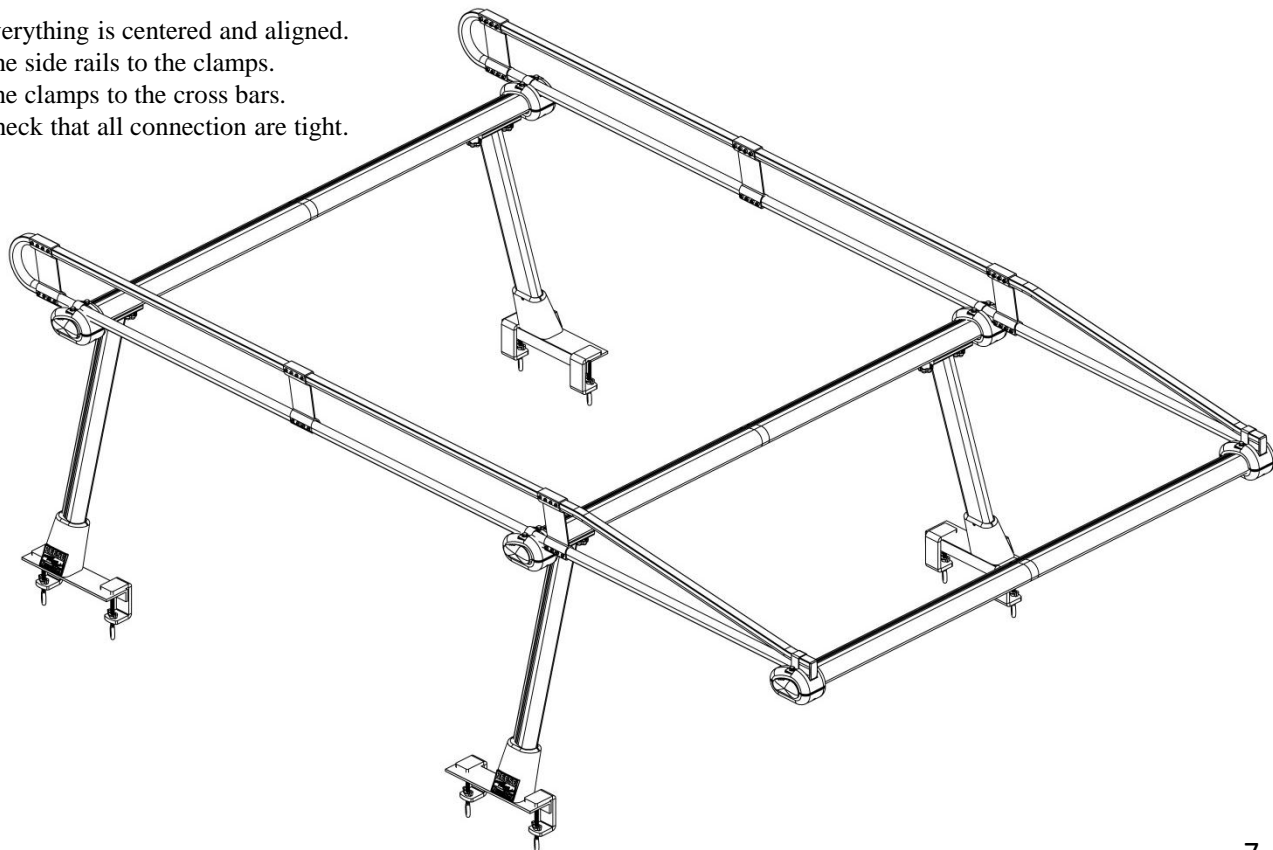
- Insert the connecting insert into one of the cross bars. Slide key into keyway. Then slide remaining cross bar onto connecting insert and cross bar key. Tighten all four set screws.



- Slide the assembled cross bar all the way through one of the clamps into the clamp on the other side rail.
- Center the cross bar and tighten the $\frac{1}{4}$ -20 X $\frac{3}{4}$ " long socket head cap screw on the clamps..



- Ensure everything is centered and aligned.
- Tighten the side rails to the clamps.
- Tighten the clamps to the cross bars.
- Double check that all connection are tight.



REESE Two Year Limited Warranty

This warranty applies solely to Carry Power TransRACK products manufactured by Cequent Consumer Products, Inc. and sold under the "Reese" brand (the "Product").

1. **Warranty.** Cequent Consumer Products, Inc. warrants to the original consumer purchaser ("You") that the Product will be free from defects in material or workmanship for two years from the date of your retail purchase. Cequent Consumer Products, Inc. makes no other warranties. If the Product does not comply with the Warranty, Cequent Consumer Products, Inc. will replace the Product without charge and within a reasonable time or, at Cequent Consumer Products, Inc. option, otherwise refund the purchase price.
2. **Limitations on the Warranty.** The Warranty does not cover the following: (a) normal wear and tear; (b) service or labor charges incurred in removing or replacing any Product; (c) the finish on the Product; (d) a Product that has been damaged through abuse, neglect, misuse or as a result of any accident or in any other manner; (e) a Product which is misapplied, overloaded, or improperly installed; and (f) a Product altered in any manner by anyone other than Cequent Consumer Products, Inc. with the exception of permanent mounting as within the prescribed method
3. **Obligations of Purchaser.** To obtain the benefits of the Warranty, You must promptly present the defective Product and proof of purchase to Cequent Consumer Products Inc., 29000-2 Aurora Road, Solon, Ohio 44139, or any of its branches, factories, or authorized dealers listed in local directories. Any returned Product that is replaced or refunded becomes the property of Cequent Consumer Products, Inc.
4. **Legal Rights.** This Warranty gives You specific legal rights, and You also may have other rights which vary from state to state. **ANY IMPLIED WARRANTY OF MERCHANTABILITY OR FITNESS FOR A PARTICULAR PURPOSE ON ANY PRODUCT SHALL BE LIMITED TO ONE YEAR FROM THE DATE OF RETAIL PURCHASE BY YOU.** Some states do not allow limitations on how long an implied warranty lasts, so the above limitation may not apply to You.
5. **Remedy Limits.** Replacement of the Product or refund in the manner provided above is Your exclusive remedy and shall constitute fulfillment of all liabilities of Cequent Consumer Products, Inc. to You whether based on contract or otherwise. Cequent Consumer Products, Inc. shall not be liable or assume responsibility for the loss of the use of any vehicle, loss of time, rental of vehicles, loss or damage to personal property, expenses such as gasoline, telephone, lodging, or towing, or any other incidental or consequential damages incurred as a result of the use or ownership of any Product. Some states do not allow the exclusion or limitation of incidental or consequential damages, so the above limitation or exclusion may not apply to You. Any of the above remedy limitations shall be inoperative to the extent they are not permitted by applicable state law.