

Adjustable Tri-Ball Mount

**Model Number:
7068900**

- Perfect for towing trailers of varying heights and couplers
- Rated up to 14k Gross Towing Weight
- Cast shank
- Integrated step with safe grip pattern
- Black powder coat finish
- Max rise 5-11/16", Max drop 4-3/4"



1-7/8" Ball

2,000 Lbs. GTW

200 Lbs. TW

2" Ball

10,000 Lbs. GTW

1,000 Lbs. TW

2-5/16" Ball

14,000 Lbs. GTW

1,400 Lbs. TW



This Instruction Sheet contains IMPORTANT safety information. Please read and keep for future reference.



For assistance with this product or to order replacement parts, please contact:

**Cequent Consumer Products, Inc.
29000-2 Aurora Road
Solon, OH 44139
Technical Service: (800) 234-6992
CequentConsumerProducts.com**

Date of Purchase: _____

⚠ WARNING

READ and Follow all Instructions and safety messages before installing using the Adjustable Tri-Ball Mount.

Failure to follow these instructions may result in DEATH or SERIOUS INJURY

The attachment of this product is critical and beyond the control of Cequent Consumer Products. Cequent Consumer Products is NOT responsible for its attachment or its installation. It neither guarantees, nor will it be liable for any damage resulting from its attachment, installation or improper use. The liability of this product is limited to its purchase price if it proves to be defective in material and/or workmanship.

- Spindle pin & clip must be re-attached before use
- Use only with couplers marked with the same hitch ball size.
- DO NOT exceed the lower load rating of ball or hitch
- DO NOT fasten safety chain to hitch ball.
- DO NOT attach tow chain, cable, rope, elastic strap, nor elastic rope to hitch ball.
- ALWAYS step on treaded surface of hitch step

This product complies with safety specifications and requirements for the state of New York, VESC regulation V-5, and CSA standard D-264 for connecting devices and towing items.

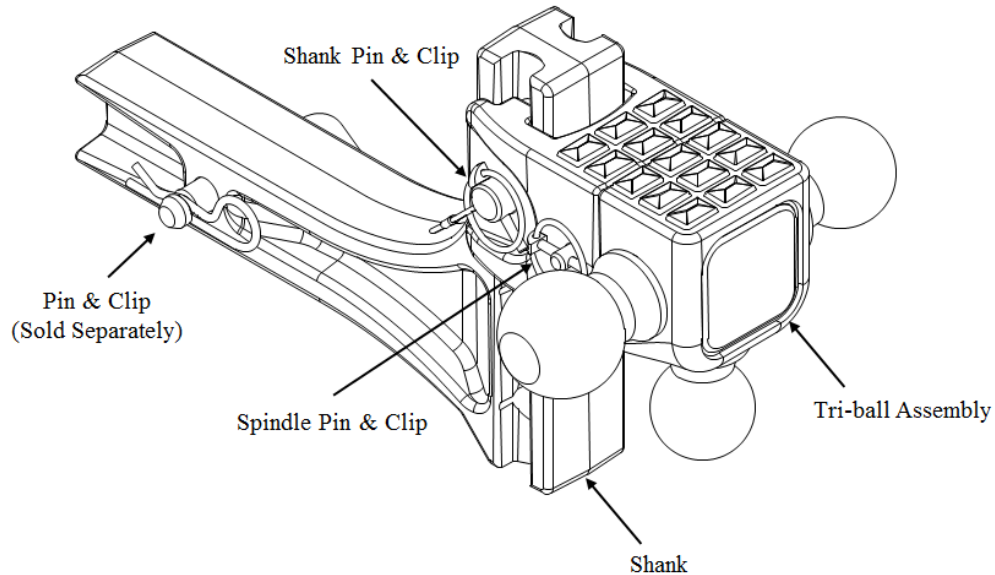
THIS WARNING IS GIVEN IN COMPLIANCE WITH CALIFORNIA PROPOSITION 65

WARNING: This product contains chemicals known to the state of California to cause cancer, birth defects or other reproductive harm.

NOTICE

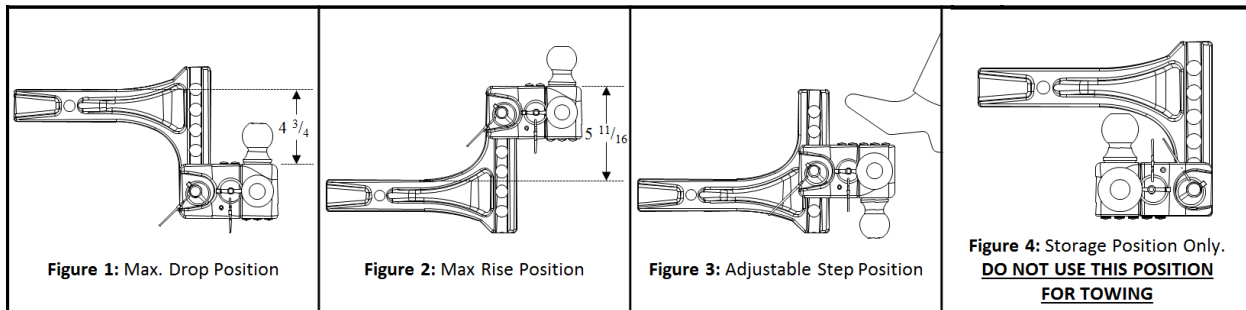
Place a small amount of heavy oil or grease on ball before each use.

INSTALLATION INSTRUCTIONS



1. Insert shank into hitch receiver and attach pin & clip (sold separately).
2. Insert tri-ball assembly onto the shank, adjust to proper height and attach shank pin & clip. (Height adjustment is in increments of 1.25 inches.)
3. Remove spindle pin & clip, rotate to select ball size or step, and reinstall spindle pin & clip.

Note: See Figure 1 for maximum drop position and Figure 2 for maximum rise position.



Note: Check for proper ball mount height with vehicle and trailer loaded for travel. At proper adjustment the trailer coupler and tongue should be level with the ground. See Figure 5.

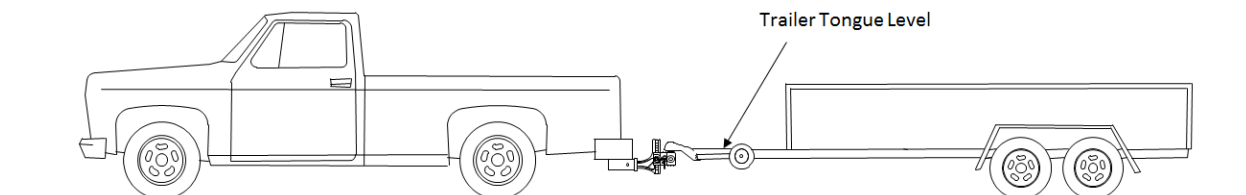


Figure 5: Proper Ball Height

Note: Check hitch frequently, making sure all fasteners are properly tightened. A hitch or ball which has been damaged should be removed and replaced. This product complies with safety specifications and requirements for connecting devices and towing systems of the state of New York, V.E.S.C. Regulation V-5 and SAE J684.

REESE One (1) Year Limited Warranty

1. **Warranty.** Cequent Consumer Products, Inc. warrants to the original consumer purchaser ("You") that the Product will be free from defects in material or workmanship for one year from the date of your retail purchase. Cequent Consumer Products, Inc. makes no other warranties. If the Product does not comply with the Warranty, Cequent Consumer Products, Inc. will replace the Product without charge and within a reasonable time or, at Cequent Consumer Products, Inc. option, otherwise refund the purchase price.
2. **Limitations on the Warranty.** The Warranty does not cover the following: (a) normal wear and tear; (b) service or labor charges incurred in removing or replacing any Product; (c) the finish on the Product; (d) a Product that has been damaged through abuse, neglect, misuse or as a result of any accident or in any other manner; (e) a Product which is misapplied, overloaded, or improperly installed; and (f) a Product altered in any manner by anyone other than Cequent Consumer Products, Inc.
3. **Obligations of Purchaser.** To obtain the benefits of the Warranty, You must promptly present the defective Product and proof of purchase to Cequent Consumer Products Inc., 29000-2 Aurora Road, Solon, Ohio 44139 or any of its branches, factories, or authorized dealers listed in local directories. Any returned Product that is replaced or refunded becomes the property of Cequent Consumer Products, Inc.
4. **Legal Rights.** This Warranty gives You specific legal rights, and You also may have other rights which vary from state to state. ANY IMPLIED WARRANTY OF MERCHANTABILITY OR FITNESS FOR A PARTICULAR PURPOSE ON ANY PRODUCT SHALL BE LIMITED TO ONE YEAR FROM THE DATE OF RETAIL PURCHASE BY YOU. Some states do not allow limitations on how long an implied warranty lasts, so the above limitation may not apply to You.
5. **Remedy Limits.** Replacement of the Product or refund in the manner provided above is Your exclusive remedy and shall constitute fulfillment of all liabilities of Cequent Consumer Products, Inc. to You whether based on contract or otherwise. Cequent Consumer Products, Inc. shall not be liable or assume responsibility for the loss of the use of any vehicle, loss of time, rental of vehicles, loss or damage to personal property, expenses such as gasoline, telephone, lodging, or towing, or any other incidental or consequential damages incurred as a result of the use or ownership of any Product. Some states do not allow the exclusion or limitation of incidental or consequential damages, so the above limitation or exclusion may not apply to You. Any of the above remedy limitations shall be inoperative to the extent they are not permitted by applicable state law.

The proper attachment of this product in accordance with the enclosed instructions is critical to its proper performance. Cequent Consumer Products, Inc. has no control over, or responsibility for, the attachment or the installation. Cequent Consumer Products, Inc. is NOT responsible nor will be held liable for any damage resulting from its attachment or improper use. Cequent Consumer Products, Inc. shall not be liable for any claims of any kind greater than the purchase price of the product. Warranty information available at www.trimascorp.com/terms.



CEQUENT[™]
CONSUMER PRODUCTS

Cequent Consumer Products, Inc.
29000-2 Aurora Road
Solon, OH 44139
Technical Service: (800) 234-6992
CequentConsumerProducts.com