

INSTALLATION INSTRUCTIONS

EQUIPMENT REQUIRED:

WIRING ACCESS LOCATION: SUV3, SUV4

DRILL BITS: NONE

HITCH REQUIRES 5/8" PIN AND CLIP IF STABILIZING PIN IS NOT INSTALLED.

WRENCHES: (TIGHTEN ALL FASTENERS WITH TORQUE WRENCH) 17mm, 19mm

VEHICLE

HITCH NO.

TOYOTA RAV 4

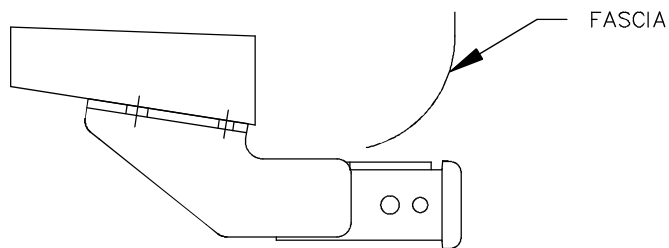
75125

* EXCEPT SOME EARLY 1996 MODELS,
SEE WARNING BELOW.

44734

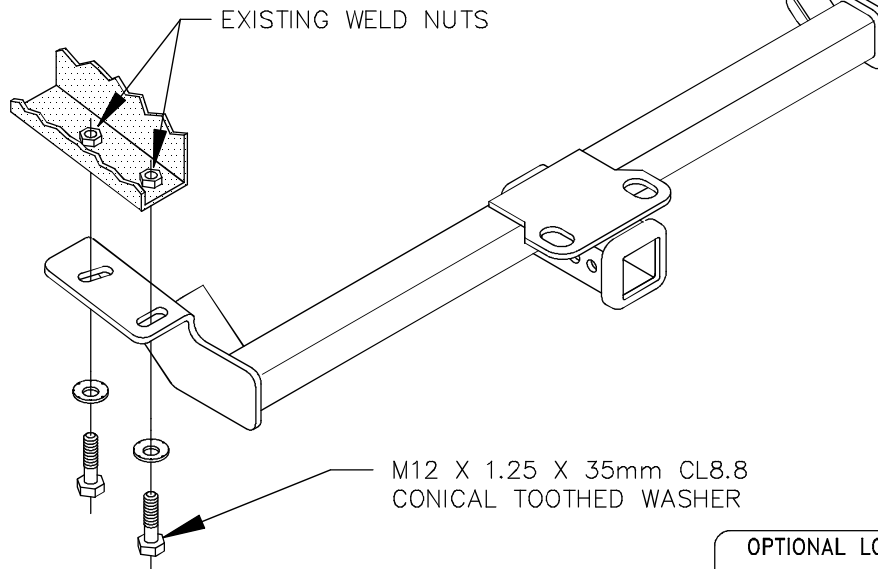
3500 LB MAX GROSS TRAILER WT
350 LB MAX TONGUE WEIGHT
DO NOT EXCEED TOWING VEHICLE RATINGS
DO NOT USE WITH WEIGHT-DISTRIBUTING
(SPRING BAR TYPE) HITCH.

Accessory rating	C
---------------------	---



HITCH SHOWN IN PROPER POSITION

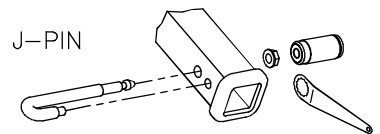
FRAME



M12 X 1.25 X 35mm CL8.8
CONICAL TOOTHED WASHER

OPTIONAL LOCKING STABILIZING PIN

J-PIN



(Order Separately)

NOTE: FASTENERS TYPICAL BOTH SIDES

1. REMOVE THE TWO BOLTS AND TIE-DOWN BRACKETS FROM VEHICLE FRAME EACH SIDE. RETURN TIE-DOWN BRACKETS TO VEHICLE OWNER FOR REINSTALLATION IF THE HITCH IS REMOVED.
2. RAISE HITCH INTO POSITION AND INSTALL TWO (2) M12 X 1.25 X 35MM BOLTS, AND CONICAL TOOTHED WASHERS INTO EXISTING WELD NUTS AS SHOWN, EACH SIDE.

TIGHTEN ALL M12 CL8.8 68 LB-FT.

* WARNING: EARLY 1996 MODELS

IF VEHICLE IS EQUIPPED WITH M10 FASTENERS, DO NOT INSTALL HITCH.
FAILURE TO HEED WARNING COULD RESULT IN SERIOUS INJURY OR DEATH.

THIS PRODUCT COMPLIES WITH SAFETY SPECIFICATIONS AND REQUIREMENTS FOR CONNECTING DEVICES AND TOWING SYSTEMS OF THE STATE OF NEW YORK AND V.E.S.C. REGULATION V-5.

APPROX WEIGHT (LB.)

25

FASTENER KIT

F75125

NOTE: Check hitch frequently, making sure all fasteners and ball are properly tightened. If hitch is removed, plug all holes in trunk pan or other body panels to prevent entry of water and exhaust fumes. A hitch or ball which has been damaged should be removed and replaced. Observe safety precautions when working beneath a vehicle and wear eye protection. Follow car maker's specs for maximum trailer weight and tongue weight. Do not cut access or attachment holes with a torch.



CEQUENT
PERFORMANCE PRODUCTS

Plymouth, Michigan

PRINTED IN MEXICO

REV: B