

# Installation Instructions

## GOOSENECK MOUNTING KIT

Dodge Ram 1500  
Short & Long Bed

**Part Numbers:**

**4446**

**Equipment Required:**

**Fastener Kit:** 4446F

**Wrenches:** 8mm, 13mm, 3/4, 15/16

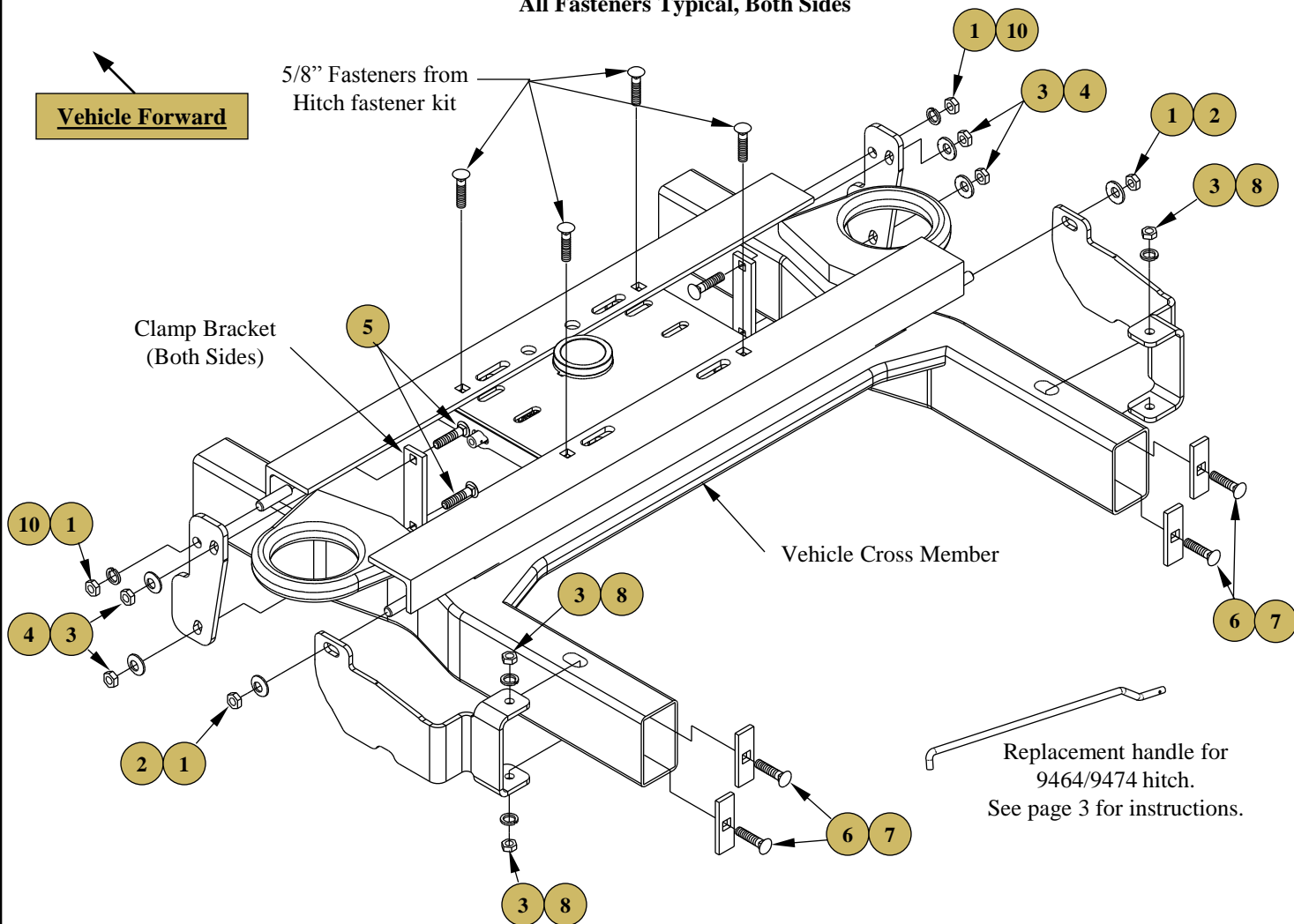
**Drill Bits:** 1/4"

**Other Tools:** Drill, Reciprocating Saw, File

**WARNING:** Under no circumstances do we recommend exceeding the towing vehicle manufacturers recommended vehicle towing capacity.

### 9464/9474 HIDE-A-GOOSE HITCH INSTALLATION

All Fasteners Typical, Both Sides



**Figure 1**

1	Qty. (4)	Hex Nut, 5/8-11	6	Qty. (4)	Carriage Bolt, 1/2-13 X 1.75
2	Qty. (2)	Conical Toothed Washer, 5/8"	7	Qty. (4)	Block, 1/4 X 1.00 X 3.00
3	Qty. (8)	Hex Nut, 1/2-13	8	Qty. (4)	Lock Washer, 1/2"
4	Qty. (4)	Conical Toothed Washer, 1/2"	9	Qty. (4)	Shims, 1/4 X 1.00 X 2.00
5	Qty. (4)	Carriage Bolt, 1/2-13 X 5.50	10	Qty. (2)	Lock Washer, 5/8"

# Installation Instructions

## GOOSENECK MOUNTING KIT

Part Numbers:

**4446**

Dodge Ram 1500  
Short & Long Bed  
**9464/9474 HIDE-A-GOOSE INSTALLATION**

### NOTES:

- This rail kit can be used with a 9464 or 9474 head only.
- Always make sure the ball is fully locked before towing.
- Keep the ball and ball sleeve well lubricated.
- Periodically re-torque all the hitch fasteners.
- Check ball, hitch coupler, safety chains and other connections for proper operation every time you tow.

### Warning:

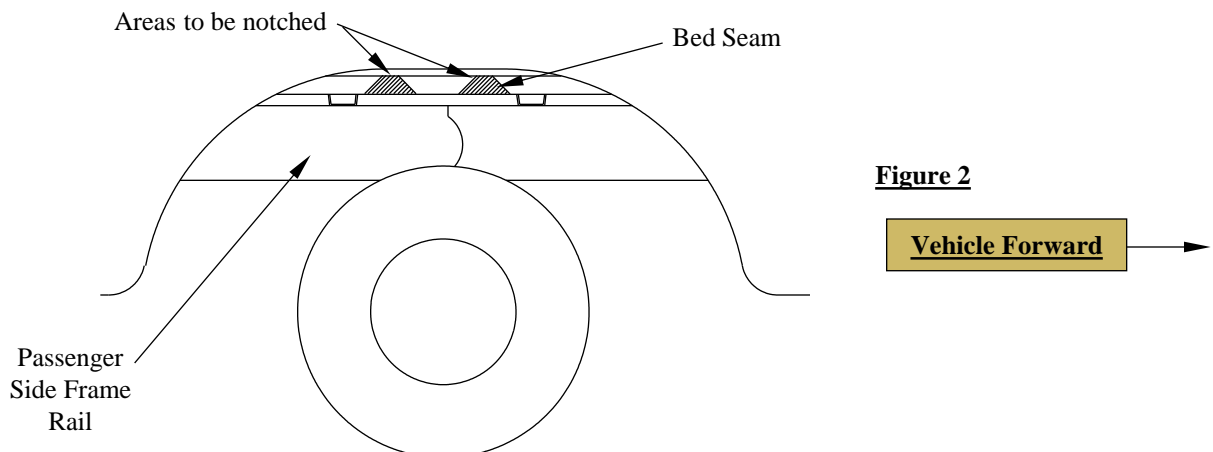
- ❖ The tow vehicle manufacturers recommended towing capacities should **UNDER NO CIRCUMSTANCES** be exceeded.
- ❖ Check for adequate clearance between the gooseneck trailer and the rear of the cab and the rear of the truck box before installing hitch.
- ❖ All trucks have fuel lines, brake lines and electrical wiring located along the vehicle frame where the rail kit installs. Carefully examine the location of fuel lines, brake lines and electrical wires before installation and be certain not to damage these when positioning the hitch components. Be careful when drilling holes, cutting sheet metal and tightening fasteners as to not limit the integrity of these systems.

**Hide-A-Goose Only – Drilled hole in bed location (see step 2).**

**Short Box – 44-1/8 inches    Long Box – 46-1/8 inches**

### Installation Instructions

1. Remove plastic inner fender liners on both sides of truck to get access to frame. Liners can either be left off or modified and reassembled on truck later on. Ask truck owner what they want done.
2. From underneath the vehicle, remove the clips on the vapor tube and wiring harness, attached to the vehicle rearward cross member. These will need to be removed to allow the rearward rail to slide into position between the vehicle bed and frame rails. Also on dual exhaust trucks the hanger mounted to the top of the cross member that interferes with the rear cross rail will have to be removed. Remove bolt and slide hanger out of rubber isolator.
3. When installing the 9464/9474 Hide-A-Goose hitch, a hole must be drilled in the bed of the truck. Mark and drill a 1/4" hole **44-1/8 inches (6'-4" bed) / 46-1/8 inches (8' bed)** from the rear of the bed and centered between the wheel wells. Using a hole saw, enlarge the pilot hole to the final diameter hole size. Refer to the 9464/9474 Hide-A-Goose instruction sheet for hole size.
4. **Positioning the cross members by notching the bed seam:** Using a saber saw, cut a notch in the bed seam on the passenger's side of the vehicle, between the vehicle frame and the bed as shown in Figure 2. Slide the forward cross member through the notch and above both frame rails. Slide the rearward cross member through the notch cut in the bed seam and above both frame rails.
5. Place 5/8" GR8 carriage bolts from the Hide-A-Goose hitch fastener kit into the square holes on the cross members from the top pointing towards the ground (see Figure 1).



**Figure 2**

**Vehicle Forward** →

# Installation Instructions

Part Numbers:

## GOOSENECK MOUNTING KIT

**4446**

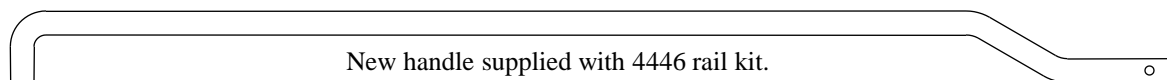
Dodge Ram 1500

Short & Long Bed

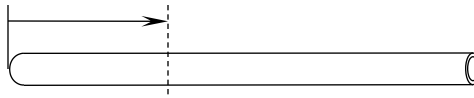
### 9464/9474 HIDE-A-GOOSE INSTALLATION

- Loosely install the 9464/9474 Hide-A-Goose hitch to the cross members. Refer to the 9464/9474 instruction sheet. **Note: The ball of the hitch should be closer to the forward rail than the rear rail (see Figure 1).**
- Position the rearward mounting kit brackets by aligning the slot in the brackets with the threaded studs on the ends of the rearward rail and the slots on the top and bottom of the vehicle frame rail.
- Loosely install the 5/8 hex nut and conical toothed washer attaching the brackets to the rail.
- Fish wire the 1/2-13 X 1.75 carriage bolts and 1/4 X 1.00 X 3.00 blocks through the holes in the frame, and through the holes in the brackets. Loosely install the 1/2 hex nuts and lock washers.
- Install the forward mounting kit brackets by aligning the hole in the brackets with the threaded studs on the ends of the rail. Loosely install the 5/8 hex nut and conical toothed washer attaching the brackets to the rail.
- Loosely install the clamp brackets using the 1/2-13 X 5.50 carriage bolts, conical toothed washers and hex nuts.
- After carefully aligning the hitch ball sleeve with the opening in the truck bed, torque all 5/8-11 GR5 fasteners on the brackets to 150 ft.-lb. (203 N-m), 1/2-13 GR5 fasteners to 75 ft.-lb. (102 N-m), and 5/8-11 GR8 fasteners on the hitch to 212 ft.-lb. (287 N-m). Use the following sequence: a) torque frame brackets to the frame of the vehicle, b) torque rails to the frame brackets, c) torque hitch to rails.
- Re-attach the wiring harness and vapor tube to the vehicle cross member.
- This rail kit is supplied with a custom handle so as to extend beyond the truck shock mount and beyond the plastic inner fender liner. See diagrams below. Plastic inner fender liner will either have to be left off of truck or cut to allow access to handle. Consult with truck owner to see which option they prefer.
- If truck owner would like liner to be trimmed see diagram of one option on next page.

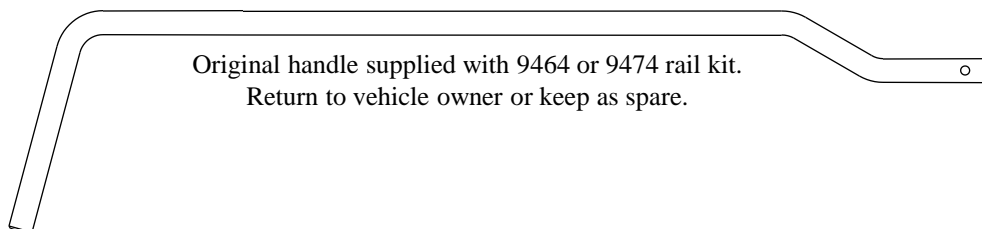
### Custom handle for use with 4446 rail kit



New handle supplied with 4446 rail kit.  
Use this handle for Dodge 1500  
applications only.



Original plastic tube for handle supplied with 9464 or 9474 hitch.  
Cut 1-1/2" to 2" long and insert over end of new handle above.



Original handle supplied with 9464 or 9474 rail kit.  
Return to vehicle owner or keep as spare.

# Installation Instructions

## GOOSENECK MOUNTING KIT

Dodge Ram 1500

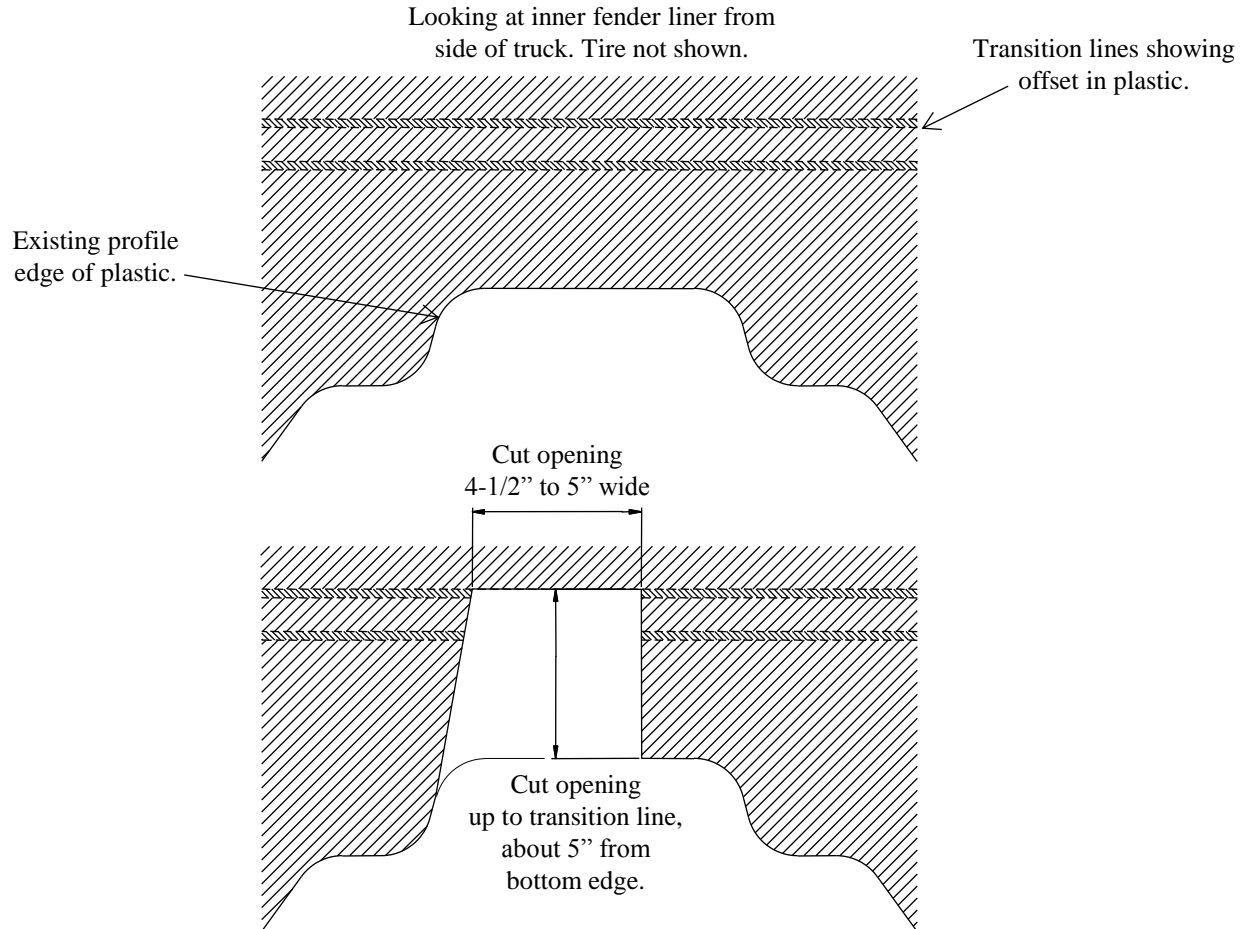
Short & Long Bed

Part Numbers:

4446

### Trimming of plastic inner fender liner

**Note!** Ask truck owner what option they would like done on their truck before cutting liner. Shown below is one option for trimming fender liner. Fender liners are removed by taking off (11) screws holding liner to wheel well.



# Installation Instructions

## GOOSENECK MOUNTING KIT

Dodge Ram 1500  
Short & Long Bed

**Part Numbers:**

**4446**

**Equipment Required:**

**Fastener Kit:** 4446F

**Wrenches:** 8mm, 13mm, 3/4, 15/16

**Drill Bits:** 1/8", 5/8"

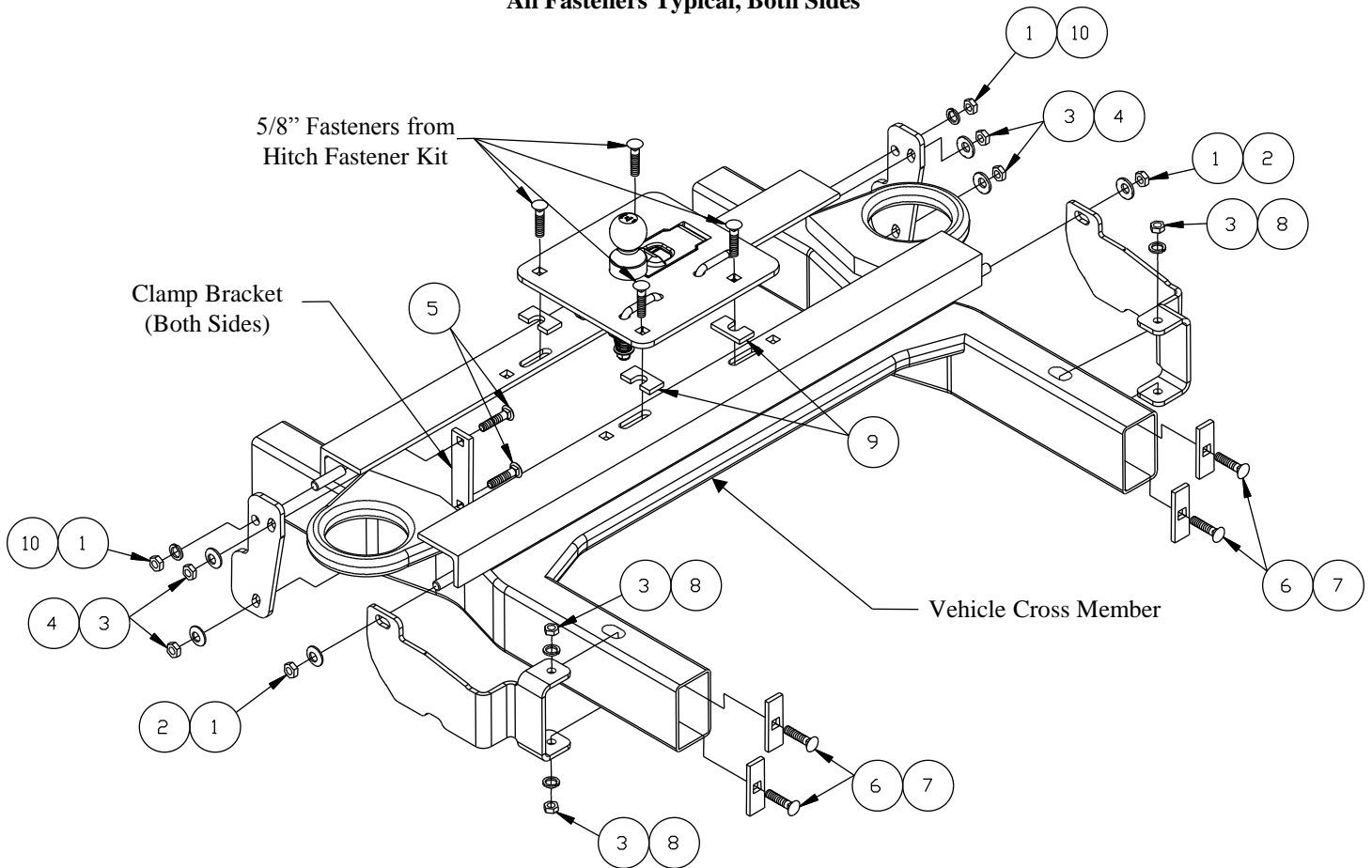
**Other Tools:** Drill, Reciprocating saw, File

**WARNING:** Under no circumstances do we recommend exceeding the towing vehicle manufacturers recommended vehicle towing capacity.

**Vehicle Forward**

### 6300/8339 GOOSENECK HITCH INSTALLATION

All Fasteners Typical, Both Sides



**Figure 1**

<b>1</b>	Qty. (4)	Hex Nut, 5/8-11	<b>6</b>	Qty. (4)	Carriage Bolt, 1/2-13 X 1.75
<b>2</b>	Qty. (2)	Conical Toothed Washer, 5/8"	<b>7</b>	Qty. (4)	Block, 1/4 X 1.00 X 2.00
<b>3</b>	Qty. (8)	Hex Nut, 1/2-13	<b>8</b>	Qty. (4)	Lock Washer, 1/2"
<b>4</b>	Qty. (4)	Conical Toothed Washer, 1/2"	<b>9</b>	Qty. (4)	Shims, 1/4 X 1.00 X 2.00
<b>5</b>	Qty. (4)	Carriage Bolt, 1/2-13 X 5.50	<b>10</b>	Qty. (2)	Lock Washer, 5/8"

# Installation Instructions

## GOOSENECK MOUNTING KIT

Dodge Ram 1500

Short & Long Bed

### 6300/8339 GOOSENECK HITCH INSTALLATION

Part Numbers:

4446

#### NOTES:

- This rail kit can be used with a 6300, 8339, head only.
- Always make sure the ball is fully locked before towing.
- Keep the ball and ball pocket well lubricated.
- Periodically re-torque all the hitch fasteners.
- Check ball, hitch coupler, safety chains and other connections for proper operation every time you tow.

#### Warning:

- ❖ The tow vehicle manufacturers recommended towing capacities should **UNDER NO CIRCUMSTANCES** be exceeded.
- ❖ Check for adequate clearance between the gooseneck trailer and the rear of the cab and the rear of the truck box before installing hitch.
- ❖ All trucks have fuel lines, brake lines and electrical wiring located along the vehicle frame where the rail kit installs. Carefully examine the location of fuel lines, brake lines and electrical wires before installation and be certain not to damage these when positioning the hitch components. Be careful when drilling holes, cutting sheet metal and tightening fasteners as to not limit the integrity of these systems.

#### Installation Instructions

1. Remove plastic inner fender liners on both sides of truck to get access to frame. Liners can either be left off or modified and reassembled on truck later on. Ask truck owner what they want done.
2. From underneath the vehicle, remove the clips on the vapor tube and wiring harness, attached to the vehicle rearward cross member. These will need to be removed to allow the rearward rail to slide into position between the vehicle bed and frame rails. Also on dual exhaust trucks the hanger mounted to the top of the cross member that interferes with the rear cross rail will have to be removed. Remove bolt and slide hanger out of rubber isolator.
3. **Positioning the cross members by notching the bed seam:** Using a saber saw, cut a notch in the bed seam on the passenger's side of the vehicle, between the vehicle frame and the bed as shown in Figure 2. Slide the forward cross member through the notch and above both frame rails. Slide the rearward cross member through the notch cut in the bed seam and above both frame rails.

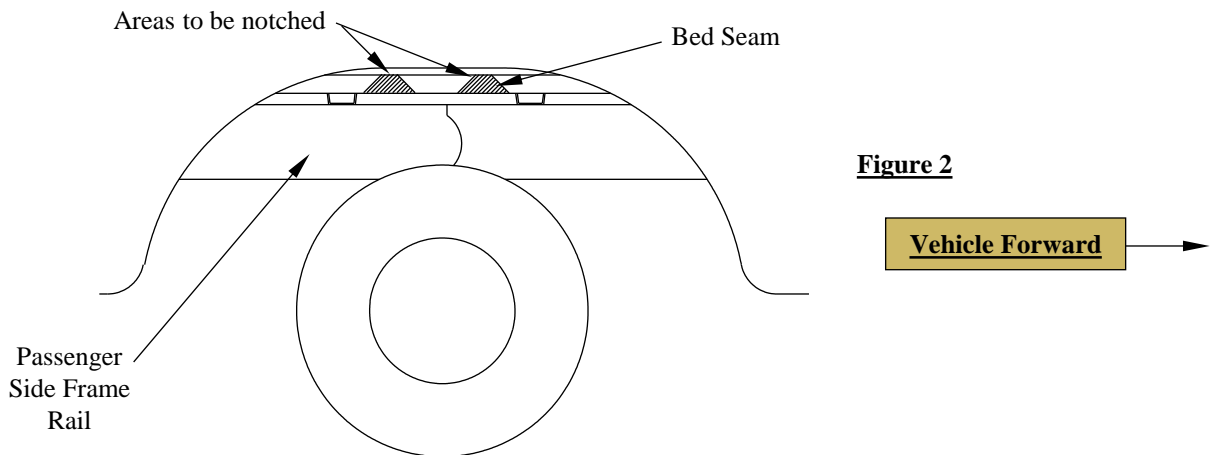


Figure 2

4. Position the rearward mounting kit brackets by aligning the slot in the brackets with the threaded studs on the ends of the rearward rail and the slots on the top and bottom of the vehicle frame rail.
5. Loosely install the 5/8 hex nut and conical toothed washer attaching the brackets to the rail.
6. Fish wire the 1/2-13 X 1.75 carriage bolts and 1/4 X 1.00 X 3.00 blocks through the holes in the frame, and through the holes in the brackets. Loosely install the 1/2 hex nuts and lock washers.
7. Install the forward mounting kit brackets by aligning the hole in the brackets with the threaded studs on the ends of the rail. Loosely install the 5/8 hex nut and conical toothed washer attaching the brackets to the rail.
8. Loosely install the clamp brackets using the 1/2-13 X 5.50 carriage bolts, conical toothed washers and hex nuts.

# Installation Instructions

Part Numbers:

## GOOSENECK MOUNTING KIT

4446

Dodge Ram 1500

Short & Long Bed

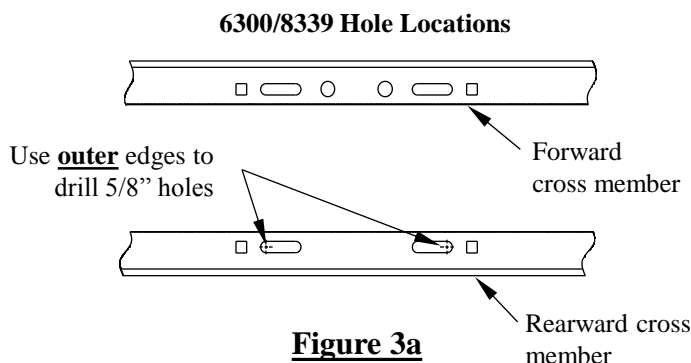
### 6300/8339 GOOSENECK HITCH INSTALLATION

9. With the cross members and side brackets installed, torque the 5/8-11 GR5 fasteners that attach the rearward cross member to the brackets to 150 ft.-lb (203 Nm) and the 1/2-13 GR5 fasteners that attach the rearward bracket to the frame to 75 ft.-lb. (102 N-m). The forward cross member should be left loose until Step 18.

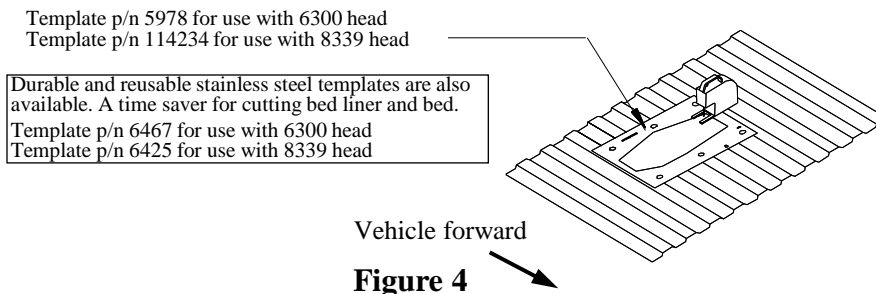


**WARNING** The fuel tank and/or other vehicle components may be located below some of the holes. A wood or metal shield must be placed between the frame and the fuel tank or other critical components to prevent damage when the drill breaks through the bed.

10. **For 6300 & 8339** use the **outer** edges of the long slots in the rearward cross member as a template to drill 5/8" diameter holes through the truck bed as shown in Figure 3a. Not all holes can be drilled from under the vehicle, but should be done later from inside the bed.



11. Align the holes on the template (provided with the gooseneck hitch) with the holes previously drilled through the bed. Be sure that the template is properly oriented toward the front of the vehicle. Center punch the holes that will be used to cut the opening in the bed. See Figure 4. If the vehicle is equipped with a bed liner, a section of the bed liner must be cut away so that the gooseneck hitch can contact the bed corrugations.



12. Drill 1/4" pilot holes (size will depend on width of blade in saber saw).
13. Cut out the truck bed and file edges as needed.

# Installation Instructions

## GOOSENECK MOUNTING KIT

Dodge Ram 1500

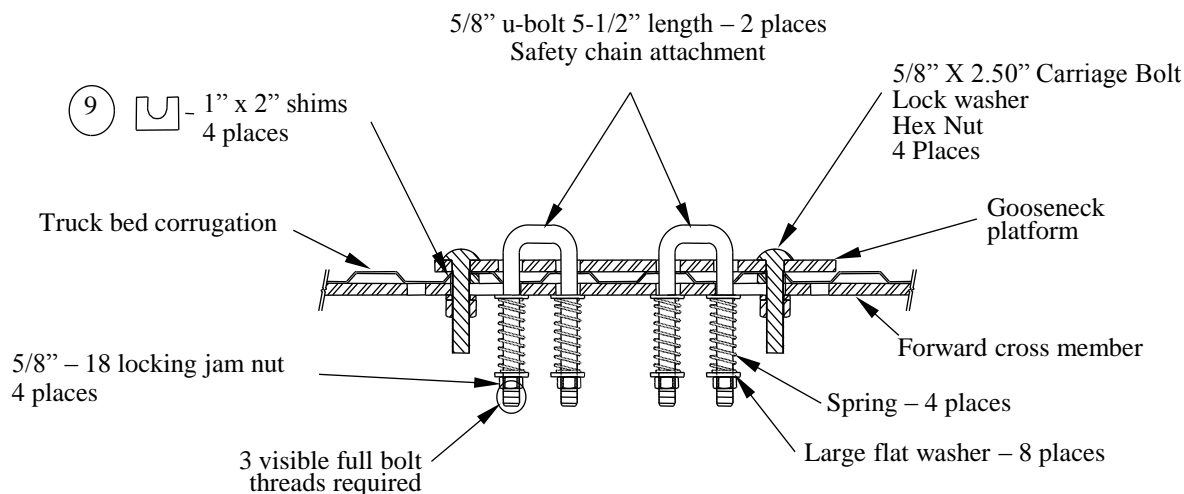
Short & Long Bed

### 6300/8339 GOOSENECK HITCH INSTALLATION

Part Numbers:

4446

14. Install the hitch into the opening.
15. Use the installed hitch as a guide to drill the forward 5/8" diameter holes mounting holes. Also drill the 5/8" diameter U-Bolt holes if installing a 6300 or 8339 gooseneck hitch.



**Figure 5**

16. Before installing the 5/8" carriage bolts through the hitch, the U-block shims must be placed between the hitch and the bed and between the cross members and the bottom of the bed (see Figure 5). These shims are necessary to prevent the bed corrugations from collapsing when the bolts are tightened.
17. Install the 5/8 X 2.50 GR5 carriage bolts through the hitch, shims and cross members. Secure with lock washers and nuts. Torque nuts to 150 ft.-lb. (203 N-m).
18. **For 6300 and 8339 Installations:** Install the (2) U-Bolts through the hitch and from under the vehicle install the large flat washer over the U-Bolt followed by a spring, another large flat washer and secure with a thin 5/8" jam nut. Repeat for the other legs of the U-Bolts. The 5/8" jam nuts are tightened until (3) threads are visible past the bottom of the jam nut.
19. Torque the 5/8-11 GR5 fasteners that attach the threaded studs on forward rail to the frame brackets to 150 ft.-lb. (203 N-m). Torque the 1/2-13 GR5 fasteners that attach the clamp brackets and frame brackets to the vehicle frame to 75 ft.-lb. (102 N-m).
20. Re-attach the wiring harness and vapor tube to the vehicle cross member. Also inner fender liners if truck owner chooses.



**LIMITED LIFETIME WARRANTY**

Part No: \_\_\_\_\_

Date of Original Purchase: \_\_\_\_\_

Original Owner: \_\_\_\_\_

Original Installer: \_\_\_\_\_

1. Limited Lifetime Warranty ("Warranty"). Cequent Performance Products, Inc. ("We" or "Us") warrants to the original consumer purchaser only ("You") that the product will be free from material defects in both material and workmanship, ordinary wear and tear excepted; provided that installation and use of the product is in accordance with product instructions. There are no other warranties, express or implied, including the warranty of merchantability or fitness for a particular purpose. This warranty is not transferable.

2. Limitations on the Warranty. This Warranty does not cover: (a) normal wear and tear; (b) damage through abuse, neglect, misuse, or as a result of any accident or in any other manner; (c) damage from misapplication, overloading, or improper installation; (d) improper maintenance and repair; and (e) product alteration in any manner by anyone other than Us, with the sole exception of alterations made pursuant to product instructions and in a workmanlike manner.

3. Obligations of Purchaser. To make a Warranty claim, contact Us, at our principal address of 47912 Halyard Dr. Suite 100, Plymouth, MI 48170, 1-888-521-0510, identify the product by model number, and follow the claim instructions that will be provided. Any returned product that is replaced by Us becomes our property. You will be responsible for return shipping costs. Please retain your purchase receipt to verify date of purchase and that You are the original consumer purchaser. The product and the purchase receipt must be provided to Us in order to process Your Warranty claim.

4. Remedy Limits. Product replacement is Your sole remedy under this Warranty. We shall not be liable for service or labor charges incurred in removing or replacing a product or any incidental or consequential damages of any kind.

5. Assumption of Risk. You acknowledge and agree that any use of the product for any purpose other than the specified use(s) stated in the product instructions is at Your own risk.

6. Governing Law. This Warranty gives You specific legal rights, and You also may have other rights which vary from state to state. This Warranty is governed by the laws of the State of Michigan, without regard to rules pertaining to conflicts of law. The state courts located in Oakland County, Michigan shall have exclusive jurisdiction for any disputes relating to this Warranty.

# Hide-A-Goose Installation Instructions

Part Numbers:  
**9460/9470**  
**9464/9474**

**Do Not Exceed Lower of Towing Vehicle  
Manufacturer's Rating or**

**30,000 LB (13,620 Kg) Max Gross Trailer Weight (GTW)**  
**7500 LB (3405 Kg) Max Tongue Weight (TW)**

**\*Note! 4457 Rail Kit Only**  
Fasteners for (2) additional  
attachments are supplied  
with 4457 rail kit. See  
Figures 1, 2 & 4 and also  
lines 5A & 5B on next page.

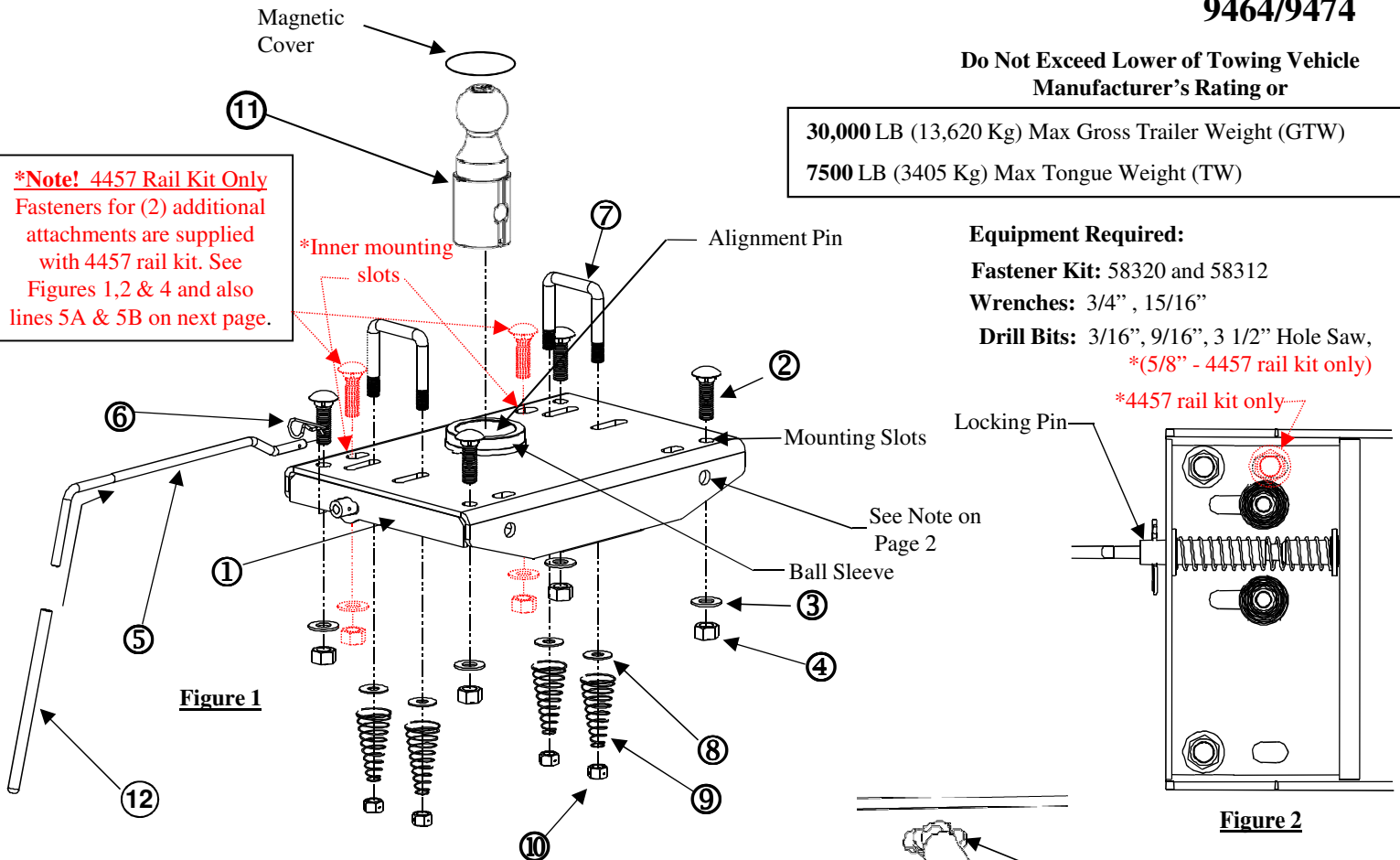
**Equipment Required:**

**Fastener Kit:** 58320 and 58312

**Wrenches:** 3/4", 15/16"

**Drill Bits:** 3/16", 9/16", 3 1/2" Hole Saw,  
\*(5/8" - 4457 rail kit only)

**\*4457 rail kit only**



**Figure 1**

**Figure 2**

**Figure 3**

A brand label, either *Draw-Tite* or *BullDog*, is supplied with this hitch. After installing mounting kit to truck frame peel and apply this label to surface of frame bracket.

**IMPORTANT!**

This product is intended to be used with Cequent Performance Products manufactured mounting kits. If the Gooseneck hitch installation is made with Cequent manufactured mounting kits, the installation instructions for the Gooseneck hitch are included as part of the mounting kit installation instructions. Give this installation instruction to vehicle owner after installation is complete.

**General instructions for fabricated support structures.**

**IF CEQUENT PERFORMANCE PRODUCTS MANUFACTURED MOUNTING KITS ARE NOT USED, THIS PRODUCT BECOMES A GENERAL APPLICATION PRODUCT. IT IS THE RESPONSIBILITY OF THE INSTALLER TO SELECT STRUCTURALLY SAFE MATERIALS AND LOCATIONS FOR ATTACHMENT. INSTALLATION INFORMATION FOLLOWS.**

①	Qty. (1)	Head	⑦	Qty. (2)	1/2" U-Bolts
②	Qty. (4) *(6)	5/8" -11 X 2.00 Grade 8 Carriage Bolt	⑧	Qty. (4)	1/2 Flat Washer
③	Qty. (4) *(6)	Conical Toothed Washer	⑨	Qty. (4)	U-Bolt Spring
④	Qty. (4) *(6)	5/8"-11 Hex Nut	⑩	Qty. (4)	1/2"-13 Lock Nut
⑤	Qty. (1)	Handle	⑪	Qty. (1)	2-5/16" Ball
⑥	Qty. (1)	Spring Clip	⑫	Qty. (1)	Vinyl Handle

Tighten all 5/8 grade 8 fasteners with torque wrench to 210 Lb.-Ft. (285 N\*M)  
Tighten all 5/8 grade 5 fasteners with torque wrench to 150 Lb.-Ft. (203 N\*M)

Note: check hitch frequently, making sure all fasteners and ball are properly tightened. If hitch is removed, plug all holes in trunk pan or other body panels to prevent entry of water and exhaust fumes. A hitch or ball which has been damaged should be removed and replaced. Observe safety precautions when working beneath a vehicle and wear eye protection. Do not cut access or attachment holes with a torch.

# Installation Instructions

Part Numbers:

9460/9470

9464/9474

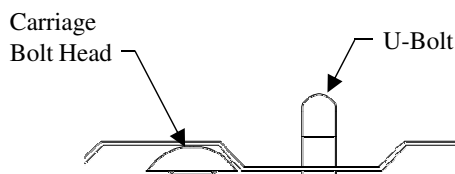


Figure 6

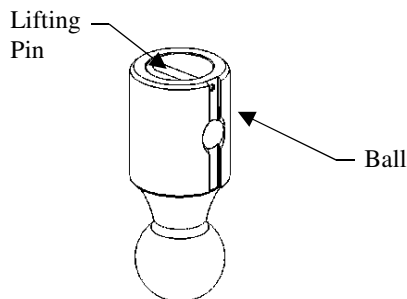


Figure 5

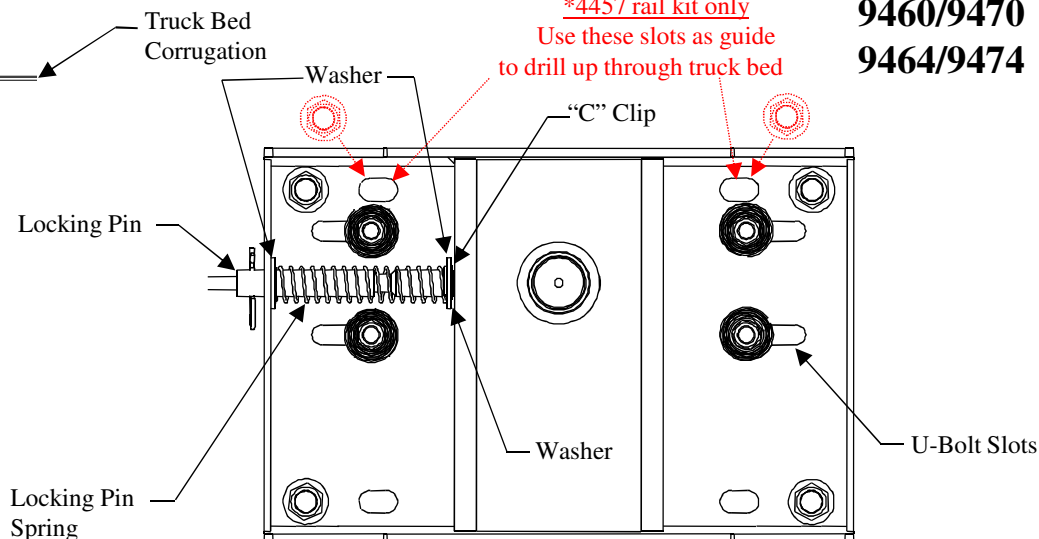


Figure 4

1. The following guidelines must be followed before installation begins:
  - The hitch ball must be located along the truck's fore/aft centerline.
  - The hitch ball centerline must be located above and forward of the rear axle of the truck.
  - Adequate clearance must be provided between the gooseneck trailer and the rear of the vehicle so that the gooseneck trailer does not contact any part of the truck during turning.
  - Adequate clearance must be provided between the forward corners of the gooseneck trailer and the cab of the truck.
  - Determine that the ball position and under vehicle supports do not interfere with any vehicle cross members, brake lines, electrical wiring, cables, fuel lines or vents.
- 2A. If handle is to be moved to the other side of the head, pull locking pin spring away from "C" clip and remove clip. The locking pin assembly can now be removed and assembled in the same order on the other side (see figure 4).
- 2B. After re-installing locking pin assembly, check for proper movement and holding slot engagement with the ball in place (see figure 3).
3. Install under bed supports with (4) vertical 5/8" bolts in rails.
4. With hitch ball center marked on the truck, center punch and drill 3/16" pilot hole, recheck all clearances, then open the 3/16" hole with a 3 1/2" hole saw. File edges as needed.
5. Lift head into position. Use the 5/8" conical tooth washers and hex nuts to install head. Do not tighten completely at this time.

**\*Steps 5A & 5B are to be done only when installing a 4457 rail kit. Do not drill these holes on any other rail kit install!!**

- 5A. Use the (2) inner slots on forward side of head to drill 5/8" diameter holes up through truck bed. Make sure that holes go through the truck bed corrugation that is down so that head of carriage bolt is recessed below top of bed corrugation.
- 5B. Install 5/8" carriage bolts from top of truck bed down through holes drilled in previous step and through hitch rail and head slot. Install conical toothed washers and nuts.
6. Align ball sleeve on head, with the 3-1/2" hole in bed and tighten 5/8" fasteners.
7. Using the U-Bolt slots as a guide, drill four 9/16" holes in the bed. These holes must be in a lower bed corrugations to limit the amount of U-bolt showing above the bed (see figure 6).
8. Touch up the drilled holes with paint. Install the U-Bolts from the inside of the bed (see figure 2).
9. From under the truck, install the 1/2" flat washers, U-Bolt springs, and 1/2" lock nuts (SEE FIGURE 1 AND 2). Tighten nuts so a minimum of 3 threads are showing past the nuts.
10. With the ball in the stored position (see figure 5). Check for clearance between ball and truck equipment (I.E. differential, brake lines, electrical lines, and others) by measuring from axle up to rubber bumper stop and from ball to nearest item. If insufficient space is present, inform customer not to store ball in the head when carrying heavy loads. The axle to the rubber bumper stop distance should be less than the ball to nearest item.

**NOTE:** If not installing head on Towing Products manufactured mounting kit, install four 5/8" (grade 5) bolts (not provided) in side holes of head along with the four vertical bolts to obtain maximum head rating of 30,000 Lb GTW / 7500 TW Lb.

## **AFTER SYSTEM INSTALLATION AND BEFORE TOWING:**

Connect trailer to the tow vehicle following coupler manufacturer's operating instructions.

The coupler must be adjusted to provide about 6" of clearance between the bottom of the trailer nose and the top of the pickup bed sides. Slowly back the trailer to a jackknifed position to the tow vehicle while checking to see there is adequate clearance between the gooseneck trailer and the rear of the vehicle. Also check to see there is adequate clearance between the forward corners of the gooseneck trailer and the cab of the truck. Slowly jackknife the truck and trailer in the opposite direction and check the clearances to the end of the truck and the cab.

## **GOOSENECK MAINTENANCE**

-Use magnetic cover to keep assembly free of dirt and debris. Lubricate hitch ball monthly or as needed with heavy grease. Lubricate ball sleeve with heavy grease when ball is installed and/or removed. Lubricate locking pin monthly or as needed with spray-on penetrating oil. Check bolt torque monthly. Check equipment before towing for worn or damaged parts. **REPLACE WORN OR DAMAGED PARTS IMMEDIATELY.**