

Installation Instructions

GOOSENECK RAIL MOUNTING KIT

Dodge Ram 2500/3500 Heavy Duty
Short & Long Bed, All Megacabs

Part Numbers:

4457

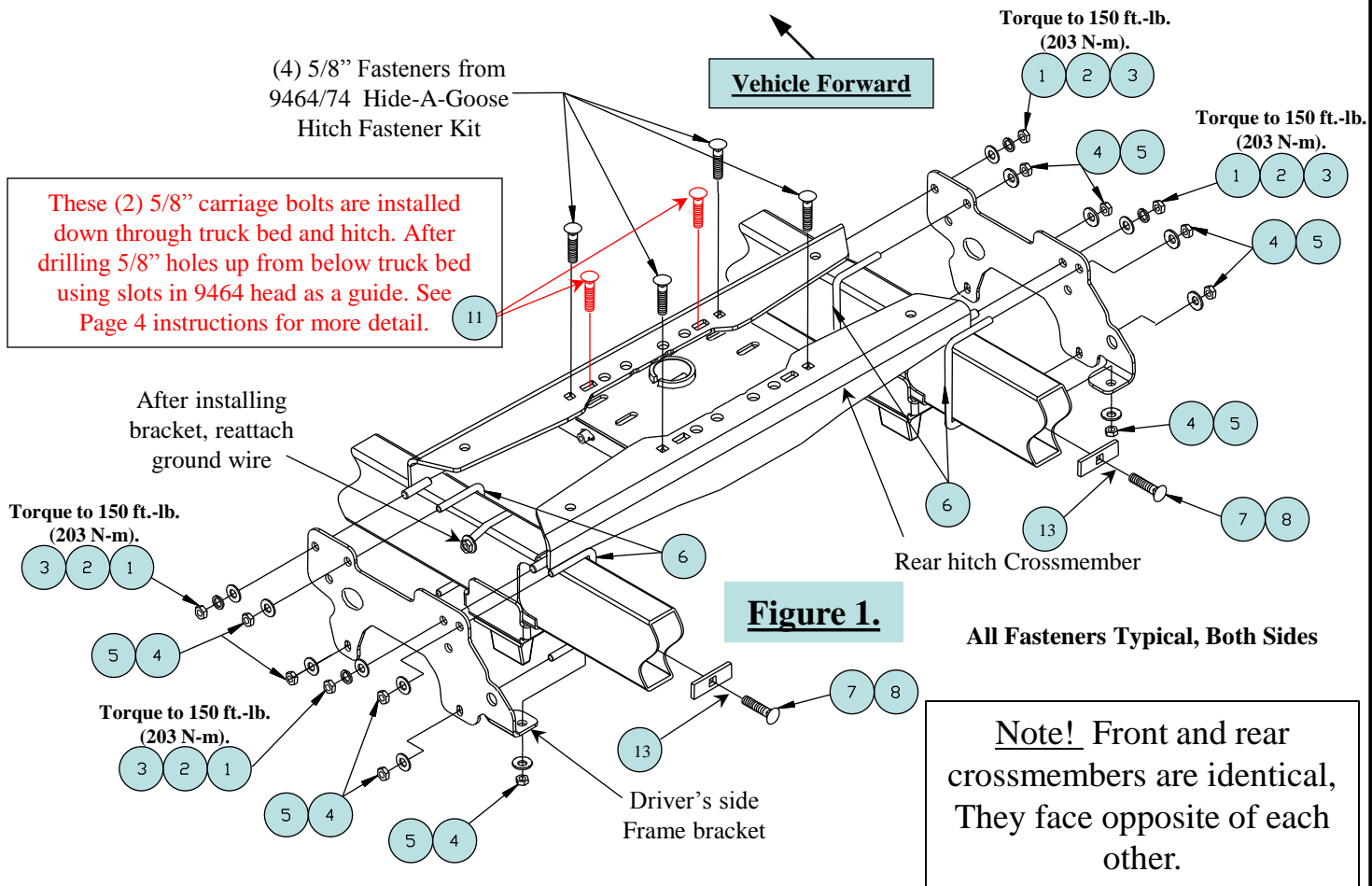
9464/9474 HIDE-A-GOOSE HITCH INSTALLATION

If using this 4457 Rail kit with 6300 or 8339 above bed gooseneck hitches start on Page 5.

Equipment Required:

- Fastener Kit: 4457F
- Wrenches: 3/4, 15/16, 10mm
- Drill Bits: 1/4", 1/2", 5/8"
- Other Tools: Drill, Tape

WARNING: Under no circumstances do we recommend exceeding the towing vehicle manufacturers recommended vehicle towing capacity.



1	Qty. (6)	Hex Nut, 5/8"-11 GR.8, (2) used with 11, Fig. 4.	8	Qty. (2)	Block, 1/4" X 1.00 X 3.00
2	Qty. (4)	Lock Washer, 5/8"	9	Qty. (1)	Cable Tie (not shown)
3	Qty. (4)	Flat Washer, 5/8"	10	Qty. (4)	Shims, 1" x 2", not used with this head, see Figure 6 & 9.
4	Qty. (10)	Hex Nut, 1/2"-13	11	Qty. (2)	Carriage Bolt, 5/8-11 GR.8
5	Qty. (10)	Conical Toothed Washer, 1/2"	12	Qty. (2)	Conical toothed Washer, 5/8" (2) used with 11, Fig. 4.
6	Qty. (4)	U-Bolt, 1/2"	13	Qty. (2)	1/2" Wire Pulls, (for fish-wiring)
7	Qty. (2)	Carriage Bolt, 1/2-13 GR.5			Another fine "Cequent Performance Products" hitch

Installation Instructions

GOOSENECK RAIL MOUNTING KIT

9464/9474 HIDE-A-GOOSE INSTALLATION

Part Numbers:
4457

NOTES:

- This portion of instructions is for installing the below bed 9464 / 9474 Gooseneck heads only.
- Always make sure the ball is fully locked before towing.
- Keep the ball and ball sleeve well lubricated.
- Periodically re-torque all the hitch fasteners.
- Check ball, hitch coupler, safety chains and other connections for proper operation every time you tow.

Warning:

- ❖ The tow vehicle manufacturers recommended towing capacities should UNDER NO CIRCUMSTANCES be exceeded.
- ❖ Check for adequate clearance between the gooseneck trailer and the rear of the cab and the rear of the truck box before installing hitch.
- ❖ All trucks have fuel lines, brake lines and electrical wiring located along the vehicle frame where the rail kit installs. Carefully examine the location of fuel lines, brake lines and electrical wires before installation and be certain not to damage these when positioning the hitch components. Be careful when drilling holes, cutting sheet metal and tightening fasteners as to not limit the integrity of these systems.

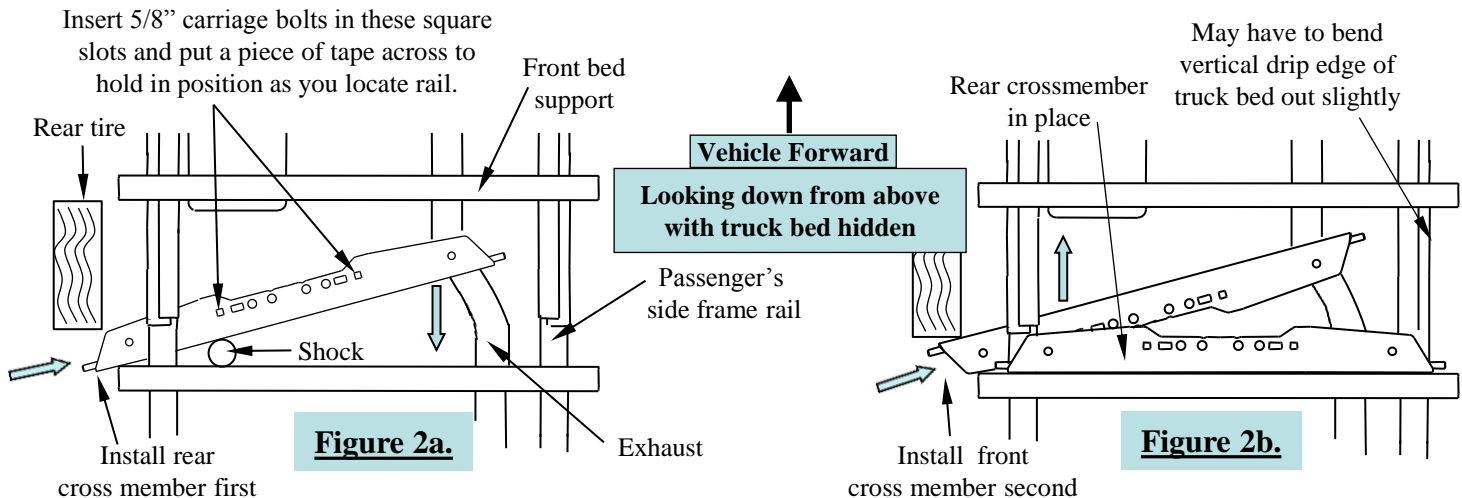
Hide-A-Goose Only – Drilled hole in bed location (see step 5).

Short Box - 44 inches

Long Box - 46 inches

Installation Instructions

1. Lower the vehicle exhaust by removing the retaining clips from the rear (3 to 5) rubber exhaust hangers and then sliding the rubber exhaust hangers from the exhaust hanger hooks. Lower or remove the spare tire to provide clearance for the cross member installation. On 2010 and newer model year vehicles, temporarily remove the ground wire located on the outside of the Driver's side frame rail. It may make it easier to remove the spare tire heat shield also, use 10mm wrench or socket to remove (5) bolts and or nuts holding it in place.
2. Position the cross members from underneath: Place the rear cross member into position by inserting behind driver's side rear tire, in front of shock above spring beneath truck frame as shown in **(Figure 2a)**. Make sure it's facing the right direction. **Note:** the cross members in this kit are the same, but they face different directions as shown in **(Figure 1)**. It may help to locate carriage bolts in outside square holes and put a piece of tape across top of head to top of rail. See note below. Slide the end up over the exhaust and the passenger's side frame rail. Pull rear crossmember back into position as shown in **(Figure 2b)**. Insert front cross member into place at the same location behind the tire in front of the shock beneath the driver's side frame rail, **(Figure 2a)**. It may be necessary to bend the passenger's side drip edge of the truck bed out slightly to allow rail to go in place.

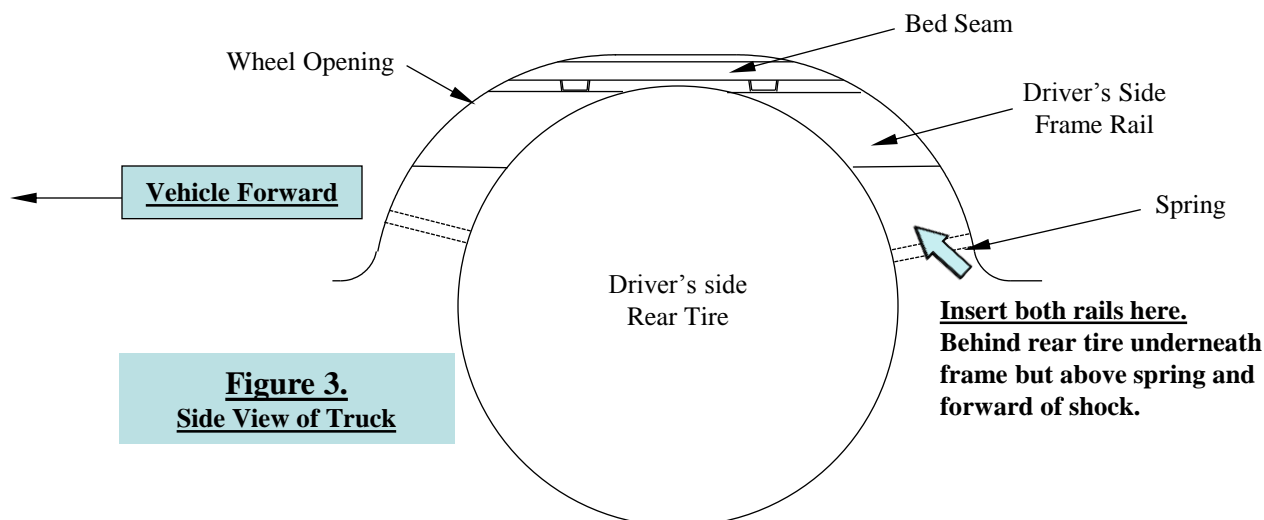


Installation Instructions

Part Numbers:

GOOSENECK RAIL MOUNTING KIT 9464/9474 HIDE-A-GOOSE INSTALLATION

4457



- Line up the mounting holes in the hitch frame brackets with the threaded studs on the ends of the cross members. Loosely attach frame brackets to rails with 5/8 hex nuts, lock washers and flat washers as shown in **Figure 1**. It may help to install the driver's side forward U-bolt first before attaching frame bracket. See **Step 4** below.
- Use the U-Bolts to attach the frame brackets to the frame as shown in **Figure 1**. It may be necessary to loosen the wire harness from the inside of the driver's side frame in order to position the U-Bolts. The forward driver's side U-Bolt must go between the brake line and the vehicle frame. Loosely fasten the U-Bolts to the frame brackets using the 1/2" nuts and conical toothed washers. Fish wire the 1/2-13 carriage bolts and 1/4 X 1.00 X 3.00 blocks through the holes in the bottom of the vehicle frame and through the flange on the frame brackets. On **2013, 2014 models** use the hole in the bracket as a guide to drill a 1/2" hole in the bottom of the frame for this attachment. Loosely install the 1/2" conical toothed washers and hex nuts.
- When installing the 9464/9474 Hide-A-Goose hitch, a hole must be drilled in the bed of the truck. Mark and drill a 1/4" hole **44 inches (6' bed) / 46 inches (8' bed)** from the rear of the bed and centered between the wheel wells. Using a hole saw, enlarge the pilot hole to the final diameter hole size. Refer to the 9464/9474 Hide-A-Goose hitch instruction sheet for hole size.
- Loosely install the 9464/9474 Hide-A-Goose hitch to the cross members. **Note: The ball should be positioned closer to the forward rail than the rear rail. See Figure 1.**
- Use the (2) inner slots on forward side of head to drill 5/8" diameter holes up through truck bed. Make sure that holes go through the truck bed corrugation that is down so that head of conical is recessed below top of bed corrugation.
- Install 5/8" conical bolts from top of truck bed down through holes drilled in previous step and through hitch rail and head slot. Install conical toothed washers and nuts.
- After loosely installing the Hide-A-Goose hitch and 4457 mounting kit, line up the hitch ball sleeve with the opening in the truck bed. Torque the **5/8-11 GR8 nuts to 150 ft.-lb. (203 N-m) on the rails to brackets, 1/2-13 GR5 nuts to 75 ft.-lb. (102 N-m), and 5/8-11 GR8 nuts on the hitch to 212 ft.-lb. (287 N-m)**. Use the following sequence: a) torque frame brackets to the frame of the vehicle, b) torque cross members to the frame brackets, c) torque hitch to cross members. **Note! Different torque for 5/8" nuts depending on location.**
- If the wire harness was loosened to install the driver's side rear U-Bolt and cannot be reattached using the existing fasteners, use the included cable tie to attach the wires to the U-Bolt.8.
- Reinstall the exhaust. Reinstall spare tire heat shield if removed and raise spare tire back in to position. Reattach the ground wire, through the large hole in the Driver's side frame bracket on 2010 and newer model year vehicles.

Installation Instructions

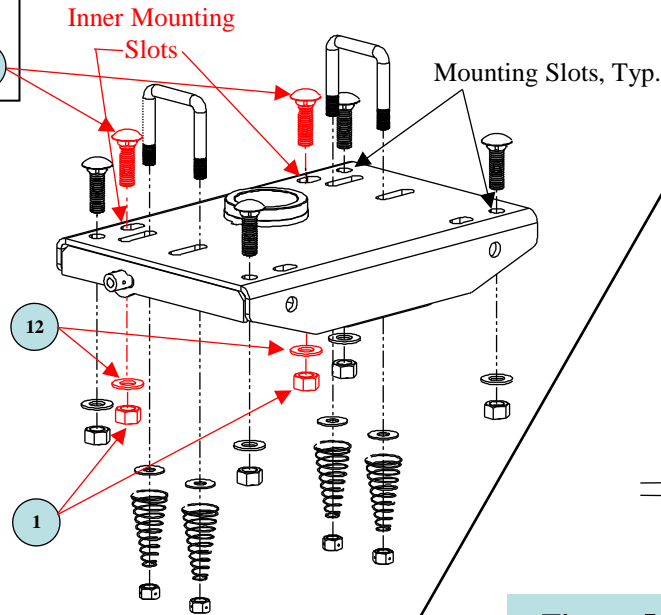
GOOSENECK RAIL MOUNTING KIT

9464/9474 HIDE-A-GOOSE INSTALLATION

Part Numbers:
4457

Note! 4457 Rail Kit Only
Fasteners for (2) additional
attachments are supplied
with 4457 rail kit. See
Figures 1, 4 & 5.

Figure 4.



Torque all (6) 5/8" head nuts to 212 ft.-lb. (287 N-m).

Other fasteners not identified are from 9464 kit, see 9464 instructions.

Looking up at bottom of hitch,
showing location of inner mounting slot fasteners. Typical both sides.

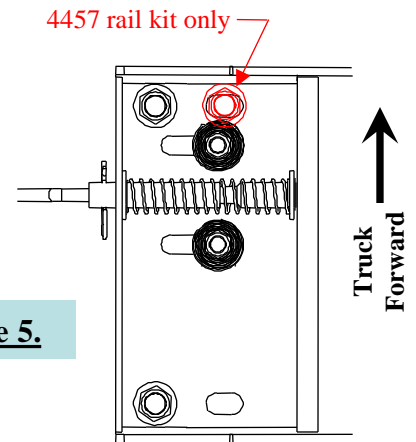
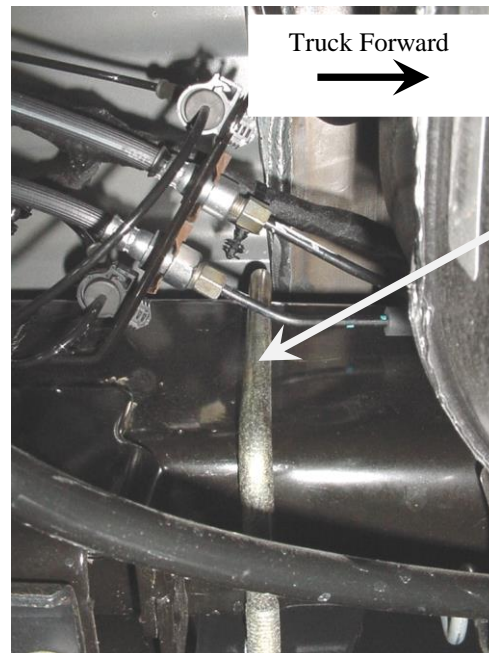
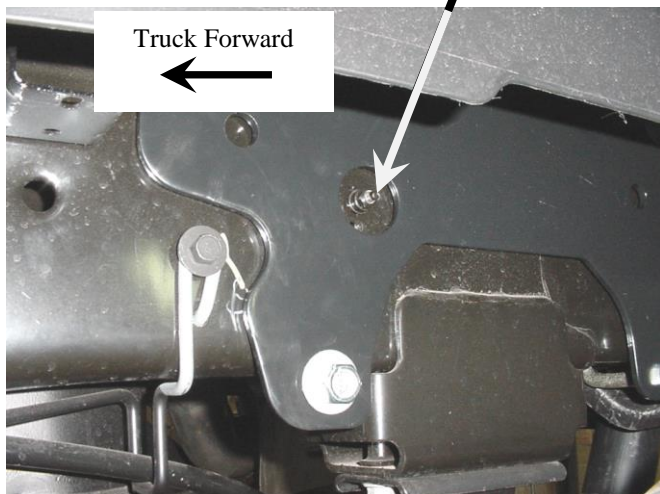


Figure 5.

Driver's side frame bracket shown in proper position

Grounding stud shown with wire removed to install rail kit. Reattach wire after installation.



Inside view of Driver's side frame rail. Showing u-bolt in place between frame and brake lines.

Installation Instructions

GOOSENECK RAIL MOUNTING KIT

Dodge Ram 2500/3500 Heavy Duty
Short & Long Bed, All Megacabs

Part Numbers:

4457

6300/8339 GOOSENECK HITCH INSTALLATION

If using with 9464 or 9474 under bed gooseneck hitches go to and use Pages 1-4 only.

Equipment Required:

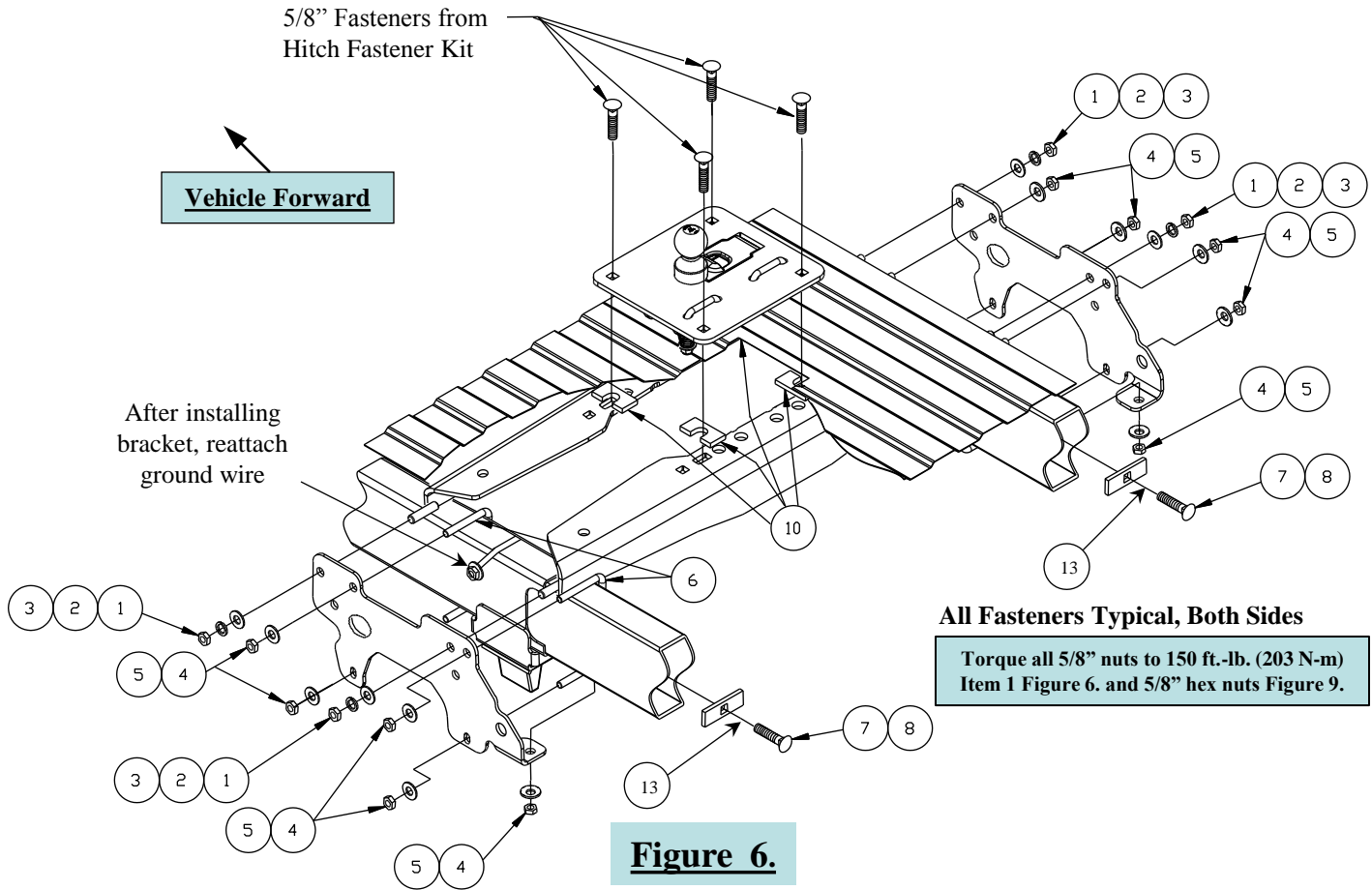
Fastener Kit: 4457F

Wrenches: 3/4, 15/16, 10mm

Drill Bits: 1/4", 1/2", 5/8"

Other Tools: Drill, Reciprocating Saw, Tape

WARNING: Under no circumstances do we recommend exceeding the towing vehicle manufacturers recommended vehicle towing capacity.



All Fasteners Typical, Both Sides
Torque all 5/8" nuts to 150 ft.-lb. (203 N-m)
Item 1 Figure 6. and 5/8" hex nuts Figure 9.

Figure 6.

1	Qty. (6)	Hex Nut, 5/8"-11 GR.8, (2) not used with this head.	8	Qty. (2)	Block, 1/4" X 1.00 X 3.00
2	Qty. (4)	Lock Washer, 5/8"	9	Qty. (1)	Cable Tie (not shown)
3	Qty. (4)	Flat Washer, 5/8"	10	Qty. (4)	Shims, 1" x 2"
4	Qty. (10)	Hex Nut, 1/2"-13	11	Qty. (2)	Carriage Bolt, 5/8-11 GR.8 not used see Figure 1. Page 1.
5	Qty. (10)	Conical Toothed Washer, 1/2"	12	Qty. (2)	Conical Toothed Washer, 5/8" not used see Figure 1. Page 1.
6	Qty. (4)	U-Bolt, 1/2"	13	Qty. (2)	1/2" Wire Pulls, (for fish-wiring)
7	Qty. (2)	Carriage Bolt, 1/2-13 GR.5			Another fine "Cequent Performance Products" hitch

Installation Instructions

Part Numbers:

GOOSENECK RAIL MOUNTING KIT

4457

6300/8339 GOOSENECK HITCH INSTALLATION

NOTES:

- This portion of the instruction is for installing the 6300 or 8339 head only.
- Always make sure the ball is fully locked before towing.
- Keep the ball and ball pocket well lubricated.
- Periodically re-torque all the hitch fasteners.
- Check ball, hitch coupler, safety chains and other connections for proper operation every time you tow.

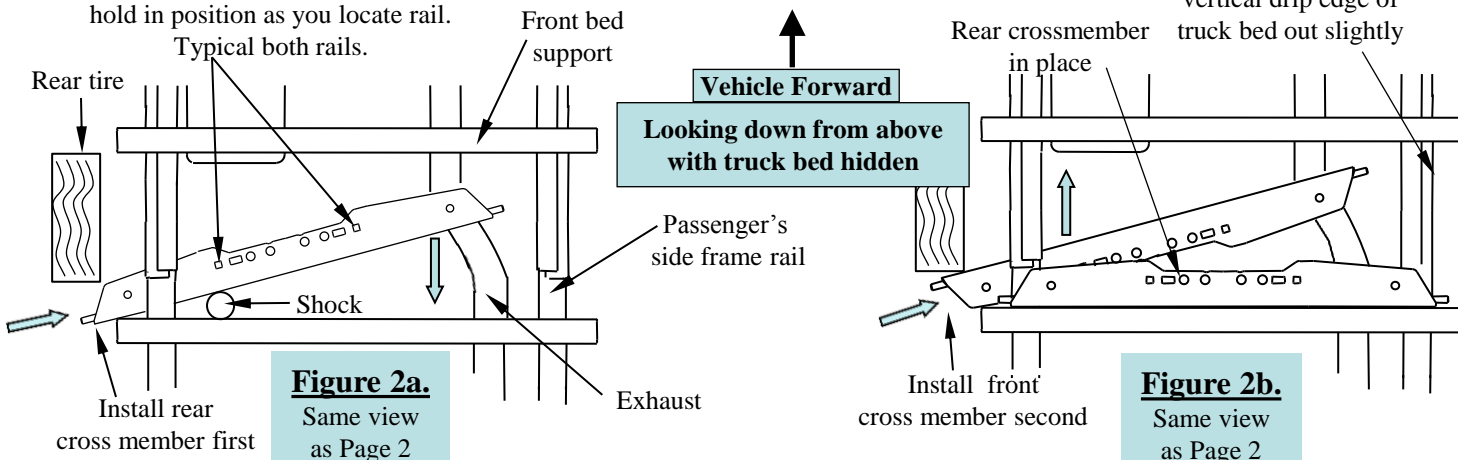
Warning:

- ❖ The tow vehicle manufacturers recommended towing capacities should **UNDER NO CIRCUMSTANCES** be exceeded.
- ❖ Check for adequate clearance between the gooseneck trailer and the rear of the cab and the rear of the truck box before installing hitch.
- ❖ All trucks have fuel lines, brake lines and electrical wiring located along the vehicle frame where the rail kit installs. Carefully examine the location of fuel lines, brake lines and electrical wires before installation and be certain not to damage these when positioning the hitch components. Be careful when drilling holes, cutting sheet metal and tightening fasteners as to not limit the integrity of these systems.

Installation Instructions

1. Lower the vehicle exhaust by removing the retaining clips from the rear (4) rubber exhaust hangers and then sliding the rubber exhaust hangers from the exhaust hanger hooks. Lower or remove the spare tire to provide clearance for the cross member installation. On 2010 and newer model year vehicles, temporarily remove the ground wire located on the outside of the Driver's side frame rail. It may make it easier to remove the spare tire heat shield also, use 10mm wrench or socket to remove (5) bolts and or nuts holding it in place.
2. Position the cross members from underneath: Place the rear cross member into position by inserting behind driver's side rear tire, in front of shock above spring beneath truck frame as shown in (Figure 2a). Make sure it's facing the right direction. Note: the cross members in this kit are the same, but they face different directions as shown in (Figures 1 & 6.). It may help to locate carriage bolts in square slots and put a piece of tape across top of head to top of rail. See note below. Slide the end up over the exhaust and the passenger's side frame rail. Pull rear crossmember back into position as shown in (Figure 2b). Insert front cross member into place at the same location behind the tire in front of the shock beneath the driver's side frame rail, (Figure 2a). It may be necessary to bend the passenger's side drip edge of the truck bed out slightly to allow rail to go in place.

Insert 5/8" carriage bolts in these square slots and put a piece of tape across to hold in position as you locate rail.



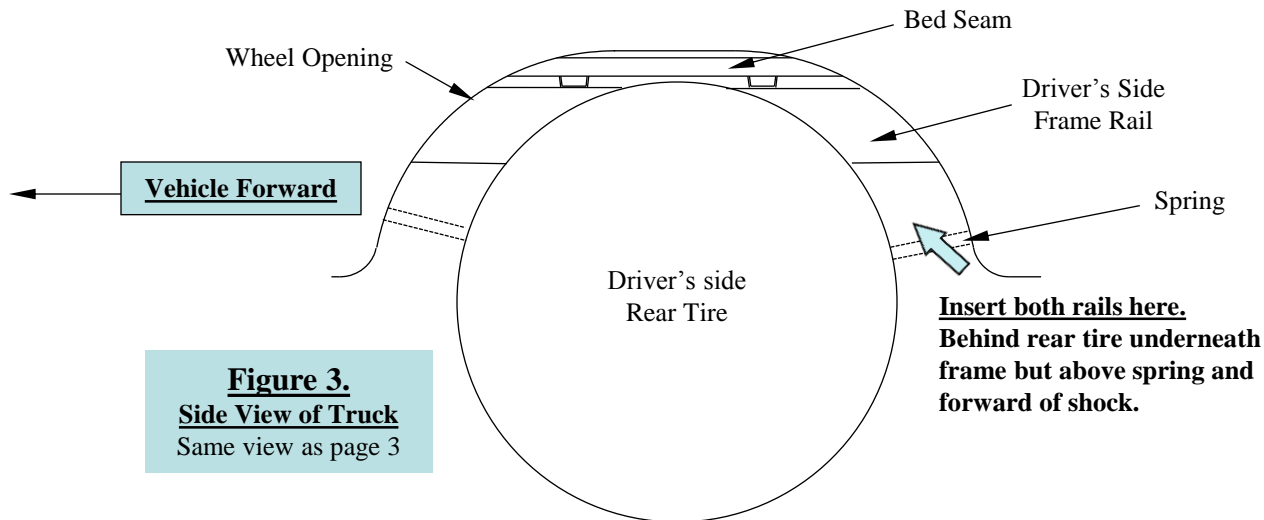
Installation Instructions

Part Numbers:

GOOSENECK RAIL MOUNTING KIT

4457

6300/8339 GOOSENECK HITCH INSTALLATION



- Line up the mounting holes in the hitch frame brackets with the threaded studs on the ends of the cross members. Loosely attach frame brackets to rails with 5/8 hex nuts, lock washers and flat washers as shown in **Figure 1**. It may help to install the driver's side forward U-bolt first before attaching frame bracket. See **Step 4** below.
- Use the U-Bolts to attach the frame brackets to the frame as shown in **Figure 1**. It may be necessary to loosen the wire harness from the inside of the driver's side frame in order to position the U-Bolts. The forward driver's side U-Bolt must go between the brake line and the vehicle frame. Loosely fasten the U-Bolts to the frame brackets using the 1/2" nuts and conical toothed washers. Fish wire the 1/2-13 carriage bolts and 1/4 X 1.00 X 3.00 blocks through the holes in the bottom of the vehicle frame and through the flange on the frame brackets. On **2013, 2014 models** use the hole in the bracket as a guide to drill a 1/2" hole in the bottom of the frame for this attachment. Loosely install the 1/2" conical toothed washers and hex nuts.
- With the cross members and side brackets installed, torque the 5/8-11 GR8 nuts that attach the forward cross member to the brackets to 150 ft.-lb (203 Nm). Torque the 1/2" fasteners and U-Bolt fasteners that attach the side brackets to the frame to 75 lb.-ft. (102 N-m). The rearward cross member should be left loose until **Step 16**.
- For 6300 & 8339 use the outer edges of the long square slots in the forward cross member as a template to drill 5/8" diameter holes through the truck bed as shown in **Figure 7** below. Not all holes can be drilled from under the vehicle, but should be done later from inside the bed.
- Align the holes on the template (provided with the gooseneck hitch) with the holes previously drilled through the bed. Be sure that the template is properly oriented toward the front of the vehicle. Center punch the holes that will be used to cut the opening in the bed (**see Figure 8, next page.**). If the vehicle is equipped with a bed liner, a section of the bed liner must be cut away so that the gooseneck platform can contact the bed corrugations.
- Drill 1/4" pilot holes (size will depend on width of blade in saber saw).
- Cut out the truck bed and file edges as needed.

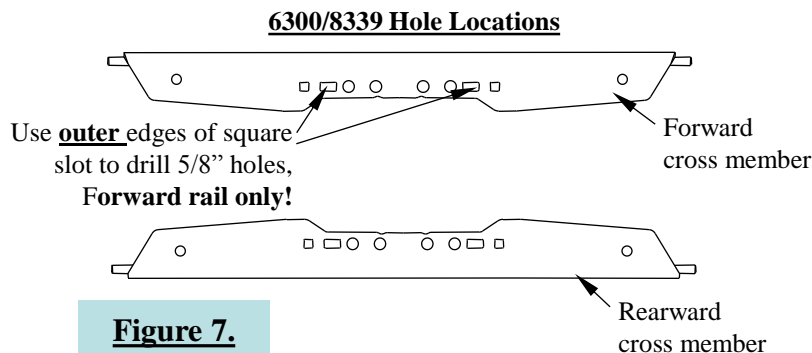


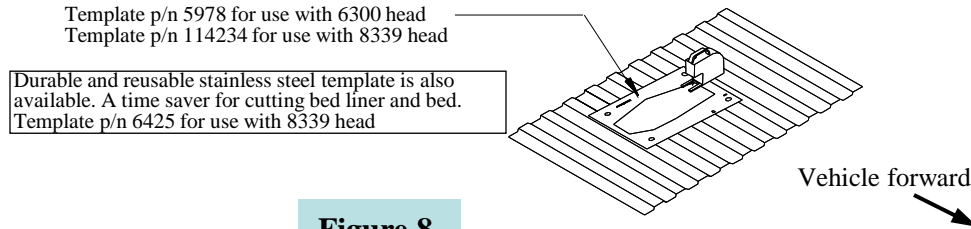
Figure 7.

Installation Instructions

Part Numbers:

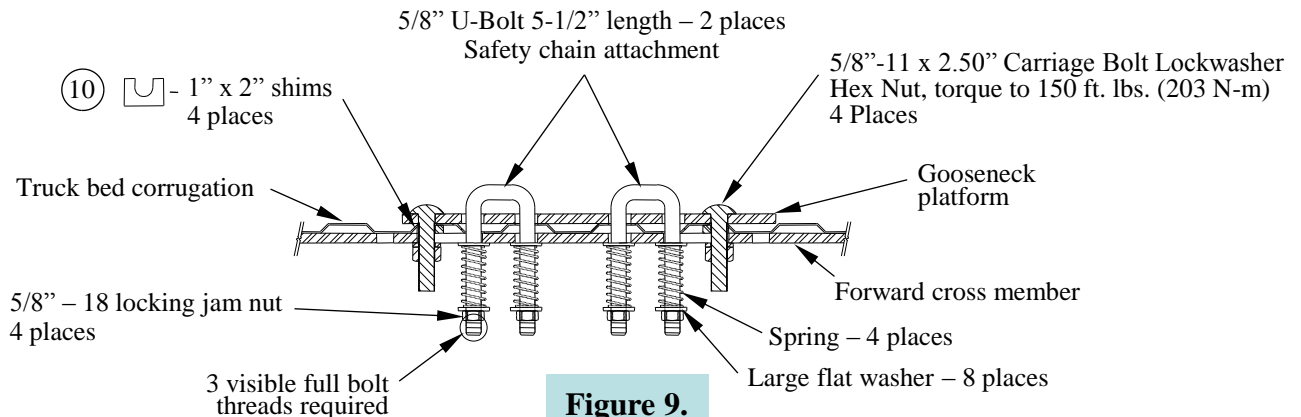
GOOSENECK RAIL MOUNTING KIT 6300/8339 GOOSENECK HITCH INSTALLATION

4457



WARNING The fuel tank and/or other vehicle components may be located below some of the holes. A wood or metal shield must be placed between the frame and the fuel tank or other critical components to prevent damage when the drill breaks through the bed.

10. Install the hitch into the opening.
11. Use the hitch as a guide to drill the 5/8" diameter holes for the rearward cross member and the U-Bolts holes.



12. Before installing the 5/8" carriage bolts through the hitch, the U-Block shims must be placed between the hitch and the bed and between the cross members and the bottom of the bed, (see **Figure 9.**). These shims are necessary to prevent the bed corrugations from collapsing when the bolts are tightened.
13. Align the rearward cross member with the 5/8" diameter drilled holes.
14. Install the 5/8 X 2.50 GR5 carriage bolts through the hitch, shims and cross members. Secure with lock washers and nuts. Torque nuts to 150 ft.-lb. (203 N-m).
15. Install the (2) U-bolts through the hitch. From under the vehicle install the large flat washer over the U-Bolt followed by a spring, another large flat washer and secure with a thin 5/8" jam nut. Repeat for the other legs of the U-Bolts. The 5/8" jam nuts are tightened until (3) threads are visible past the bottom of the jam nut.
16. Torque the 5/8-11 GR8 nuts connecting the rearward cross member to the brackets to 150 ft.-lb. (203 N-m).
17. If the wire harness was loosened to install the rear driver's side frame bracket u-bolt and cannot be reattached using the existing fasteners, use the cable tie to attach the wires to the u-bolt.
18. Reinstall the exhaust, and reinstall the spare tire shield if removed. Raise the spare tire back in to position. Reattach the ground wire, through the large hole in the Driver's side frame bracket on 2010 and newer model year vehicles.

LIMITED LIFETIME WARRANTY

Part No: _____

Date of Original Purchase: _____

Original Owner: _____

Original Installer: _____

1. Limited Lifetime Warranty ("Warranty"). Cequent Performance Products, Inc. ("We" or "Us") warrants to the original consumer purchaser only ("You") that the product will be free from material defects in both material and workmanship, ordinary wear and tear excepted; provided that installation and use of the product is in accordance with product instructions. There are no other warranties, express or implied, including the warranty of merchantability or fitness for a particular purpose. This warranty is not transferable.

2. Limitations on the Warranty. This Warranty does not cover: (a) normal wear and tear; (b) damage through abuse, neglect, misuse, or as a result of any accident or in any other manner; (c) damage from misapplication, overloading, or improper installation; (d) improper maintenance and repair; and (e) product alteration in any manner by anyone other than Us, with the sole exception of alterations made pursuant to product instructions and in a workmanlike manner.

3. Obligations of Purchaser. To make a Warranty claim, contact Us, at our principal address of 47912 Halyard Dr. Suite 100, Plymouth, MI 48170, 1-888-521-0510, identify the product by model number, and follow the claim instructions that will be provided. Any returned product that is replaced by Us becomes our property. You will be responsible for return shipping costs. Please retain your purchase receipt to verify date of purchase and that You are the original consumer purchaser. The product and the purchase receipt must be provided to Us in order to process Your Warranty claim.

4. Remedy Limits. Product replacement is Your sole remedy under this Warranty. We shall not be liable for service or labor charges incurred in removing or replacing a product or any incidental or consequential damages of any kind.

5. Assumption of Risk. You acknowledge and agree that any use of the product for any purpose other than the specified use(s) stated in the product instructions is at Your own risk.

6. Governing Law. This Warranty gives You specific legal rights, and You also may have other rights which vary from state to state. This Warranty is governed by the laws of the State of Michigan, without regard to rules pertaining to conflicts of law. The state courts located in Oakland County, Michigan shall have exclusive jurisdiction for any disputes relating to this Warranty.

Hide-A-Goose Installation Instructions

Part Numbers:
9460/9470
9464/9474

**Do Not Exceed Lower of Towing Vehicle
Manufacturer's Rating or**

30,000 LB (13,620 Kg) Max Gross Trailer Weight (GTW)
7500 LB (3405 Kg) Max Tongue Weight (TW)

***Note! 4457 Rail Kit Only**
Fasteners for (2) additional
attachments are supplied
with 4457 rail kit. See
Figures 1, 2 & 4 and also
lines 5A & 5B on next page.

Equipment Required:

Fastener Kit: 58320 and 58312

Wrenches: 3/4", 15/16"

Drill Bits: 3/16", 9/16", 3 1/2" Hole Saw,
*(5/8" - 4457 rail kit only)

***4457 rail kit only**

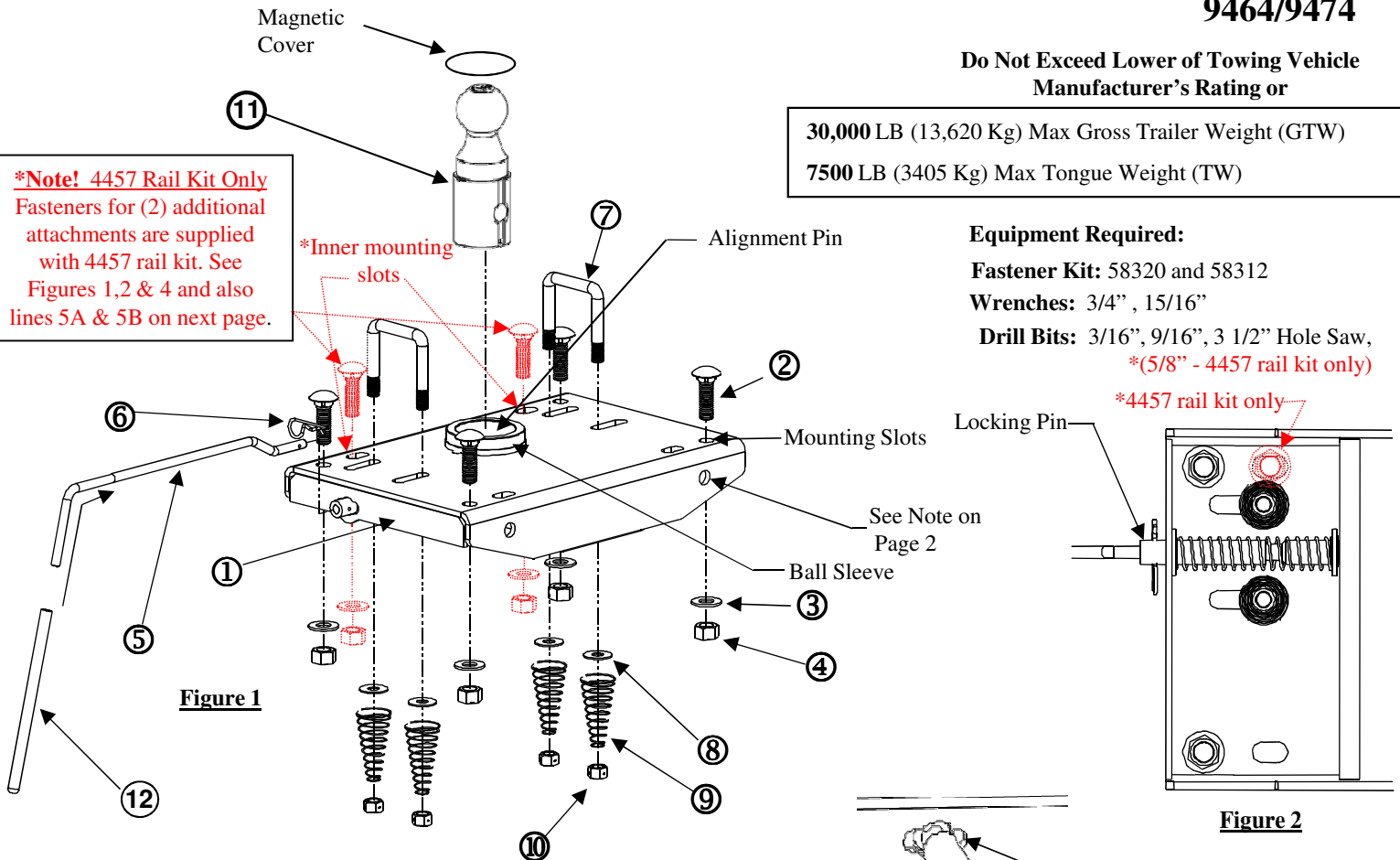


Figure 1

Figure 2

Figure 3

A brand label, either *Draw-Tite* or *BullDog*, is supplied with this hitch. After installing mounting kit to truck frame peel and apply this label to surface of frame bracket.

IMPORTANT!

This product is intended to be used with Cequent Performance Products manufactured mounting kits. If the Gooseneck hitch installation is made with Cequent manufactured mounting kits, the installation instructions for the Gooseneck hitch are included as part of the mounting kit installation instructions. Give this installation instruction to vehicle owner after installation is complete.

General instructions for fabricated support structures.

IF CEQUENT PERFORMANCE PRODUCTS MANUFACTURED MOUNTING KITS ARE NOT USED, THIS PRODUCT BECOMES A GENERAL APPLICATION PRODUCT. IT IS THE RESPONSIBILITY OF THE INSTALLER TO SELECT STRUCTURALLY SAFE MATERIALS AND LOCATIONS FOR ATTACHMENT. INSTALLATION INFORMATION FOLLOWS.

①	Qty. (1)	Head	⑦	Qty. (2)	1/2" U-Bolts
②	Qty. (4) *(6)	5/8" -11 X 2.00 Grade 8 Carriage Bolt	⑧	Qty. (4)	1/2 Flat Washer
③	Qty. (4) *(6)	Conical Toothed Washer	⑨	Qty. (4)	U-Bolt Spring
④	Qty. (4) *(6)	5/8"-11 Hex Nut	⑩	Qty. (4)	1/2"-13 Lock Nut
⑤	Qty. (1)	Handle	⑪	Qty. (1)	2-5/16" Ball
⑥	Qty. (1)	Spring Clip	⑫	Qty. (1)	Vinyl Handle

Tighten all 5/8 grade 8 fasteners with torque wrench to 210 Lb.-Ft. (285 N*M)
Tighten all 5/8 grade 5 fasteners with torque wrench to 150 Lb.-Ft. (203 N*M)

Note: check hitch frequently, making sure all fasteners and ball are properly tightened. If hitch is removed, plug all holes in trunk pan or other body panels to prevent entry of water and exhaust fumes. A hitch or ball which has been damaged should be removed and replaced. Observe safety precautions when working beneath a vehicle and wear eye protection. Do not cut access or attachment holes with a torch.

Installation Instructions

Part Numbers:

9460/9470

9464/9474

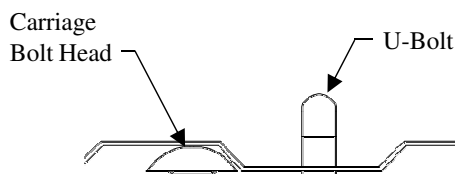


Figure 6

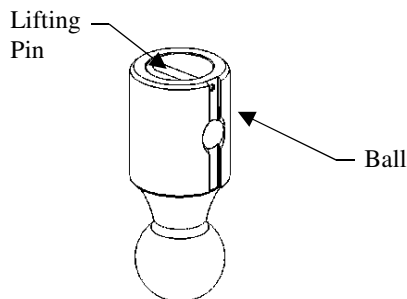


Figure 5

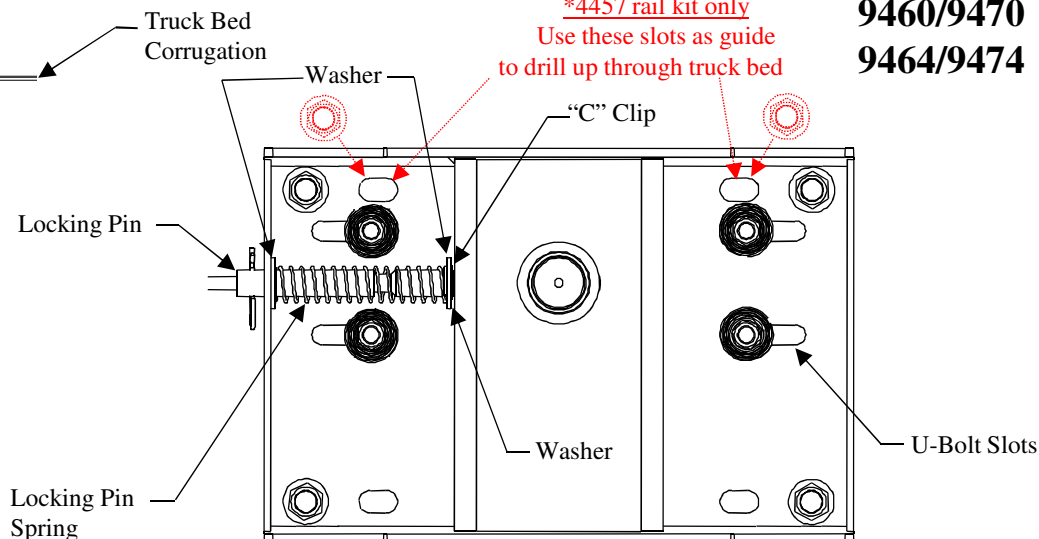


Figure 4

1. The following guidelines must be followed before installation begins:
 - The hitch ball must be located along the truck's fore/aft centerline.
 - The hitch ball centerline must be located above and forward of the rear axle of the truck.
 - Adequate clearance must be provided between the gooseneck trailer and the rear of the vehicle so that the gooseneck trailer does not contact any part of the truck during turning.
 - Adequate clearance must be provided between the forward corners of the gooseneck trailer and the cab of the truck.
 - Determine that the ball position and under vehicle supports do not interfere with any vehicle cross members, brake lines, electrical wiring, cables, fuel lines or vents.
- 2A. If handle is to be moved to the other side of the head, pull locking pin spring away from "C" clip and remove clip. The locking pin assembly can now be removed and assembled in the same order on the other side (see figure 4).
- 2B. After re-installing locking pin assembly, check for proper movement and holding slot engagement with the ball in place (see figure 3).
3. Install under bed supports with (4) vertical 5/8" bolts in rails.
4. With hitch ball center marked on the truck, center punch and drill 3/16" pilot hole, recheck all clearances, then open the 3/16" hole with a 3 1/2" hole saw. File edges as needed.
5. Lift head into position. Use the 5/8" conical tooth washers and hex nuts to install head. Do not tighten completely at this time.

***Steps 5A & 5B are to be done only when installing a 4457 rail kit. Do not drill these holes on any other rail kit install!!**

- 5A. Use the (2) inner slots on forward side of head to drill 5/8" diameter holes up through truck bed. Make sure that holes go through the truck bed corrugation that is down so that head of carriage bolt is recessed below top of bed corrugation.
- 5B. Install 5/8" carriage bolts from top of truck bed down through holes drilled in previous step and through hitch rail and head slot. Install conical toothed washers and nuts.
6. Align ball sleeve on head, with the 3-1/2" hole in bed and tighten 5/8" fasteners.
7. Using the U-Bolt slots as a guide, drill four 9/16" holes in the bed. These holes must be in a lower bed corrugations to limit the amount of U-bolt showing above the bed (see figure 6).
8. Touch up the drilled holes with paint. Install the U-Bolts from the inside of the bed (see figure 2).
9. From under the truck, install the 1/2" flat washers, U-Bolt springs, and 1/2" lock nuts (SEE FIGURE 1 AND 2). Tighten nuts so a minimum of 3 threads are showing past the nuts.
10. With the ball in the stored position (see figure 5). Check for clearance between ball and truck equipment (I.E. differential, brake lines, electrical lines, and others) by measuring from axle up to rubber bumper stop and from ball to nearest item. If insufficient space is present, inform customer not to store ball in the head when carrying heavy loads. The axle to the rubber bumper stop distance should be less than the ball to nearest item.

NOTE: If not installing head on Towing Products manufactured mounting kit, install four 5/8" (grade 5) bolts (not provided) in side holes of head along with the four vertical bolts to obtain maximum head rating of 30,000 Lb GTW / 7500 TW Lb.

AFTER SYSTEM INSTALLATION AND BEFORE TOWING:

Connect trailer to the tow vehicle following coupler manufacturer's operating instructions.

The coupler must be adjusted to provide about 6" of clearance between the bottom of the trailer nose and the top of the pickup bed sides. Slowly back the trailer to a jackknifed position to the tow vehicle while checking to see there is adequate clearance between the gooseneck trailer and the rear of the vehicle. Also check to see there is adequate clearance between the forward corners of the gooseneck trailer and the cab of the truck. Slowly jackknife the truck and trailer in the opposite direction and check the clearances to the end of the truck and the cab.

GOOSENECK MAINTENANCE

-Use magnetic cover to keep assembly free of dirt and debris. Lubricate hitch ball monthly or as needed with heavy grease. Lubricate ball sleeve with heavy grease when ball is installed and/or removed. Lubricate locking pin monthly or as needed with spray-on penetrating oil. Check bolt torque monthly. Check equipment before towing for worn or damaged parts. **REPLACE WORN OR DAMAGED PARTS IMMEDIATELY.**