

# Installation Instructions

## GOOSENECK MOUNTING KIT

### Chevrolet/GMC 1500/2500/3500

**Part Numbers:**  
**4440**

All except 4-door Crew-Cab

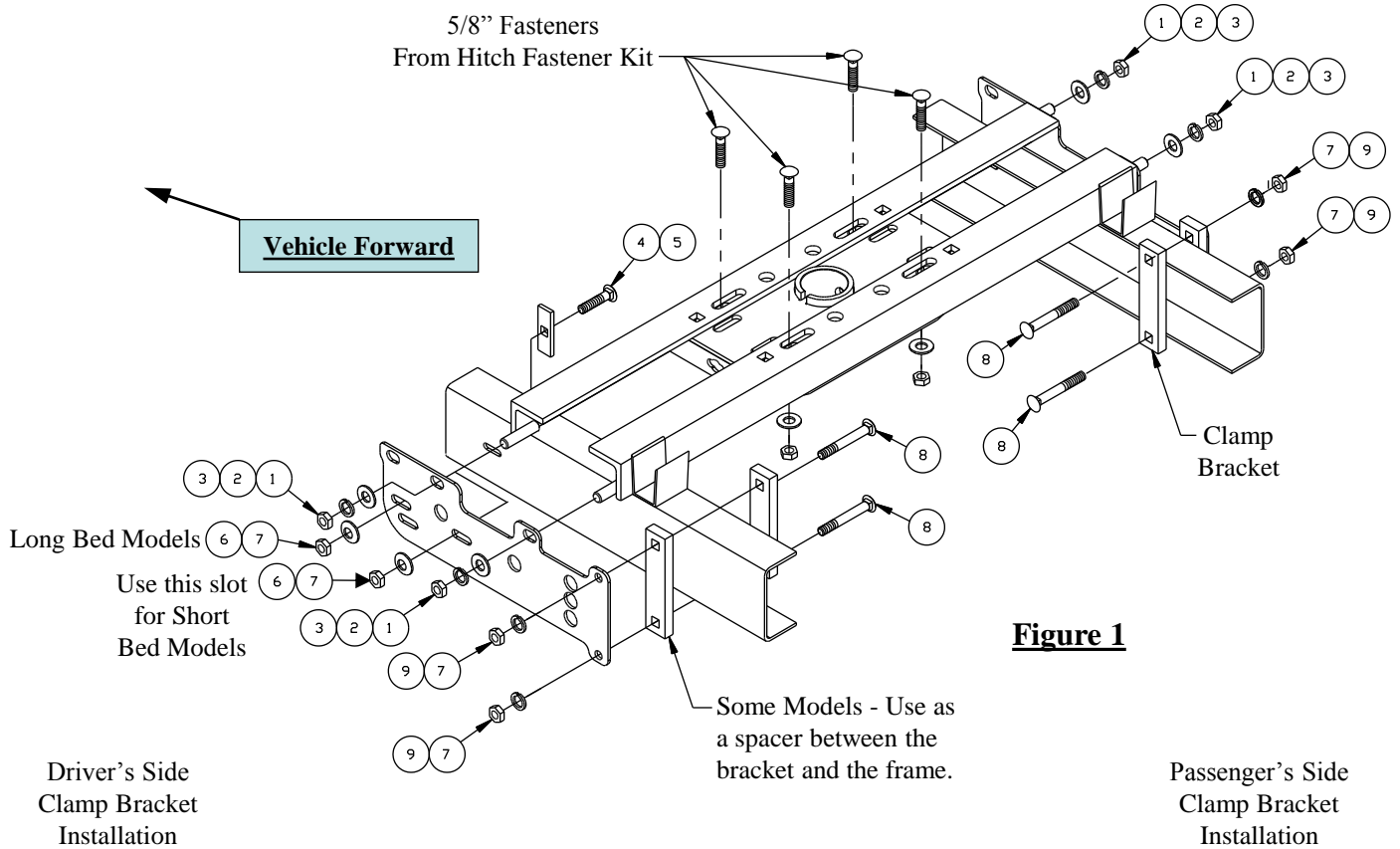
**Equipment Required:**

- Fastener Kit:** 4440F
- Wrenches:** 3/4, 7/8, 15/16
- Drill Bits:** 1/4"
- Other Tools:** Drill

**WARNING:** Under no circumstances do we recommend exceeding the towing vehicle manufacturers recommended vehicle towing capacity.

## 9465/9475 HIDE-A-GOOSE HITCH

### INSTALLATION



**Figure 1**



<b>1</b>	Qty. (4)	Hex Nut, 5/8	<b>6</b>	Qty. (2)	Conical Toothed Washer, 1/2
<b>2</b>	Qty. (4)	Lock Washer, 5/8	<b>7</b>	Qty. (6)	Hex Nut, 1/2
<b>3</b>	Qty. (4)	Flat Washer, 5/8	<b>8</b>	Qty. (4)	Carriage Bolt, 1/2-13 X 4.50 GR5
<b>4</b>	Qty. (2)	Carriage Bolt, 1/2-13 X 1.75 GR5	<b>9</b>	Qty. (4)	Lock Washer, 1/2
<b>5</b>	Qty. (2)	Block, 1/4 X 1.00 X 3.00	<b>10</b>	Qty. (4)	Shim, 5/16 X 1.00 X 2.00

# Installation Instructions

## Chevrolet/GMC 1500/2500/3500

Part Numbers:

4440

All except 4-door Crew-Cab

### NOTES:

- This section of instructions refers to installing the 9465 or 9475 head only.
- Always make sure the ball is fully locked before towing.
- Keep the ball and ball sleeve well lubricated.
- Periodically re-torque all the hitch fasteners.
- Check ball, hitch coupler, safety chains and other connections for proper operation every time you tow.

### Warning:

- ❖ The tow vehicle manufacturers recommended towing capacities should **UNDER NO CIRCUMSTANCES** be exceeded.
- ❖ Check for adequate clearance between the gooseneck trailer and the rear of the cab and the rear of the truck box before installing hitch.
- ❖ All trucks have fuel lines, brake lines and electrical wiring located along the vehicle frame where the rail kit installs. Carefully examine the location of fuel lines, brake lines and electrical wires before installation and be certain not to damage these when positioning the hitch components. Be careful when drilling holes, cutting sheet metal and tightening fasteners as to not limit the integrity of these systems.

Hide-A-Goose Only – Drilled hole in bed location (see step 1).

Short Box – 44-9/16 inches

Long Box – 44-9/16inches

## Hide-A-Goose Installation Instructions

1. When installing the 9465/9475 Hide-A-Goose hitch, a hole must be drilled in the bed of the truck. Mark and drill a 1/4 inch hole **44-9/16 inches (short & long box)** from the rear of the bed and centered between the wheel wells. Using a hole saw, enlarge the pilot to the final diameter hole size. Refer to the 9465/9475 Hide-A-Goose hitch instruction sheet for hole size.
2. From the passenger's side wheel well, notch or bend the sheet metal flange as shown in Figure 2. (**Optional:** The vehicle bed can be lifted to insert the hitch cross members by loosening the bolts that attach the bed to the frame).
3. Slide the hitch cross members half way through the notches or bends in the sheet metal flange and place 5/8 carriage bolts from the Hide-A-Goose hitch fastener kit into the long slots from underneath the vehicle. Slide the hitch cross members above both vehicle frame rails and align hitch cross members as shown in Figure 3.
4. Loosely install the Hide-A-Goose hitch to evenly position the rails (refer to Hide-A-Goose hitch instruction sheet for head mounting and installation).
5. Insert 1/2-13 X 1.75 carriage bolts and blocks through the forward mounting slots in the vehicle frame rails.
6. Loosely install the hitch frame brackets by aligning the threaded studs on the ends of cross members to the inner slots of the brackets, then aligning the mounting slots to the carriage bolts inserted in installation step 5.
7. Loosely install the flat washers, lock washers, and hex nuts to the frame brackets and the threaded studs on the end of the rails. Install conical toothed washers and hex nuts to secure the frame brackets to the frame rails of the vehicle.
8. Place the 1/2-13 X 4.50 carriage bolts into the square holes on the clamp brackets provided. From the inside of the vehicle frame rails loosely install the clamp brackets around the frame and to the mounting kit frame brackets. Some models will have a gap between the vehicle frame rails and the mounting kit frame brackets. Use the additional clamp brackets provided to fill this gap (see clamp bracket installation figure for clarification). Loosely install lock washers and hex nuts to secure the clamp brackets and frame brackets to the vehicle frame.
9. Align the sleeve of the Hide-A-Goose hitch with the hole drilled in the vehicle bed, and torque the hitch fasteners to the cross members to 210 ft.-lb. (285 N-m).
10. Tighten the frame bracket and cross member fasteners to the required torque specifications.

Torque all 5/8"-11 GR5 fasteners on the bracket to 150 ft.-lb. (203 N-m) and 1/2"-13 GR5 fasteners to 75 ft.-lb (102 N-m).

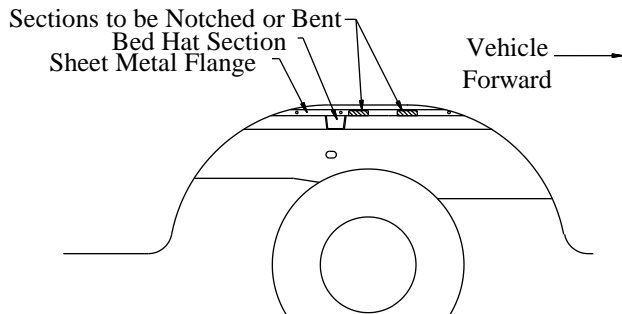


Figure 2

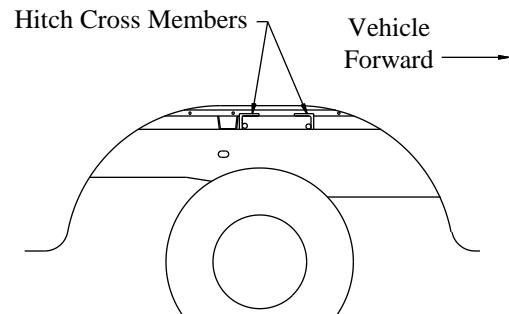


Figure 3

# Installation Instructions

## GOOSENECK MOUNTING KIT

### Chevrolet/GMC 1500/2500/3500

**Part Numbers:**  
**4440**

All except 4-door Crew-Cab

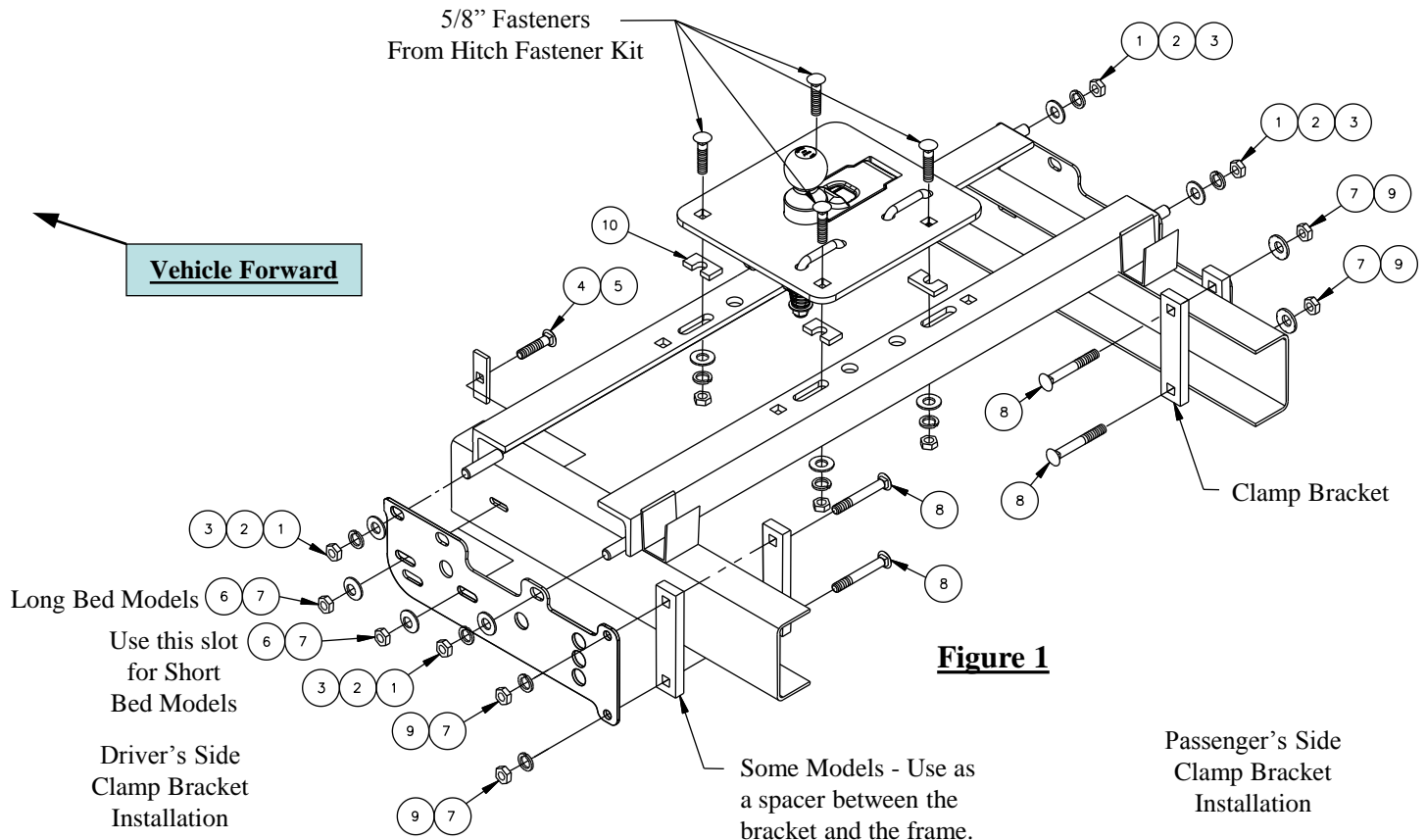
**Equipment Required:**

- Fastener Kit:** 4440F
- Wrenches:** 3/4, 7/8, 15/16
- Drill Bits:** 1/4"
- Other Tools:** Saber Saw, Drill

**WARNING:** Under no circumstances do we recommend exceeding the towing vehicle manufacturers recommended vehicle towing capacity.

## 6300/630044/8339 GOOSENECK HITCH

### INSTALLATION



<b>1</b>	Qty. (4)	Hex Nut, 5/8	<b>6</b>	Qty. (2)	Conical Toothed Washer, 1/2
<b>2</b>	Qty. (4)	Lock Washer, 5/8	<b>7</b>	Qty. (6)	Hex Nut, 1/2
<b>3</b>	Qty. (4)	Flat Washer, 5/8	<b>8</b>	Qty. (4)	Carriage Bolt, 1/2-13 X 4.50 GR5
<b>4</b>	Qty. (2)	Carriage Bolt, 1/2-13 X 1.75 GR5	<b>9</b>	Qty. (4)	Lock Washer, 1/2
<b>5</b>	Qty. (2)	Block, 1/4 X 1.00 X 3.00	<b>10</b>	Qty. (4)	Shim, 5/16 X 1.00 X 2.00

# Installation Instructions

Chevrolet/GMC 1500/2500/3500

All except 4-door Crew-Cab

Part Numbers:

4440

## NOTES:

- This section of instructions refers to installing the 6300, 630044 or 8339 head only.
- Always make sure the ball is fully locked before towing.
- Keep the ball and ball pocket well lubricated.
- Periodically re-torque all the hitch fasteners.
- Check ball, hitch coupler, safety chains and other connections for proper operation every time you tow.

## Warning:

- ❖ The tow vehicle manufacturers recommended towing capacities should **UNDER NO CIRCUMSTANCES** be exceeded.
- ❖ Check for adequate clearance between the gooseneck trailer and the rear of the cab and the rear of the truck box before installing hitch.
- ❖ All trucks have fuel lines, brake lines and electrical wiring located along the vehicle frame where the rail kit installs. Carefully examine the location of fuel lines, brake lines and electrical wires before installation and be certain not to damage these when positioning the hitch components. Be careful when drilling holes, cutting sheet metal and tightening fasteners as to not limit the integrity of these systems.

## 6300/630044 Remove-A-Ball and 8339 Fold Down Gooseneck Installation

1. From the passenger's side wheel well, notch or bend the sheet metal flange as shown in Figure 2. (**Optional:** The vehicle bed can be lifted to insert the hitch cross members by loosening the bolts that attach the bed to the frame).
2. Slide the hitch cross members through the notches or bends in the sheet metal flange and align the cross members as shown in Figure 3. The rearward cross member should be positioned up against the bed hat section of the vehicle.
3. Insert 1/2-13 X 1.75 carriage bolts and blocks through the forward mounting slots in the vehicle frame rails.
4. Loosely install the frame brackets by aligning the threaded studs on the ends of cross members to the outer slots of the brackets, then aligning the mounting slots to the carriage bolts inserted in installation step 3.
5. Loosely install the flat washers, lock washers, and hex nuts to the frame brackets and the threaded studs on the end of the rails. Install conical toothed washers and hex nuts to secure the frame brackets to the frame rails of the vehicle.
6. Place the 1/2-13 X 4.50 carriage bolts into the square holes on the clamp brackets provided. From the inside of the vehicle frame rails, loosely install the clamp brackets around the frame and to the mounting kit frame brackets. Some models will have a gap between the vehicle frame rails and the mounting kit frame brackets. Use the additional clamp brackets provided to fill this gap (see clamp bracket installation figure for clarification). Loosely install lock washers and hex nuts to secure the clamp brackets and frame brackets to the vehicle frame.
7. Tighten the rearward cross member fasteners to the frame brackets to 150 ft.-lb. (203 N-m). Tighten the fasteners that secure the clamp brackets to the frame brackets and vehicle frame rails to 75 ft.-lb. (102 N-m). Tighten the fasteners that connect the frame brackets to the frame rails to 75 ft.-lb (102 N-m). The forward cross member should be left loose until step 15.
8. **For 6300/630044 & 8339** use the **outer** edges of the long slots in the rearward cross member as a template to drill 5/8" diameter holes through the truck bed as shown in Figure 4. Not all holes will be drilled from under the vehicle, but will be done later from inside the bed.
9. Align the holes on the template (provided with gooseneck hitch) with the hole previously drilled through the bed (see Figure 5). Be sure that the template is properly oriented toward the front of the vehicle. Center punch the holes that will be use to cut the opening in the bed. If the vehicle is equipped with a bed liner, a section of the bed liner must be cut away so that the gooseneck hitch can contact the bed corrugations.

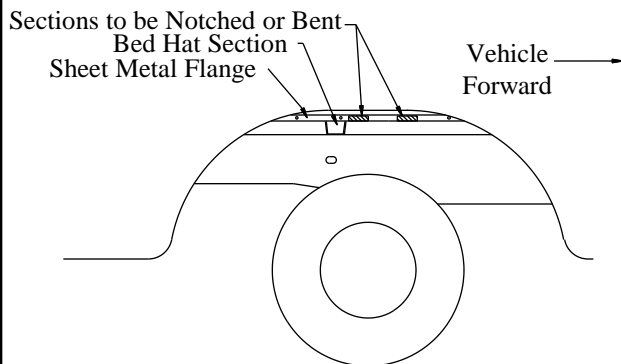


Figure 2

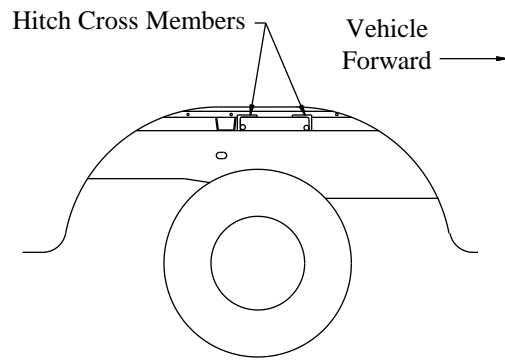


Figure 3

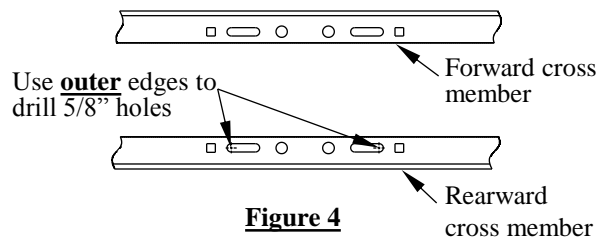
# Installation Instructions

Chevrolet/GMC 1500/2500/3500

All except 4-door Crew-Cab

Part Numbers:

4440



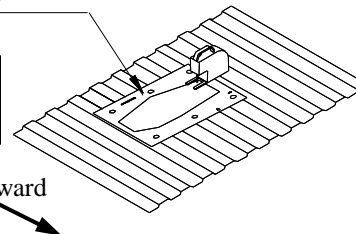
**6300 / 630044 / 8339**  
**Hole Locations**

**Figure 4**

10. Drill 1/4" pilot holes (size will depend on width of blade in saber saw) and cut out the truck bed for the gooseneck hitch installation. File edges as needed.
11. Install hitch into opening.

Template p/n 5978 for use with 6300/630044 head  
Template p/n 114234 for use with 8339 head

Durable and reusable stainless steel templates are also available. A time saver for cutting bed liner and bed.  
Template p/n 6467 for use with 6300/630044 head  
Template p/n 6425 for use with 8339 head

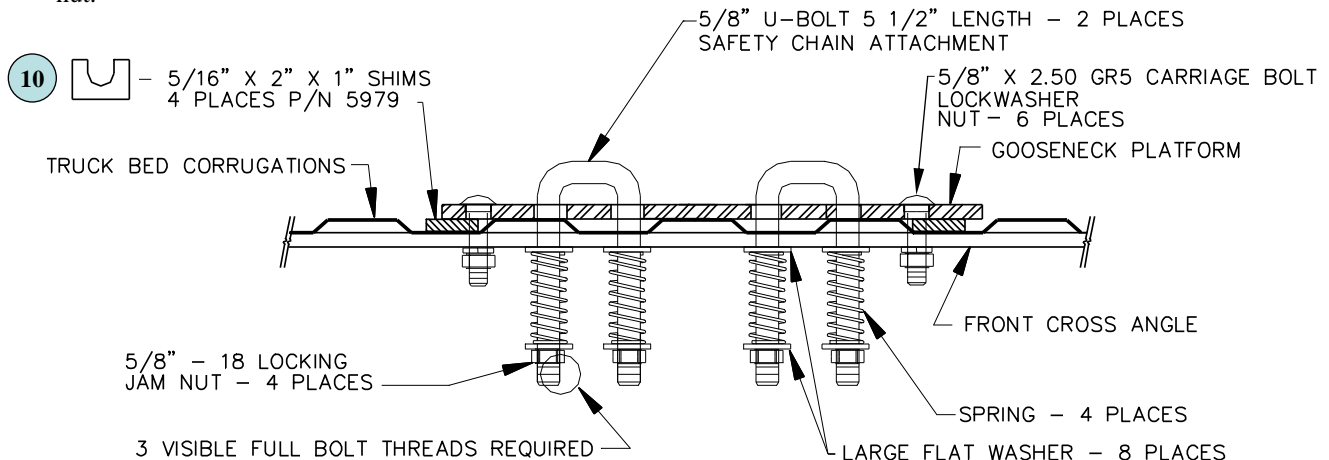


**Figure 5**

12. Use the hitch as a guide to drill the 5/8" diameter mounting holes in the forward cross member. Also, drill 5/8" diameter U-Bolt holes if installing a 6300/630044 or 8339 gooseneck hitch.

**WARNING** The fuel tank and/or other vehicle components are located below some of the holes. A wood or metal shield must be placed between the frame and the fuel tank to prevent puncturing the fuel tank when the drill breaks through the bed.

13. Before fully installing the 5/8" carriage bolts through the hitch, the U-block shims (Part Number 5979) must be placed between the hitch and the bed. These shims are necessary to prevent the bed corrugations from collapsing when the bolts are tightened.
14. Install the 5/8" X 2.50 GR5 carriage bolts through the hitch, shims and cross members. Secure with lock washers and nuts. Torque nuts to 150 Lb.-Ft. (203 N-m).
15. Tighten the fasteners that attach the forward cross member to the frame brackets to 150 ft.-lb. (203 N-m).
16. **For 6300/630044 and 8339 Installations:** Install the (2) U-Bolts through the platform and from under the vehicle install large flat washer over the U-Bolt followed by a spring, another large flat washer and secure with a thin 5/8" jam nut. Repeat for other legs of the U-Bolts. The 5/8" jam nuts are tightened until 3 threads are visible past the bottom of the jam nut.



**LIMITED LIFETIME WARRANTY**

Part No: \_\_\_\_\_

Date of Original Purchase: \_\_\_\_\_

Original Owner: \_\_\_\_\_

Original Installer: \_\_\_\_\_

1. Limited Lifetime Warranty ("Warranty"). Cequent Performance Products, Inc. ("We" or "Us") warrants to the original consumer purchaser only ("You") that the product will be free from material defects in both material and workmanship, ordinary wear and tear excepted; provided that installation and use of the product is in accordance with product instructions. There are no other warranties, express or implied, including the warranty of merchantability or fitness for a particular purpose. This warranty is not transferable.

2. Limitations on the Warranty. This Warranty does not cover: (a) normal wear and tear; (b) damage through abuse, neglect, misuse, or as a result of any accident or in any other manner; (c) damage from misapplication, overloading, or improper installation; (d) improper maintenance and repair; and (e) product alteration in any manner by anyone other than Us, with the sole exception of alterations made pursuant to product instructions and in a workmanlike manner.

3. Obligations of Purchaser. To make a Warranty claim, contact Us, at our principal address of 47912 Halyard Dr. Suite 100, Plymouth, MI 48170, 1-888-521-0510, identify the product by model number, and follow the claim instructions that will be provided. Any returned product that is replaced by Us becomes our property. You will be responsible for return shipping costs. Please retain your purchase receipt to verify date of purchase and that You are the original consumer purchaser. The product and the purchase receipt must be provided to Us in order to process Your Warranty claim.

4. Remedy Limits. Product replacement is Your sole remedy under this Warranty. We shall not be liable for service or labor charges incurred in removing or replacing a product or any incidental or consequential damages of any kind.

5. Assumption of Risk. You acknowledge and agree that any use of the product for any purpose other than the specified use(s) stated in the product instructions is at Your own risk.

6. Governing Law. This Warranty gives You specific legal rights, and You also may have other rights which vary from state to state. This Warranty is governed by the laws of the State of Michigan, without regard to rules pertaining to conflicts of law. The state courts located in Oakland County, Michigan shall have exclusive jurisdiction for any disputes relating to this Warranty.

# Hide-A-Goose Installation Instructions

Part Numbers:  
**9465/9475**

**Do Not Exceed Lower of Towing Vehicle  
Manufacturer's Rating or**

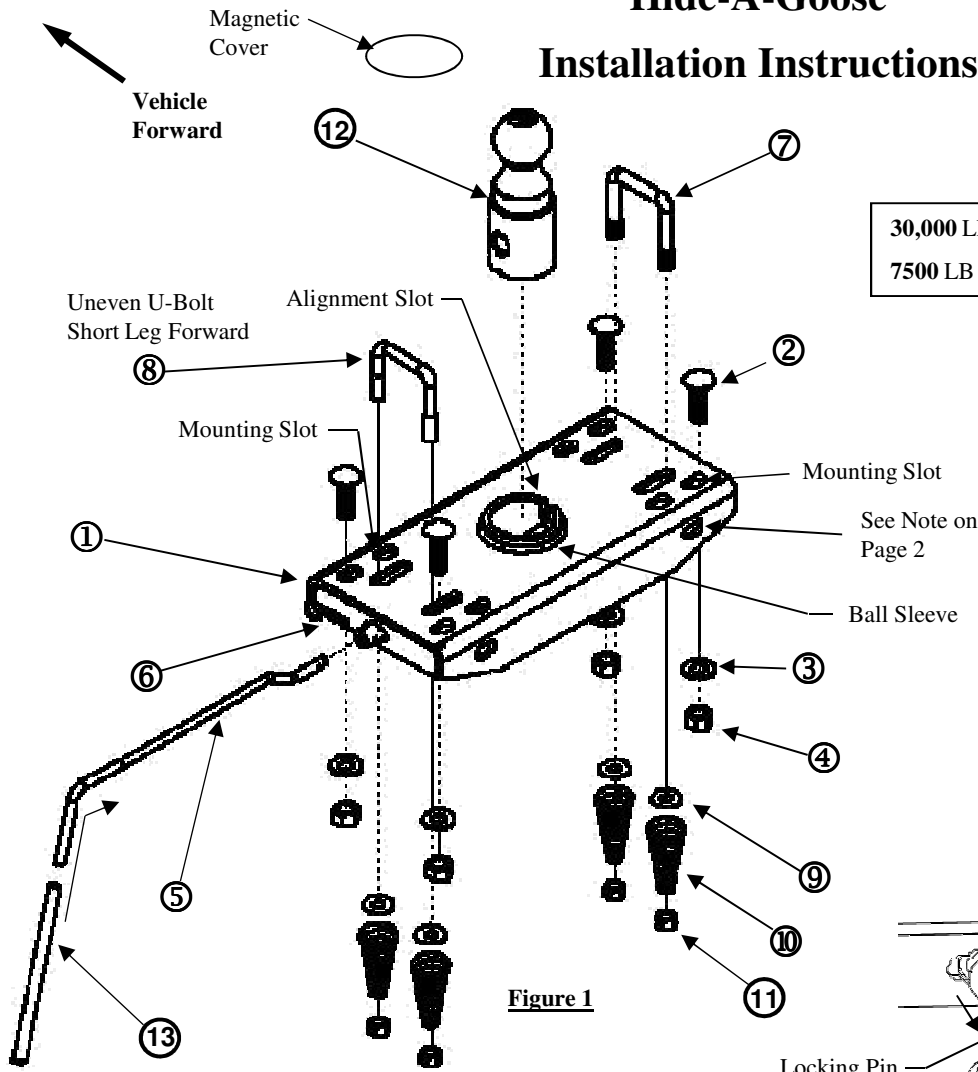
**30,000 LB (13620 Kg) Max Gross Trailer Weight (GTW)  
7500 LB (3405 Kg) Max Tongue Weight (TW)**

**Equipment Required:**

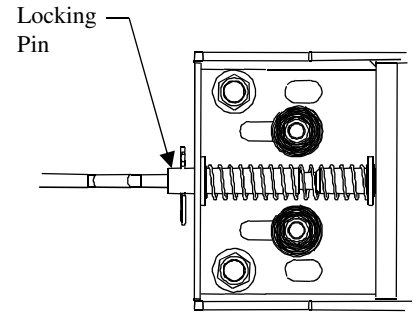
**Fastener Kit:** 58320 and 58321

**Wrenches:** 3/4", 15/16"

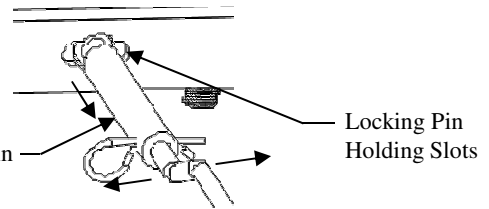
**Drill Bits:** 3/16", 9/16", 3 1/2" Hole Saw



**Figure 1**



**Figure 2**



**Figure 3**

A brand label, either *Draw-Tite* or *BullDog*, is supplied with this hitch. After installing mounting kit to truck frame peel and apply this label to surface of frame bracket.

**IMPORTANT!**

This product is intended to be used with Cequent Performance Products manufactured mounting kits. If the Gooseneck hitch installation is made with Cequent manufactured mounting kits, the installation instructions for the Gooseneck hitch are included as part of the mounting kit installation instructions. Give this installation instruction to vehicle owner after installation is complete.

**General instructions for fabricated support structures.**

**IF CEQUENT PERFORMANCE PRODUCTS MANUFACTURED MOUNTING KITS ARE NOT USED, THIS PRODUCT BECOMES A GENERAL APPLICATION PRODUCT. IT IS THE RESPONSIBILITY OF THE INSTALLER TO SELECT STRUCTURALLY SAFE MATERIALS AND LOCATIONS FOR ATTACHMENT. INSTALLATION INFORMATION FOLLOWS.**

①	Qty. (1)	Head	⑧	Qty. (1)	1/2" Uneven U-Bolt, 2-1/2" and 3" Legs
②	Qty. (4)	5/8" -11 X 2.00 Grade 8 Carriage Bolt	⑨	Qty. (4)	1/2" Flat Washer
③	Qty. (4)	Conical Toothed Washer	⑩	Qty. (4)	U-Bolt Spring
④	Qty. (4)	5/8"-11 Hex Nut	⑪	Qty. (4)	1/2"-13 Lock Nut
⑤	Qty. (1)	Handle	⑫	Qty. (1)	2-5/16" Ball
⑥	Qty. (1)	Spring Clip	⑬	Qty. (1)	Vinyl Handle
⑦	Qty. (1)	1/2" U-Bolt, 3" Legs			

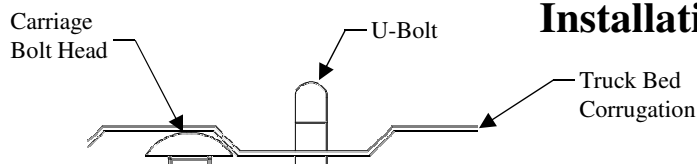
Tighten all 5/8 grade 8 fasteners with torque wrench to 210 Lb.-Ft. (285 N\*M)

Tighten all 5/8 grade 5 fasteners with torque wrench to 150 Lb.-Ft. (203 N\*M)

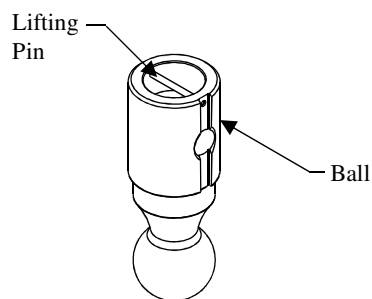
Note: check hitch frequently, making sure all fasteners and ball are properly tightened. If hitch is removed, plug all holes in trunk pan or other body panels to prevent entry of water and exhaust fumes. A hitch or ball which has been damaged should be removed and replaced. Observe safety precautions when working beneath a vehicle and wear eye protection. Do not cut access or attachment holes with a torch.

# Installation Instructions

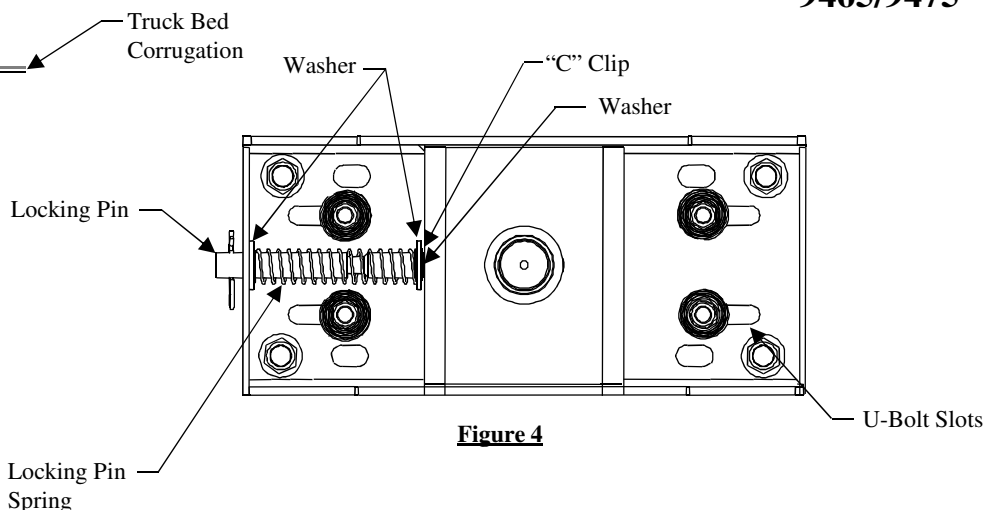
Part Numbers:  
**9465/9475**



**Figure 6**



**Figure 5**



**Figure 4**

- The following guidelines must be followed before installation begins:
    - The hitch ball must be located along the truck's fore/aft centerline.
    - The hitch ball centerline must be located above and forward of the rear axle of the truck.
    - Adequate clearance must be provided between the gooseneck trailer and the rear of the vehicle so that the gooseneck trailer does not contact any part of the truck during turning.
    - Adequate clearance must be provided between the forward corners of the gooseneck trailer and the cab of the truck.
    - Determine that the ball position and under vehicle supports do not interfere with any vehicle cross members, brake lines, electrical wiring, cables, fuel lines or vents.
  - Install under bed supports with (4) vertical 5/8" bolts in rails.
  - With hitch ball center marked on the truck, center punch and drill 3/16" pilot hole, recheck all clearances, then open the 3/16" hole with a 3 1/2" hole saw. File edges as needed.
  - Lift head into position.
  - Use the 5/8" conical toothed washers and hex nuts to install the head. Do not tighten completely at this time.
  - Align ball sleeve on head, with the 3-1/2" hole in bed and tighten 5/8" fasteners.
  - Using the U-bolt slots as a guide, drill four 9/16" holes in the bed. These holes must be in a lower bed corrugations to limit the amount of U-bolt showing above the bed (see figure 6).
  - Touch up the drilled holes with paint.
  - Install the U-Bolts from the inside of the bed (see figure 2).
- NOTE: On Chevy/GMC 2500/3500 trucks, install the U-Bolt with the uneven legs on the driver's side with the short leg forward to allow extra room for fuel tank and components.**
- From under the truck, install the 1/2" flat washers, U-Bolt springs, and 1/2" lock nuts (see figure 1 and 2). Tighten nuts so a minimum of 3 threads are showing passed the nuts.
  - With the ball in the stored position (see figure 5). Check for clearance between ball and truck equipment (I.E. differential, brake lines, electrical lines, and others) by measuring from axle up to rubber bumper stop and from ball to nearest item. If insufficient space is present, inform customer not to store ball in the head when carrying heavy loads. The axle to the rubber bumper stop distance should be less than the ball to nearest item.
- NOTE: If not installing head on Towing Products manufactured mounting kit, secure the hitch to your mounting system using the four holes in the front and back of the hitch and four 5/8" (grade 5) bolts (not provided). See figure 1. This is in addition to the four vertical bolts provided in the kit and will allow you to obtain the maximum head rating of 30,000 Lb GTW / 7500 TW Lb.**

## **AFTER SYSTEM INSTALLATION AND BEFORE TOWING:**

Connect trailer to the tow vehicle following coupler manufacturer's operating instructions.

The coupler must be adjusted to provide about 6" of clearance between the bottom of the trailer nose and the top of the pickup bed sides. Slowly back the trailer to a jackknifed position to the tow vehicle while checking to see there is adequate clearance between the gooseneck trailer and the rear of the vehicle. Also check to see there is adequate clearance between the forward corners of the gooseneck trailer and the cab of the truck. Slowly jackknife the truck and trailer in the opposite direction and check the clearances to the end of the truck and the cab.

## **GOOSENECK MAINTENANCE**

-Use magnetic cover to keep assembly free of dirt and debris. Lubricate hitch ball monthly or as needed with heavy grease. Lubricate ball tube with heavy grease when ball is installed and/or removed. Lubricate locking pin monthly or as needed with spray-on penetrating oil. Check bolt torque monthly. Check equipment before towing for worn or damaged parts. **REPLACE WORN OR DAMAGED PARTS IMMEDIATELY.**