

Installation Instructions

GOOSENECK MOUNTING KIT

Part Numbers:

4454

Chevrolet/GMC 1500 Short & Long Beds
1500 HD, 2500LD Short Beds

Equipment Required:

Fastener Kit: 4454F

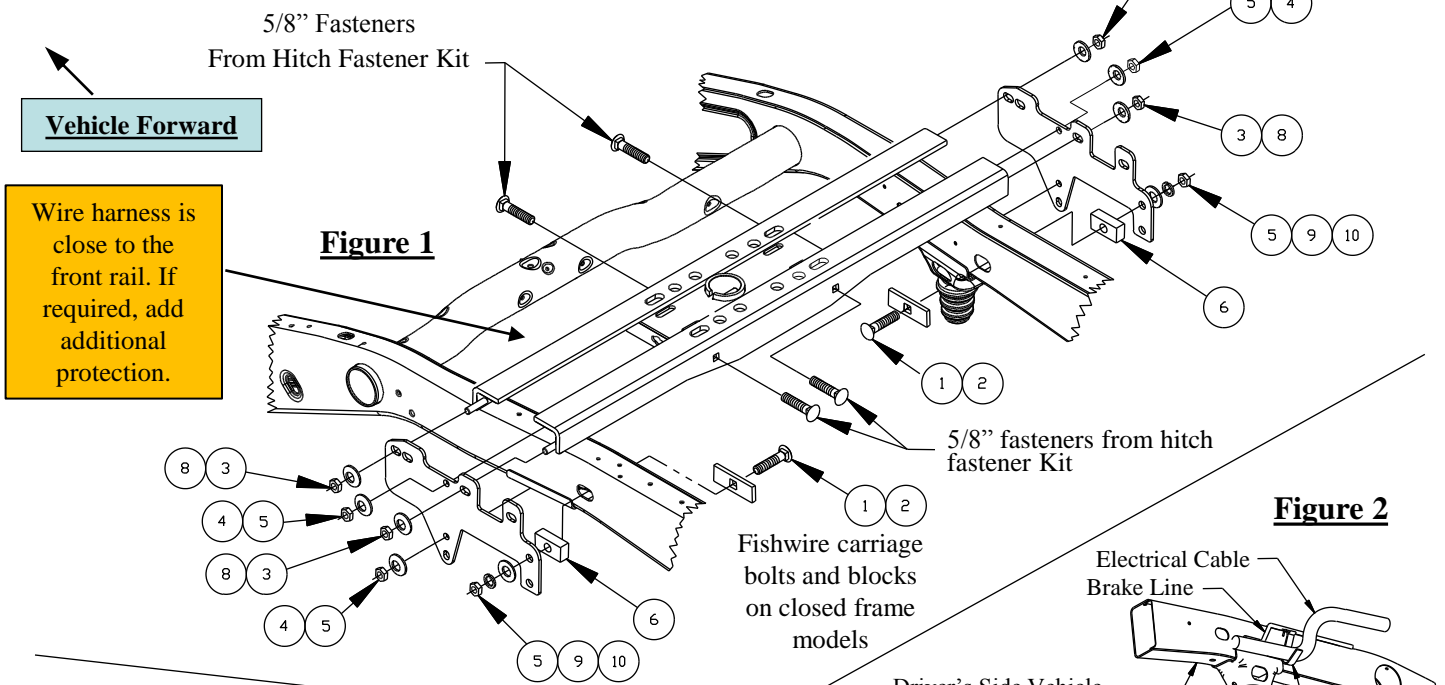
Wrenches: 3/4, 15/16, 13mm

Drill Bits: 1/4", some older models a 1/2"

Other Tools: Drill, Saber Saw

WARNING: Under no circumstances do we recommend exceeding the towing vehicle manufacturers recommended vehicle towing capacity.

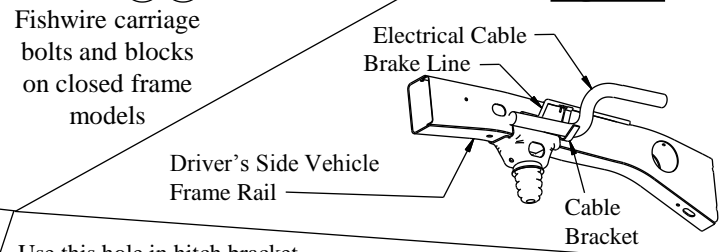
9465/9475 Hide-A-Goose Installation



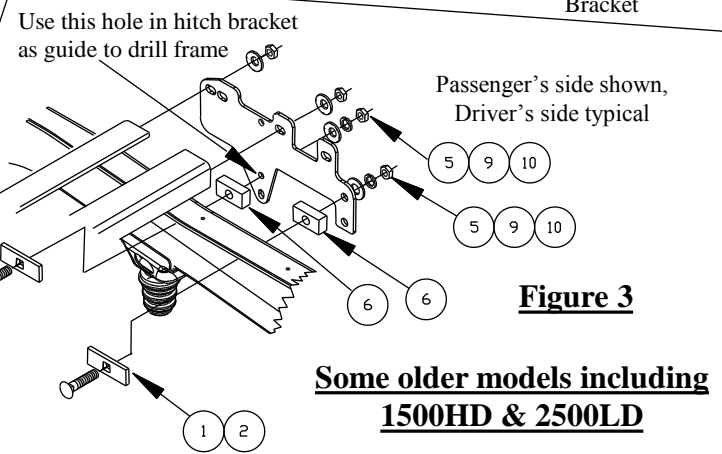
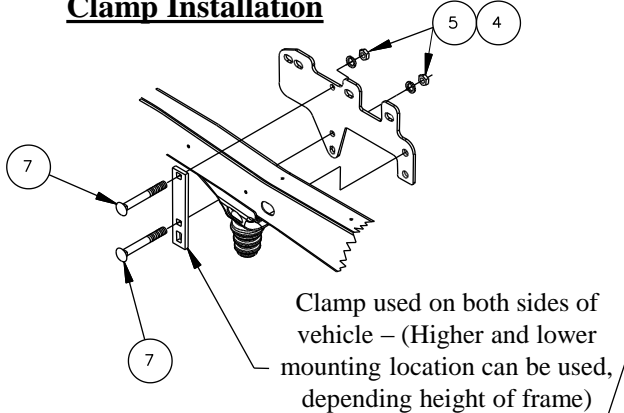
Vehicle Forward

Wire harness is close to the front rail. If required, add additional protection.

Figure 2



Clamp Installation



Some older models including 1500HD & 2500LD

1	Qty. (4)	Carriage Bolt, 1/2-13 x 2.25 GR5	7	Qty. (4)	Carriage Bolt, 1/2 X-13 X 4.50 GR5
2	Qty. (4)	Block, 1/4 X 1.00 X 3.00	8	Qty. (4)	5/8" Conical Toothed Washer
3	Qty. (4)	5/8-11 Hex nut	9	Qty. (4)	Lock Washer, 1/2
4	Qty. (4)	1/2" Conical Toothed Washer	10	Qty. (4)	Flat Washer, 1/2
5	Qty. (8)	Hex Nut, 1/2	11	Qty. (4)	Shims, 5/16 X 2.00 X 1.00
6	Qty. (4)	Block, 5/8 X 1.00 X 2.00	12	Qty. (2)	Fishwire – 1/2

Installation Instructions

Chevrolet/GMC 1500 Short & Long Beds
1500HD, 2500LD Short Beds

Part Numbers:
4454

NOTES:

- This section of instructions refers to installing the 9465 or 9475 head only.
- Always make sure the ball is fully locked before towing.
- Keep the ball and ball sleeve well lubricated.
- Periodically re-torque all the hitch fasteners.
- Check ball, hitch coupler, safety chains and other connections for proper operation every time you tow.

Warning:

- ❖ **The tow vehicle manufacturers recommended towing capacities should UNDER NO CIRCUMSTANCES be exceeded.**
- ❖ **Check for adequate clearance between the gooseneck trailer and the rear of the cab and the rear of the truck box before installing hitch.**
- ❖ **All trucks have fuel lines, brake lines and electrical wiring located along the vehicle frame where the rail kit installs. Carefully examine the location of fuel lines, brake lines and electrical wires before installation and be certain not to damage these when positioning the hitch components. Be careful when drilling holes, cutting sheet metal and tightening fasteners as to not limit the integrity of these systems.**

Hide-A-Goose Only – Drilled hole in bed location (see step 4).

Short Box – 44-3/4 inches

Long Box – 49-1/2 inches

9465/9475 Hide-A-Goose Installation

1. Figure 2 shows a cable bracket which holds a brake line to the inside of the frame rail. Loosen this bracket from the top of the frame and move the brake line down about 1/2" so that it is not interfering with hitch cross members.
2. From underneath the passenger's side of vehicle remove or cut out the section of the heat shield that is located between the frame rails and the bed of the vehicle.
3. Cut the heat shield on the gas tank or bend the top edge down about 1" down to make room for the hitch (see Figure 3).
4. When installing the 9465/9475 Hide-A-Goose hitch, a hole must be drilled in the bed of the truck. Mark and drill a 1/4" hole **44-3/4 inches (short box) / 49-1/2 inches (long box)** from the rear of the bed and centered between the wheel wells. Using a hole saw enlarge pilot hole to final diameter hole size. Refer to the 9465/9475 Hide-A-Goose hitch instruction sheet for hole size.
- 5a. **Placing Cross Members Between Bed And Frame, Method 1: Loosen The Truck Bed:** Remove four truck bed bolts (using 18mm socket) completely from the drivers side frame. The bolts are located on the bottom side of the frame. Loosen, but do not remove, the four bolts holding the bed to the passenger side of the frame. Prop up the driver's side of the truck bed enough to make room for the cross members to fit between the bottom of the truck bed side flange and the top of the frame.
- 5b. **Placing Cross Members Between Bed And Frame, Method 2: Notch the Side Flange:** From the driver's side wheel well, notch the sheet metal flange as shown in Figure 5a for 6' beds and Figure 5b for 8' beds. After notching, the cut steel surfaces should be touched up with paint to prevent rusting.
6. Slide the hitch cross members half way through the notches in the sheet metal flange and place 5/8 carriage bolts from the 9465/9475 fastener kit into the square holes on the vertical leg of the cross members, from underneath the vehicle. Slide the hitch cross members above both vehicle frame rails and align hitch cross members as shown in Figure 6. **Note: if the truck bed has been loosened as in step 5a, the hitch can be loosely preassembled to the cross members, and the hitch and cross members can be slid between the truck bed flange and the vehicle frame (see figure 4). The truck bed will need to be propped up on the driver's side about 3-1/2" to slide the hitch and cross members into position.**
7. Loosely install the 9465/9475 Hide-A-Goose hitch if not done in the previous installation step. Refer to Hide-A-Goose Hitch instruction sheet for installation.
8. Place 1/4 X 1.00 X 3.00 blocks and 1/2 carriage bolts through slots in the driver's side and passenger's side of vehicle frame pointing outwards. Install the 5/8 X 1.00 X 2.00 block onto the carriage bolts. Install the hitch frame brackets by aligning the rearward holes in the brackets with the carriage bolts and install the 1/2 flat washer, lock washers and hex nuts. Loosely install the 5/8-11 hex nuts and conical toothed washers onto the threaded studs on the ends of the hitch cross members (see Figure 7).
9. Install the frame bracket clamp by placing the clamp to the inside of the frame rail, insert the 1/2-13 X 4.50 GR5 carriage bolts through the square holes in the clamp and through the frame bracket with the threaded end pointing outwards. Install the conical toothed washers and hex nuts. Some models require using hole in hitch bracket as guide to drill frame. See **Figure 3**.
10. After loosely installing the 9465/9475 Hide-A-Goose hitch and mounting kit, carefully align the hitch ball sleeve with the opening cut in the truck bed. Torque all 5/8-11 GR5 fasteners on the brackets to 150 ft.-lb. (203 N-m) and 1/2-13 GR5 fasteners to 75 ft.-lb. (102 N-m). Use the following sequence: a) torque frame brackets to the frame of the vehicle, b) torque cross members to the frame brackets, c) torque Hide-A-Goose hitch to cross members.
11. If vehicle bed was lifted to insert cross members, tighten bolts that attach the bed to the frame.

Installation Instructions

Chevrolet/GMC 1500 Short & Long Beds
1500HD, 2500LD Short Beds

Part Numbers:

4454

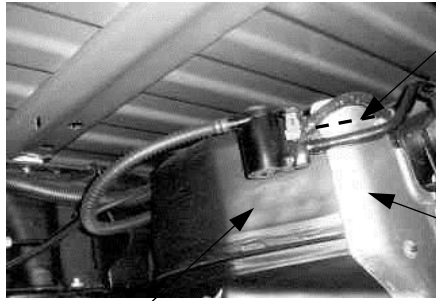


Figure 3
Rear of Gas Tank

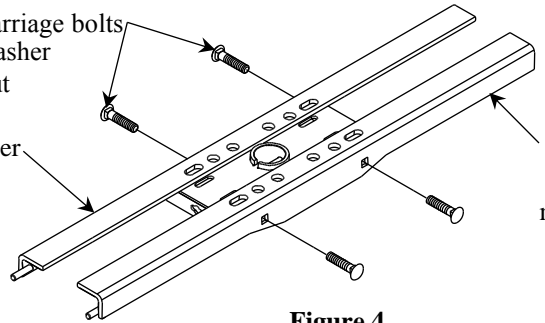
Trim or bend heat shield here

Forward cross member

Heat shield

All hardware pictured is from Hide-A-Goose Hitch fastener kit

5/8" carriage bolts
5/8" washer
5/8" nut



Rear cross member

Figure 4

Hitch preassembled to cross members

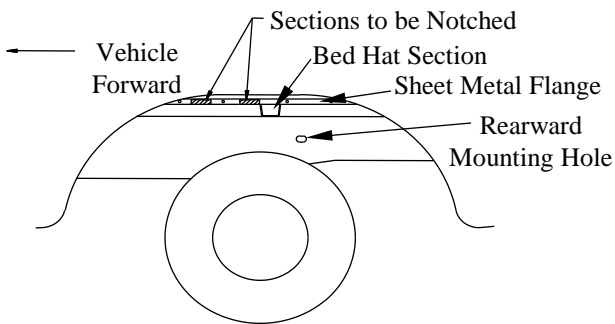


Figure 5a
Short Bed – Hide-A-Goose

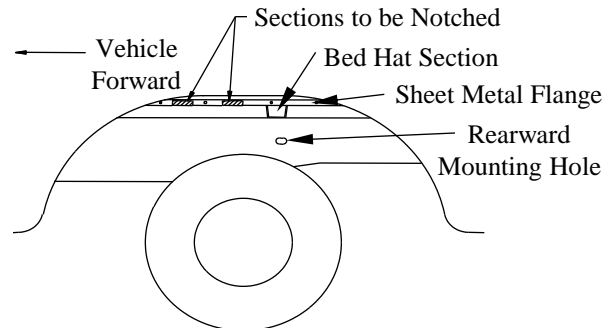


Figure 5b
Long Bed – Hide-A-Goose

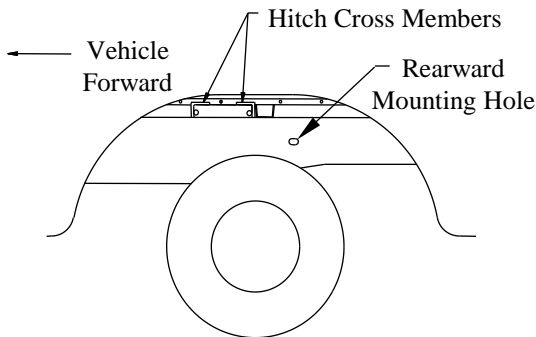


Figure 6a
Short Bed – Hide-A-Goose

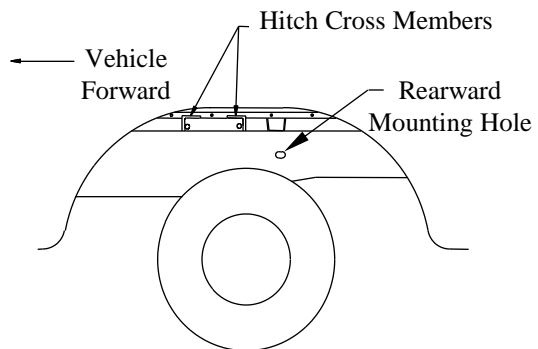


Figure 6b
Long Bed – Hide-A-Goose

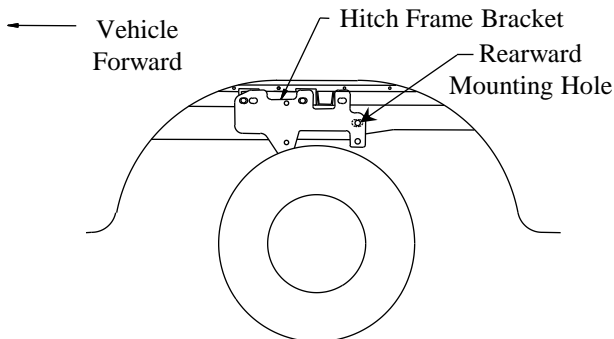


Figure 7a
Short Bed – Hide-A-Goose

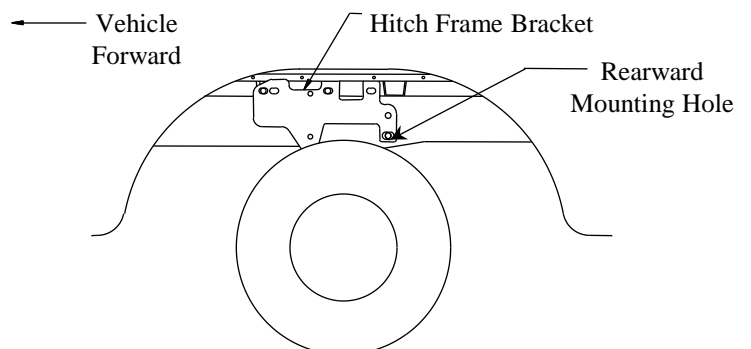


Figure 7b
Long Bed – Hide-A-Goose

Installation Instructions
GOOSENECK MOUNTING KIT

Chevrolet/GMC 1500 Short & Long Beds
1500HD, 2500LD Short Beds

Part Numbers:

4454

This page was intentionally left blank.

Installation Instructions

GOOSENECK MOUNTING KIT

Part Numbers:

4454

Chevrolet/GMC 1500 Short & Long Beds
1500HD, 2500LD Beds

WARNING: Under no circumstances do we recommend exceeding the towing vehicle manufacturers recommended vehicle towing capacity.

Equipment Required:

Fastener Kit: 4454F

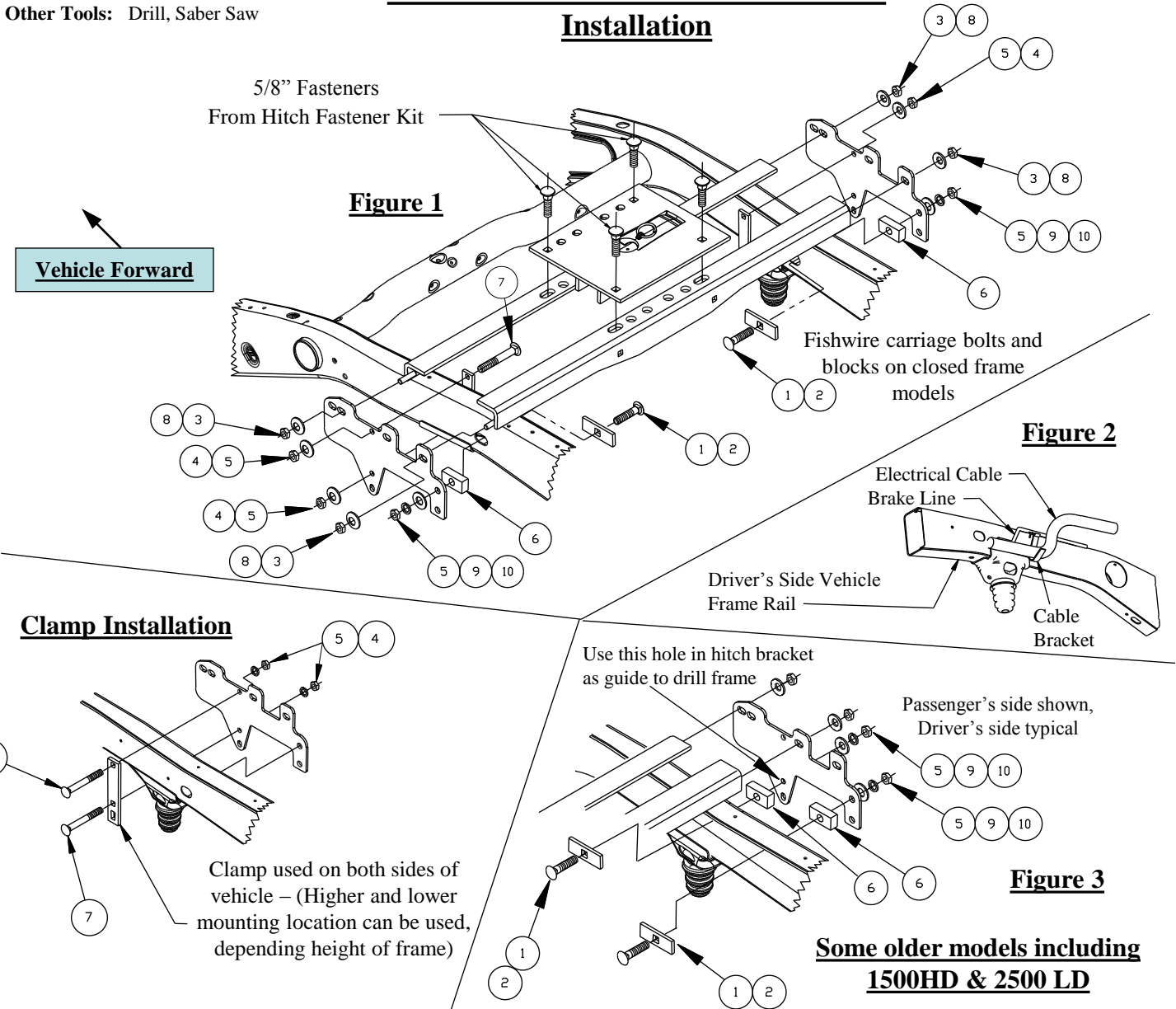
Wrenches: 3/4, 15/16, 13mm

Drill Bits: 1/4", some older models a 1/2"

Other Tools: Drill, Saber Saw

6300/630044 or 8339 Gooseneck Hitch

Installation



1	Qty. (4)	Carriage Bolt, 1/2-13 x 2.25 GR5	7	Qty. (4)	Carriage Bolt, 1/2 X-13 X 4.50 GR5
2	Qty. (4)	Block, 1/4 X 1.00 X 3.00	8	Qty. (4)	5/8" Conical Toothed Washer
3	Qty. (4)	5/8-11 Hex nut	9	Qty. (4)	Lock Washer, 1/2
4	Qty. (4)	1/2" Conical Toothed Washer	10	Qty. (4)	Flat Washer, 1/2
5	Qty. (8)	Hex Nut, 1/2	11	Qty. (4)	Shims, 5/16 X 2.00 X 1.00
6	Qty. (4)	Block, 5/8 X 1.00 X 2.00	12	Qty. (2)	Fishwire - 1/2

Installation Instructions

Part Numbers:

Chevrolet/GMC 1500 Short & Long Beds
1500HD, 2500LD Beds

4454

NOTES:

- This section of instructions refers to installing the 6300, 630044 or 8339 head only.
- Always make sure the ball is fully locked before towing.
- Keep the ball and ball pocket well lubricated.
- Periodically re-torque all the hitch fasteners.
- Check ball, hitch coupler, safety chains and other connections for proper operation every time you tow.

Warning:

- ❖ **The tow vehicle manufacturers recommended towing capacities should UNDER NO CIRCUMSTANCES be exceeded.**
- ❖ **Check for adequate clearance between the gooseneck trailer and the rear of the cab and the rear of the truck box before installing hitch.**
- ❖ **All trucks have fuel lines, brake lines and electrical wiring located along the vehicle frame where the rail kit installs. Carefully examine the location of fuel lines, brake lines and electrical wires before installation and be certain not to damage these when positioning the hitch components. Be careful when drilling holes, cutting sheet metal and tightening fasteners as to not limit the integrity of these systems.**

6300/630044 Remove-A-Ball and 8339 Fold Down Gooseneck Installation

1. Figure 2 shows a cable bracket which holds a brake line to the inside of the frame rail. Loosen this bracket from the top of the frame and move the brake line down about 1/2" so that it is not interfering with hitch cross members.
2. From underneath the passenger's side of vehicle remove or cut out the section of the heat shield that is located between the frame rails and the bed of the vehicle.
- 3a. **Placing Cross Members Between Bed And Frame, Method 1: Loosen The Truck Bed:** Remove four truck bed bolts (using 18mm socket) completely from the drivers side frame. The bolts are located on the bottom side of the frame. Loosen, but do not remove, the four bolts holding the bed to the passenger side of the frame. Prop up the driver's side of the truck bed enough to make room for the cross members to fit between the bottom of the truck bed side flange and the top of the frame.
- 3b. **Placing Cross Members Between Bed And Frame, Method 2: Notch the Side Flange:** From the driver's side wheel well, notch the sheet metal flange as shown in Figure 4a for 6' beds and Figure 4b for 8' beds. After notching, the cut steel surfaces should be touched up with paint to prevent rusting.
4. Slide the hitch cross members above both vehicle frame rails and align hitch cross members as shown in Figure 5.
5. Place 1/4 X 1.00 X 3.00 blocks and 1/2-13 X 2.25 carriage bolts through slots in the driver's side and passenger's side of vehicle frame pointing outwards and install the hitch frame brackets by aligning the rearward holes in the brackets with the fasteners. Loosely install the 5/8-11 hex nuts and conical toothed washers onto the threaded studs on the ends of the hitch cross members (see Figure 6).
6. Install the frame bracket clamp by placing the clamp to the inside of the frame rail, insert the 1/2-13 X 4.50 GR5 carriage bolts through the square holes in the clamp and through the frame bracket with the threaded end pointing outwards. Install the 1/2 conical toothed washers and hex nuts. Some models require using hole in hitch bracket as guide to drill frame, see **Figure 3**.
7. With the rearward cross member and side brackets in position, torque the 5/8-11 GR5 fasteners that attach the brackets to the rearward cross member to 150 ft.-lb (203 N-m) and the 1/2-13 GR5 fasteners that attach the brackets to the frame to 75 ft.-lb. (102 N-m). The forward cross member should be left loose until step 17. If vehicle bed was lifted to insert cross member, tighten bolts that attach the bed to the frame.



WARNING The fuel tank and/or other vehicle components are located below some of the holes. A wood or metal shield must be placed between the frame and the fuel tank to prevent puncturing the fuel tank when the drill breaks through the bed.

8. **For 6300/630044 & 8339** use the **center** of the outer slots in the rearward hitch cross member as a template to drill 5/8" diameter holes through the truck bed as shown in Figure 3. Not all holes can be drilled from under the vehicle, but will be done later from inside the bed.

6300 / 630044 / 8339 Hole Locations

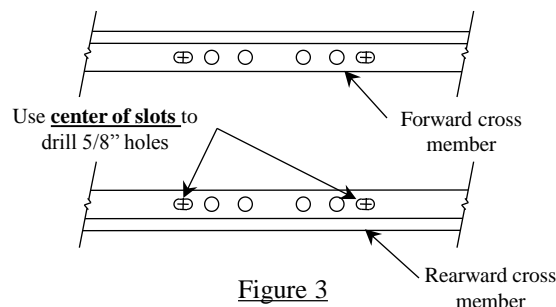


Figure 3

Installation Instructions

Part Numbers:

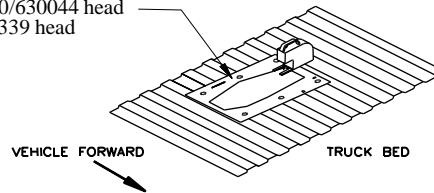
Chevrolet/GMC 1500 Short & Long Beds 1500HD, 2500LD Beds

4454

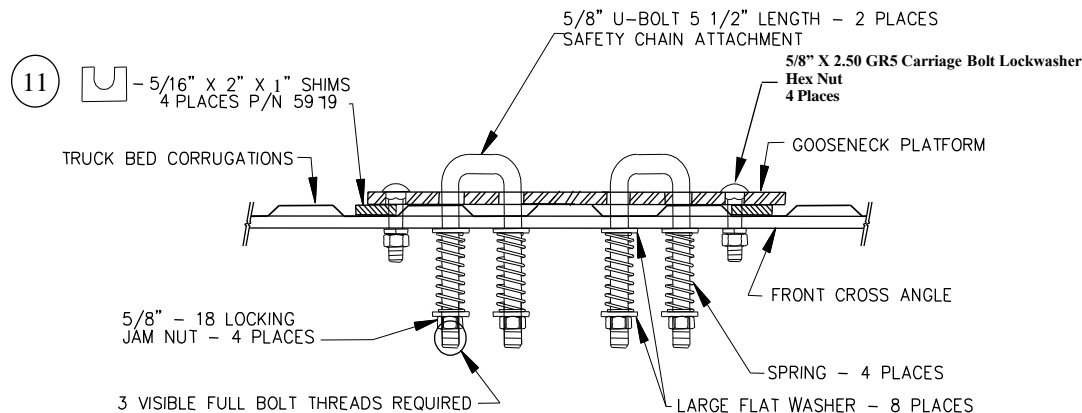
- Align the holes on the template (provided with the gooseneck hitch) with the holes previously drilled through the bed. Be sure that the template is properly oriented toward the front of the vehicle. Center punch the holes that will be used to cut the opening in the bed. If the vehicle is equipped with a bed liner, a section of the bed liner must be cut away so that the gooseneck platform can contact the bed corrugations.

Template p/n 5978 for use with 6300/630044 head
Template p/n 114234 for use with 8339 head

Durable and reusable stainless steel templates are also available. A time saver for cutting bed liner and bed.
Template p/n 6467 for use with 6300/630044 head
Template p/n 6425 for use with 8339 head



- Drill 1/4" pilot holes (size will depend on width of blade in saber saw). Cut out the truck bed and the bed hat section on short bed models from underneath the bed of the vehicle and file edges as needed.
- Install the hitch into the opening.
- Use the hitch as a guide to drill the 5/8" diameter holes for the forward cross member and the U-Bolt holes.



- Before installing the 5/8" carriage bolts through the hitch, the U-block shims (Part Number 5979) must be placed between the hitch and the bed and between the cross members and the bottom of the bed. These shims are necessary to prevent the bed corrugations from collapsing when the bolts are tightened.
- Align the forward cross member with the 5/8 diameter drilled holes.
- Install the 5/8 X 2.50 GR5 carriage bolts through the hitch, shims and cross members. Secure with lock washers and nuts. Torque nuts to 150 ft.-lb. (203 N-m).
- Install the (2) U-Bolts through the hitch and from under the vehicle install the large flat washer over the U-Bolt followed by a spring, another large flat washer and secure with a thin 5/8" jam nut. Repeat for the other legs of the U-Bolts. The 5/8" jam nuts are tightened until (3) threads are visible past the bottom of the jam nut.
- Torque the 5/8 hex nuts, lock washers, and flat washers that attach the brackets to the forward cross member to 150 ft.-lb. (203 N-m).

Installation Instructions

Part Numbers:

Chevrolet/GMC 1500 Short & Long Beds
1500HD, 2500LD Beds

4454

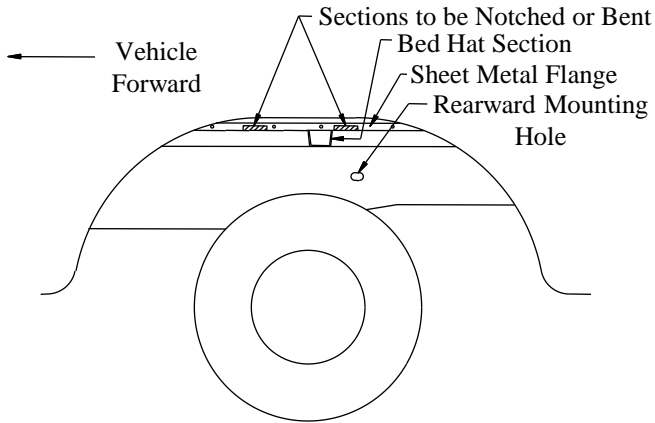


Figure 4a
Short Bed

Remove-A-Ball/Fold Down Gooseneck

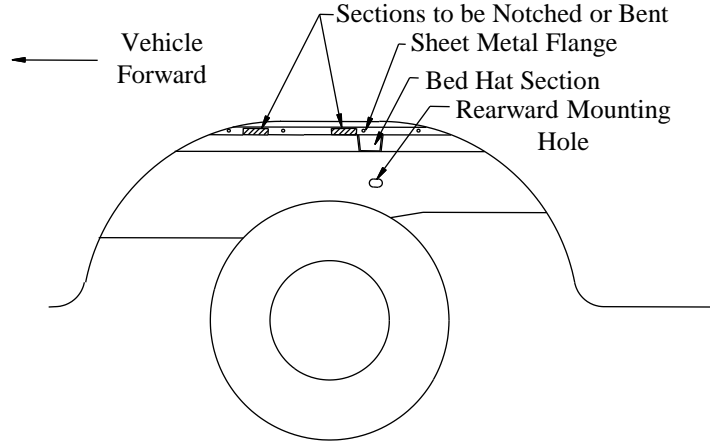


Figure 4b
Long Bed

Remove-A-Ball/Fold Down Gooseneck

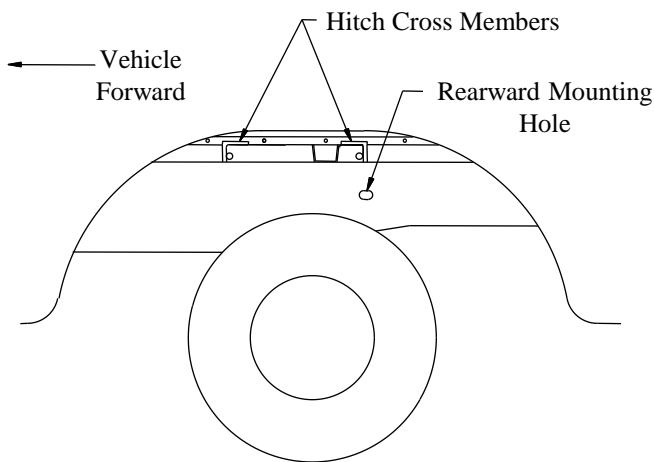


Figure 5a
Short Bed

Remove-A-Ball/Fold Down Gooseneck

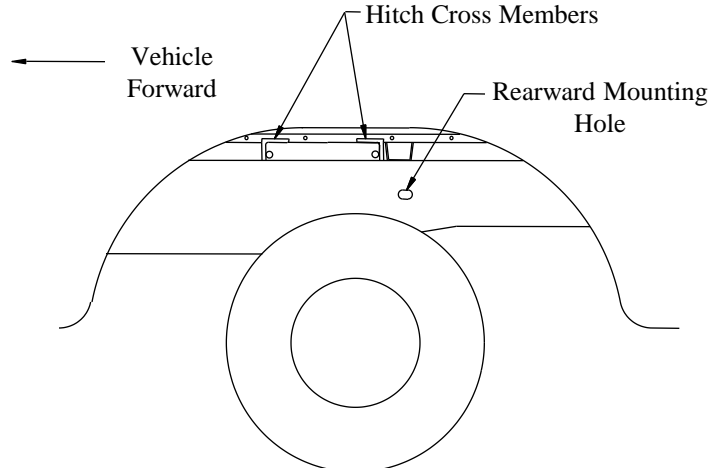


Figure 5b
Long Bed

Remove-A-Ball/Fold Down Gooseneck

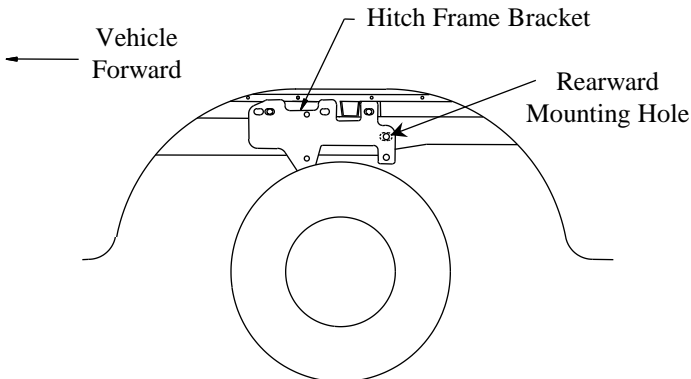


Figure 6a
Short Bed

Remove-A-Ball/Fold Down Gooseneck

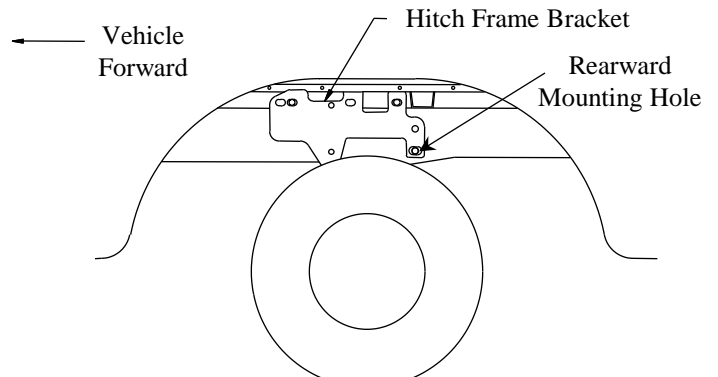


Figure 6b
Long Bed

Remove-A-Ball/Fold Down Gooseneck

LIMITED LIFETIME WARRANTY

Part No: _____

Date of Original Purchase: _____

Original Owner: _____

Original Installer: _____

1. Limited Lifetime Warranty ("Warranty"). Cequent Performance Products, Inc. ("We" or "Us") warrants to the original consumer purchaser only ("You") that the product will be free from material defects in both material and workmanship, ordinary wear and tear excepted; provided that installation and use of the product is in accordance with product instructions. There are no other warranties, express or implied, including the warranty of merchantability or fitness for a particular purpose. This warranty is not transferable.

2. Limitations on the Warranty. This Warranty does not cover: (a) normal wear and tear; (b) damage through abuse, neglect, misuse, or as a result of any accident or in any other manner; (c) damage from misapplication, overloading, or improper installation; (d) improper maintenance and repair; and (e) product alteration in any manner by anyone other than Us, with the sole exception of alterations made pursuant to product instructions and in a workmanlike manner.

3. Obligations of Purchaser. To make a Warranty claim, contact Us, at our principal address of 47912 Halyard Dr. Suite 100, Plymouth, MI 48170, 1-888-521-0510, identify the product by model number, and follow the claim instructions that will be provided. Any returned product that is replaced by Us becomes our property. You will be responsible for return shipping costs. Please retain your purchase receipt to verify date of purchase and that You are the original consumer purchaser. The product and the purchase receipt must be provided to Us in order to process Your Warranty claim.

4. Remedy Limits. Product replacement is Your sole remedy under this Warranty. We shall not be liable for service or labor charges incurred in removing or replacing a product or any incidental or consequential damages of any kind.

5. Assumption of Risk. You acknowledge and agree that any use of the product for any purpose other than the specified use(s) stated in the product instructions is at Your own risk.

6. Governing Law. This Warranty gives You specific legal rights, and You also may have other rights which vary from state to state. This Warranty is governed by the laws of the State of Michigan, without regard to rules pertaining to conflicts of law. The state courts located in Oakland County, Michigan shall have exclusive jurisdiction for any disputes relating to this Warranty.

Hide-A-Goose Installation Instructions

Part Numbers:
9465/9475

**Do Not Exceed Lower of Towing Vehicle
Manufacturer's Rating or**

**30,000 LB (13620 Kg) Max Gross Trailer Weight (GTW)
7500 LB (3405 Kg) Max Tongue Weight (TW)**

Equipment Required:

Fastener Kit: 58320 and 58321

Wrenches: 3/4", 15/16"

Drill Bits: 3/16", 9/16", 3 1/2" Hole Saw

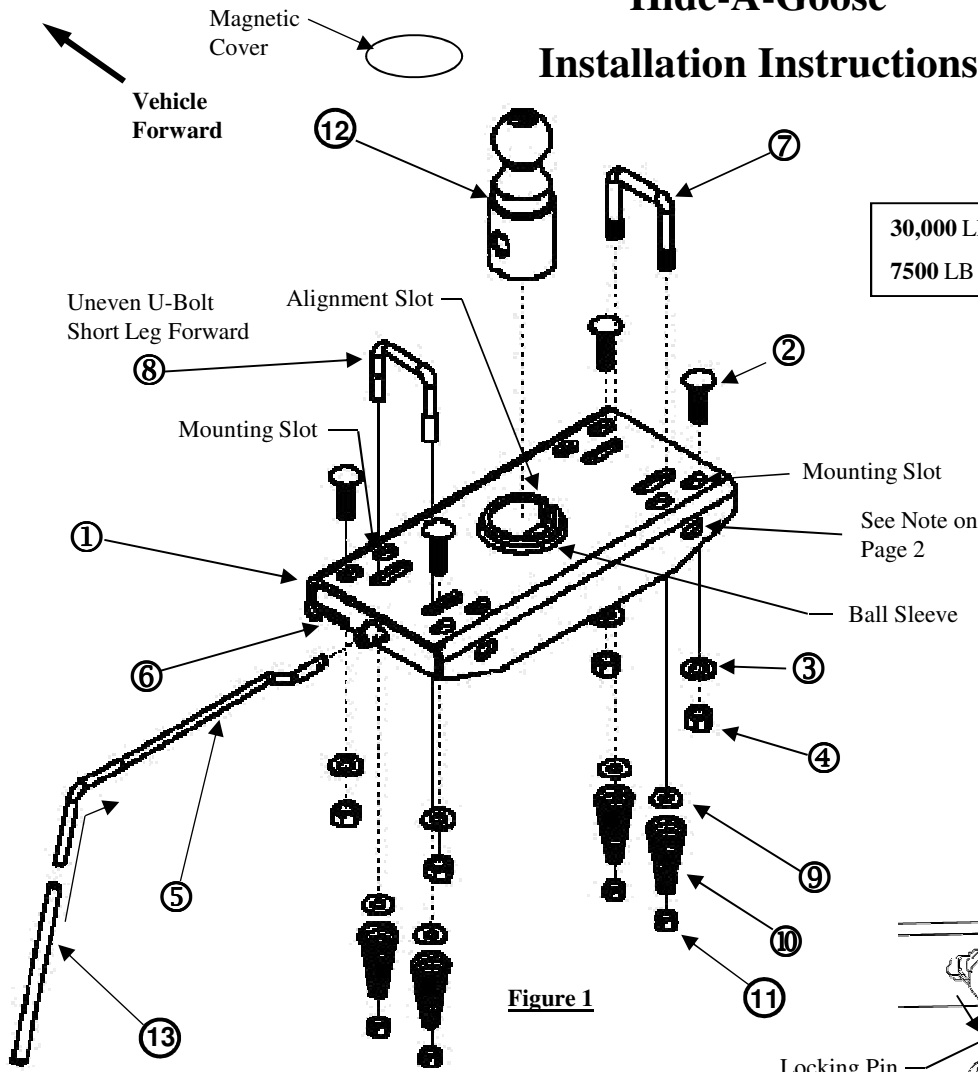


Figure 1

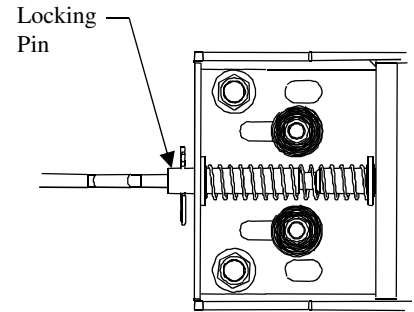


Figure 2

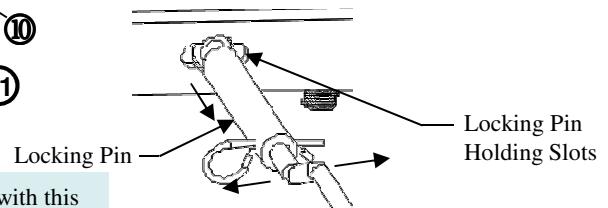


Figure 3

A brand label, either *Draw-Tite* or *BullDog*, is supplied with this hitch. After installing mounting kit to truck frame peel and apply this label to surface of frame bracket.

IMPORTANT!

This product is intended to be used with Cequent Performance Products manufactured mounting kits. If the Gooseneck hitch installation is made with Cequent manufactured mounting kits, the installation instructions for the Gooseneck hitch are included as part of the mounting kit installation instructions. Give this installation instruction to vehicle owner after installation is complete.

General instructions for fabricated support structures.

IF CEQUENT PERFORMANCE PRODUCTS MANUFACTURED MOUNTING KITS ARE NOT USED, THIS PRODUCT BECOMES A GENERAL APPLICATION PRODUCT. IT IS THE RESPONSIBILITY OF THE INSTALLER TO SELECT STRUCTURALLY SAFE MATERIALS AND LOCATIONS FOR ATTACHMENT. INSTALLATION INFORMATION FOLLOWS.

①	Qty. (1)	Head	⑧	Qty. (1)	1/2" Uneven U-Bolt, 2-1/2" and 3" Legs
②	Qty. (4)	5/8" -11 X 2.00 Grade 8 Carriage Bolt	⑨	Qty. (4)	1/2" Flat Washer
③	Qty. (4)	Conical Toothed Washer	⑩	Qty. (4)	U-Bolt Spring
④	Qty. (4)	5/8"-11 Hex Nut	⑪	Qty. (4)	1/2"-13 Lock Nut
⑤	Qty. (1)	Handle	⑫	Qty. (1)	2-5/16" Ball
⑥	Qty. (1)	Spring Clip	⑬	Qty. (1)	Vinyl Handle
⑦	Qty. (1)	1/2" U-Bolt, 3" Legs			

Tighten all 5/8 grade 8 fasteners with torque wrench to 210 Lb.-Ft. (285 N*M)

Tighten all 5/8 grade 5 fasteners with torque wrench to 150 Lb.-Ft. (203 N*M)

Note: check hitch frequently, making sure all fasteners and ball are properly tightened. If hitch is removed, plug all holes in trunk pan or other body panels to prevent entry of water and exhaust fumes. A hitch or ball which has been damaged should be removed and replaced. Observe safety precautions when working beneath a vehicle and wear eye protection. Do not cut access or attachment holes with a torch.

Installation Instructions

Part Numbers:
9465/9475

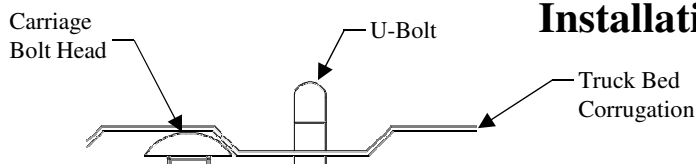


Figure 6

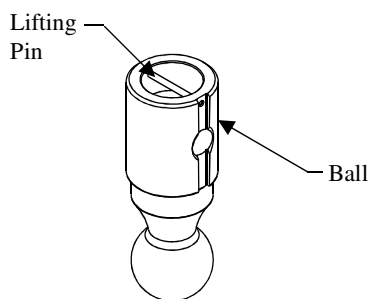


Figure 5

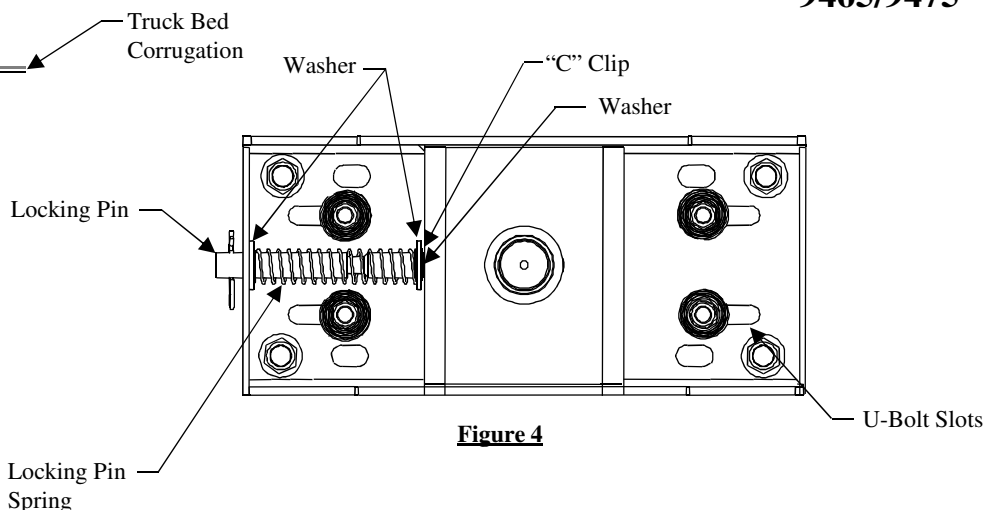


Figure 4

- The following guidelines must be followed before installation begins:
 - The hitch ball must be located along the truck's fore/aft centerline.
 - The hitch ball centerline must be located above and forward of the rear axle of the truck.
 - Adequate clearance must be provided between the gooseneck trailer and the rear of the vehicle so that the gooseneck trailer does not contact any part of the truck during turning.
 - Adequate clearance must be provided between the forward corners of the gooseneck trailer and the cab of the truck.
 - Determine that the ball position and under vehicle supports do not interfere with any vehicle cross members, brake lines, electrical wiring, cables, fuel lines or vents.
 - Install under bed supports with (4) vertical 5/8" bolts in rails.
 - With hitch ball center marked on the truck, center punch and drill 3/16" pilot hole, recheck all clearances, then open the 3/16" hole with a 3 1/2" hole saw. File edges as needed.
 - Lift head into position.
 - Use the 5/8" conical toothed washers and hex nuts to install the head. Do not tighten completely at this time.
 - Align ball sleeve on head, with the 3-1/2" hole in bed and tighten 5/8" fasteners.
 - Using the U-bolt slots as a guide, drill four 9/16" holes in the bed. These holes must be in a lower bed corrugations to limit the amount of U-bolt showing above the bed (see figure 6).
 - Touch up the drilled holes with paint.
 - Install the U-Bolts from the inside of the bed (see figure 2).
- NOTE: On Chevy/GMC 2500/3500 trucks, install the U-Bolt with the uneven legs on the driver's side with the short leg forward to allow extra room for fuel tank and components.**
- From under the truck, install the 1/2" flat washers, U-Bolt springs, and 1/2" lock nuts (see figure 1 and 2). Tighten nuts so a minimum of 3 threads are showing passed the nuts.
 - With the ball in the stored position (see figure 5). Check for clearance between ball and truck equipment (I.E. differential, brake lines, electrical lines, and others) by measuring from axle up to rubber bumper stop and from ball to nearest item. If insufficient space is present, inform customer not to store ball in the head when carrying heavy loads. The axle to the rubber bumper stop distance should be less than the ball to nearest item.
- NOTE: If not installing head on Towing Products manufactured mounting kit, secure the hitch to your mounting system using the four holes in the front and back of the hitch and four 5/8" (grade 5) bolts (not provided). See figure 1. This is in addition to the four vertical bolts provided in the kit and will allow you to obtain the maximum head rating of 30,000 Lb GTW / 7500 TW Lb.**

AFTER SYSTEM INSTALLATION AND BEFORE TOWING:

Connect trailer to the tow vehicle following coupler manufacturer's operating instructions.

The coupler must be adjusted to provide about 6" of clearance between the bottom of the trailer nose and the top of the pickup bed sides. Slowly back the trailer to a jackknifed position to the tow vehicle while checking to see there is adequate clearance between the gooseneck trailer and the rear of the vehicle. Also check to see there is adequate clearance between the forward corners of the gooseneck trailer and the cab of the truck. Slowly jackknife the truck and trailer in the opposite direction and check the clearances to the end of the truck and the cab.

GOOSENECK MAINTENANCE

-Use magnetic cover to keep assembly free of dirt and debris. Lubricate hitch ball monthly or as needed with heavy grease. Lubricate ball tube with heavy grease when ball is installed and/or removed. Lubricate locking pin monthly or as needed with spray-on penetrating oil. Check bolt torque monthly. Check equipment before towing for worn or damaged parts. **REPLACE WORN OR DAMAGED PARTS IMMEDIATELY.**